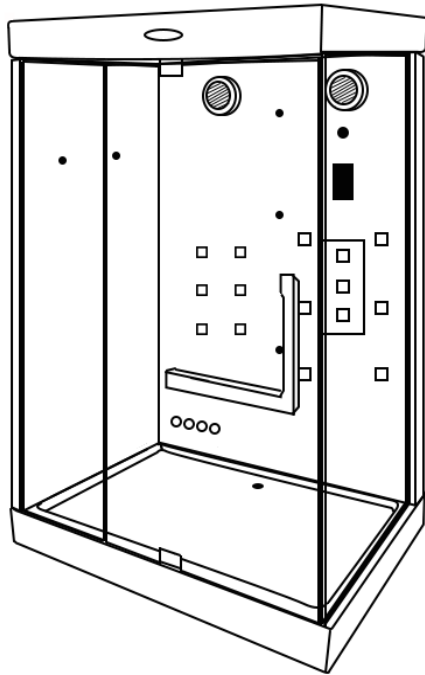




www.insigniarange.co.uk

INSTALLATION MANUAL

RS200



30 Day Technical Support: 01908 226545

(NOTE: This service is only available to customers from the day of delivery, please have your supplier's details and your postcode to hand before calling)

Email: customerservice@insigniarange.co.uk

Replacements Parts: inside of your warranty contact:
www.insigniarange.co.uk/customerService.aspx

Spares/Replacements Parts: outside of your warranty
contact **0844 800 3069**

ATTENTION INSTALLERS:

These instructions must be
left with the customer

WARRANTY REG NO: _____

to claim your full 2 year warranty, register your shower within 90 days at: www.insigniarange.co.uk/warrantyreg.aspx

Contents

Introduction	3
Requirements	5
What's In The Boxes?	6
Screw Pack Contents	7
Plumbing Requirements	8
Starting The Installation	9
Adding the Accessories	20
Sealing and Water Testing	25
Control Panel	26
Help Book Information	27



Thank you for your recent purchase of an Insignia shower. Please read this booklet with great care to ensure you get the best out of your build and have a shower that will last for many years to come!

Like everything, in order to obtain a first class product that will serve you well for many years, the effort and correctness put into the assembly will reflect in the quality of your finish.

OUR BADGE RATING IN TERMS OF DIFFICULTY OF ASSEMBLY IS BASED ON CLIENT FEEDBACK

1 Badge = Very easy

2 Badges = Easy

3 Badges = Moderate

4 Badges = Harder than average

5 Badges = Professional skills required

This shower is rated 5 Badges



ASSEMBLY AND SIMPLE PLUMBING

THIS PRODUCT BUILD IS RATED SUITABLE FOR DIY PURPOSES PROVIDING THE CUSTOMER IS OF ABOVE AVERAGE SKILLS AND FEELS CONFIDENT IN THEIR ABILITY. ONLY YOU THE CUSTOMER WILL KNOW THIS SO BEFORE ANY ATTEMPT IS MADE TO ASSEMBLE READ THROUGH THE FOLLOWING PAGES IN DETAIL THEN DECIDE. IF YOU HAVE ANY DOUBT USE THE SERVICES OF A PROFESSIONAL. IN PICKING SUCH, ALLOW THEM TO DECIDE IF THEY ARE CAPABLE OF BUILD BY FIRST SHOWING THESE INSTRUCTIONS TO THEM. ALWAYS GET THREE QUOTES.

REMEMBER THE BEST IS NOT ALWAYS THE CHEAPEST!

REMEMBER PLUMBERS PLUMB! 90% OF THIS JOB IS NOT PLUMBING!

DUE TO THE NATURE OF THIS PRODUCT WE HIGHLY ADVISE THE PURCHASE AND FITTING OF A WATER SOFTENER

ELECTRICAL CONNECTION TO HOUSE MAINS

WHEN YOUR ITEM IS ASSEMBLED ALWAYS USE THE SERVICES OF A FULLY QUALIFIED ELECTRICAL COMPANY TO COMPLETE CONNECTION FROM SHOWER TO HOUSE SUPPLY. LAWS DEMAND IN MANY CASES YOU DO THIS AND YOUR WARRANTY IS VOID REGARDS ELECTRICAL ITEMS IF THIS IS NOT UNDERTAKEN.

YOURS AND OTHERS SAFETY IS PARAMOUNT. NEVER ATTEMPT THIS YOURSELF.

REMEMBER:

These showers are designed to be free standing and movable from their location should you have need to replace anything. ALWAYS USE Flexible braided water inlet pipes at least a metre long (not central heating plastic type!)

from house supply to the shower and again flexible waste pipe to join to your house waste. NEVER fix with rigid pipes, never fix the unit to the wall.

DURING BUILD, LIKE ALL SHOWERS CORRECT SEALING IS IMPERATIVE.

ATTENTION

ALWAYS FIT EASY TO GET TO TAPS ON BOTH HOT AND COLD WATER SUPPLY. AS A DISHWASHER OR WASHING MACHINE, THIS PRODUCT MUST BE ISOLATED WHEN NOT IN USE. FLEXI SUPPLY HOSES (SUPPLIED) COUPLE HERE AS ORIGIN OF SUPPLY

Requirements



Flat head screwdriver



Scissors



Stanley Blade



Silicone Gun



Spirit Level



Tape Measure



Philips Screwdriver



Electric Drill

Whilst the next steps show you how to assemble your shower we want to make sure you have a correct build to ensure you get a trouble free shower. Therefore our advice is to follow the instructions and perform a dry run to ensure you are confident with the build and you understand fully how the unit is assembled. When we use the word "DRY RUN" this means you do not silicone anything, just simply construct the shower, align, drill and screw everything together. Once you are happy with the build take the unit apart and carry out the final fix.

What's In The Boxes?

Tray Box

1x Tray

1x Roof

Glass Room

4x Door seals (one pre-cut for the bottom)

2 magnetic door seals

Glass door

Glass Side panel

Fixed front Glass Panel

Backwalls

Back Wall

Side Wall

In addition to above you will have all the required internal accessories to complete the shower.

Insignia Screw Pack

Product Code	Description	Quantity
	Door Handle	1
	Door Hinges	2
	(4mm Allen key)	1
ST33	33mm Screws	4
ST17	17mm Screws	20
ST27	27mm Screws	20
ST48	48mm Screws	5
	10mm nut	5
	46mm Bolt	2
DB3	Drill Piece (3mm)	1
DB5	Drill Piece (5mm)	1
	Washers	30

Note: In some cases you may have more screws than needed, this is done so you have spares!

VERY IMPORTANT

Have you got everything? If not please contact the Insignia Support Line on 01908 226545. Remember **NEVER** book your tradesman until everything has arrived, been checked and is present. No replacement/missing parts can be obtained free of charge during or after the build. Any claims can only be within the timescale permitted (48 hours after delivery) and always **BEFORE** build.

Pressure Requirements from your house supply

We recommend a bar pressure between 2 and 3.4 BAR. If you have a combi boiler system no problem should be experienced. If you have a gravity feed older type installation (hot water tank type usually less than 1 bar) you will almost certainly need a pump. We cannot advise on which type of pump is used, location or design because all house plumbing layouts vary. This is a job for your installer/plumber. The end delivery however must fall within the scope above.

Debit Requirements

You will need the debit capabilities of at least 10 litres per minute. Again an average combi boiler will supply this but please check if you have a gravity feed system.

Important Note Do not exceed 3.4 BAR pressure under any circumstances. Warranty is void if so as damage will occur. If you have a combi supply, please use a pressure reducing valve if required to lower the BAR pressure to the shower.

Please Remember that this product is free standing and is designed to be pulled away from the wall. The water supply and waste require flexible pipes. If you purchased the fitting kit with this shower you will have the required fittings. The water supply pipes need to be at least 1 metre in length and must be that of a flexi braided type.

Please note if a shower pump is used via gravity system we recommend a separate cold feed bypassing pump direct to generator to avoid damage to the generator.

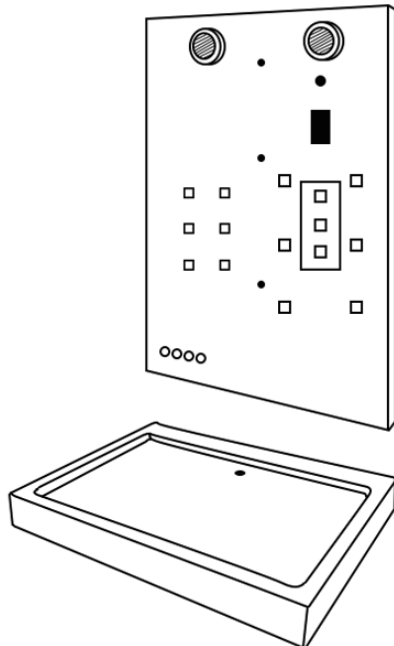
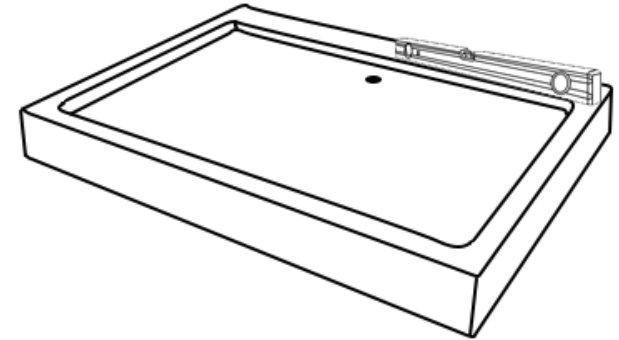
Further to this as you would with a washing machine or dishwasher, it is highly recommended that accessible water valve taps are installed to turn off the shower when not in use. This will avoid any possible flooding due to a burst pipe or connection failure in the future.

TO START

Make sure you have a clear space, remember when finished and in place you need access to check your build and able to pull the shower out for servicing or should you have the need to replace anything!

Take the shower tray and remove all the protective wrapping and fit the waste. If you purchased the fitting kit it is possible this may have already been fitted in the tray hole yet please note this is only for transportation reasons therefore you will still need to ensure the correct sealing and alignment is carried out. In the side of the waste supplied in the optional fitting kit you will notice a spigot not seen on an ordinary waste. In most cases this is blanked yet should you have a steam version you need to gently drill this out as this item is for the steam generator drainage and will be connected in the instructions later.

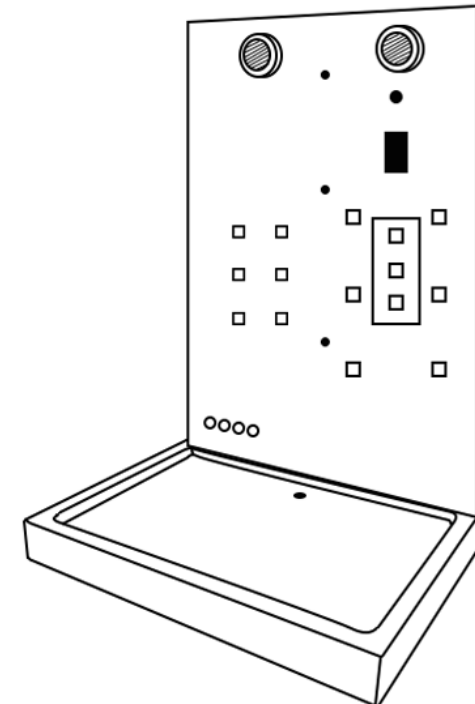
Now please level the tray by firstly placing the tray in its final location and then using a spirit level, adjust the tray feet accordingly. Once you are happy with the levelling of the tray, you can pull it out to begin the main construction.



Step 1

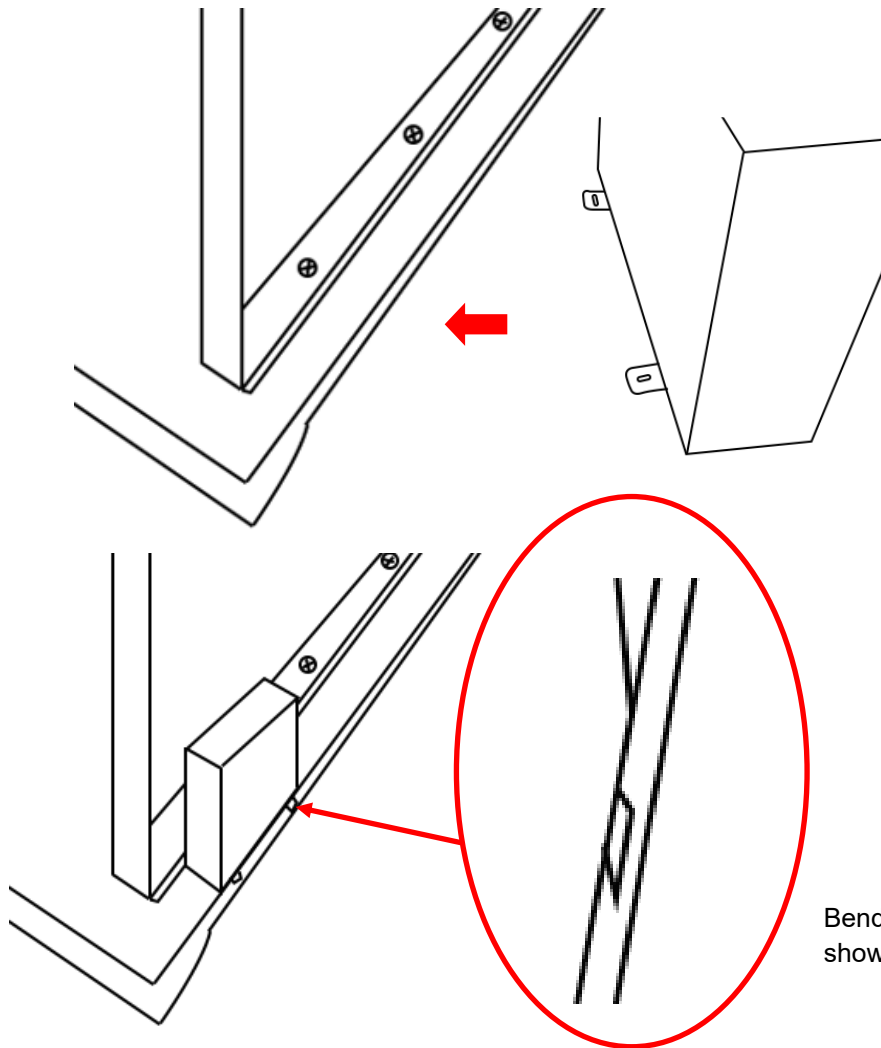
Now your tray is level, get the back panel and line it up with the back of the tray (the side with the waste).

Please note the side wall, and glass wall are interchangeable, so leave space for the wall on the side you wish it to be.

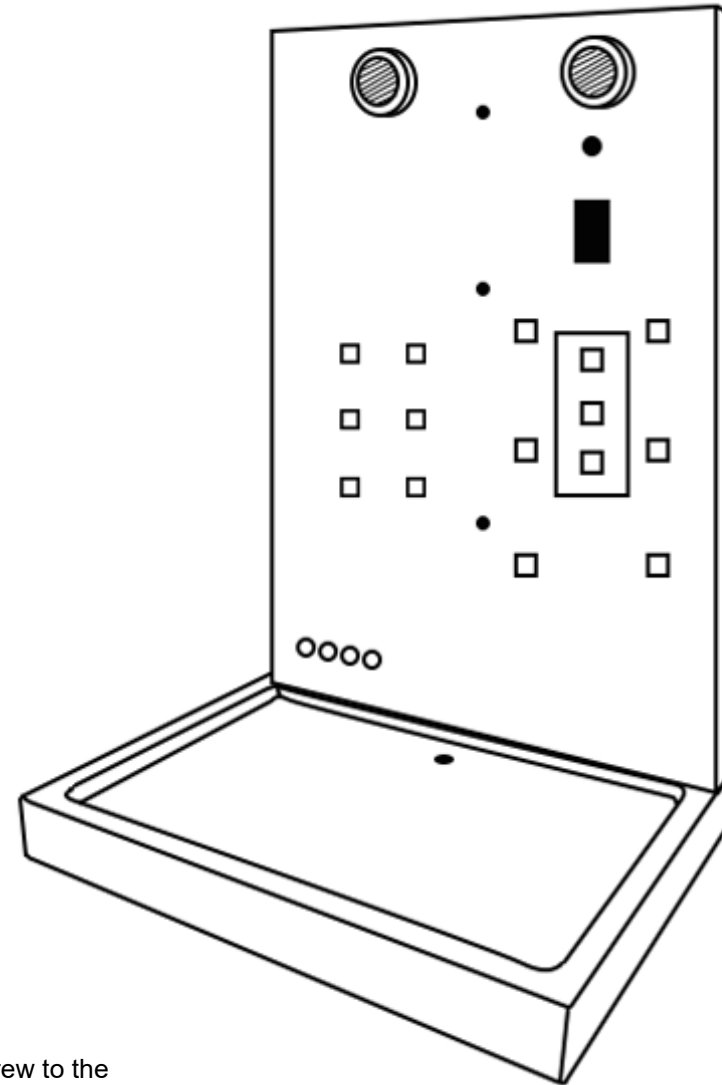


Step 2

Now align the back walls to the tray and once you are happy with the alignment, screw to the tray using the **ST27** screws from the back. Adding your steam generator at this point is the simplest way of securing it. Simply locate the two tabs on the steam generator under the back wall. On the other side, you can gently bend the other 2 tabs over the lip of the tray and screw using some of the **ST17** screws provided which will secure it in place.

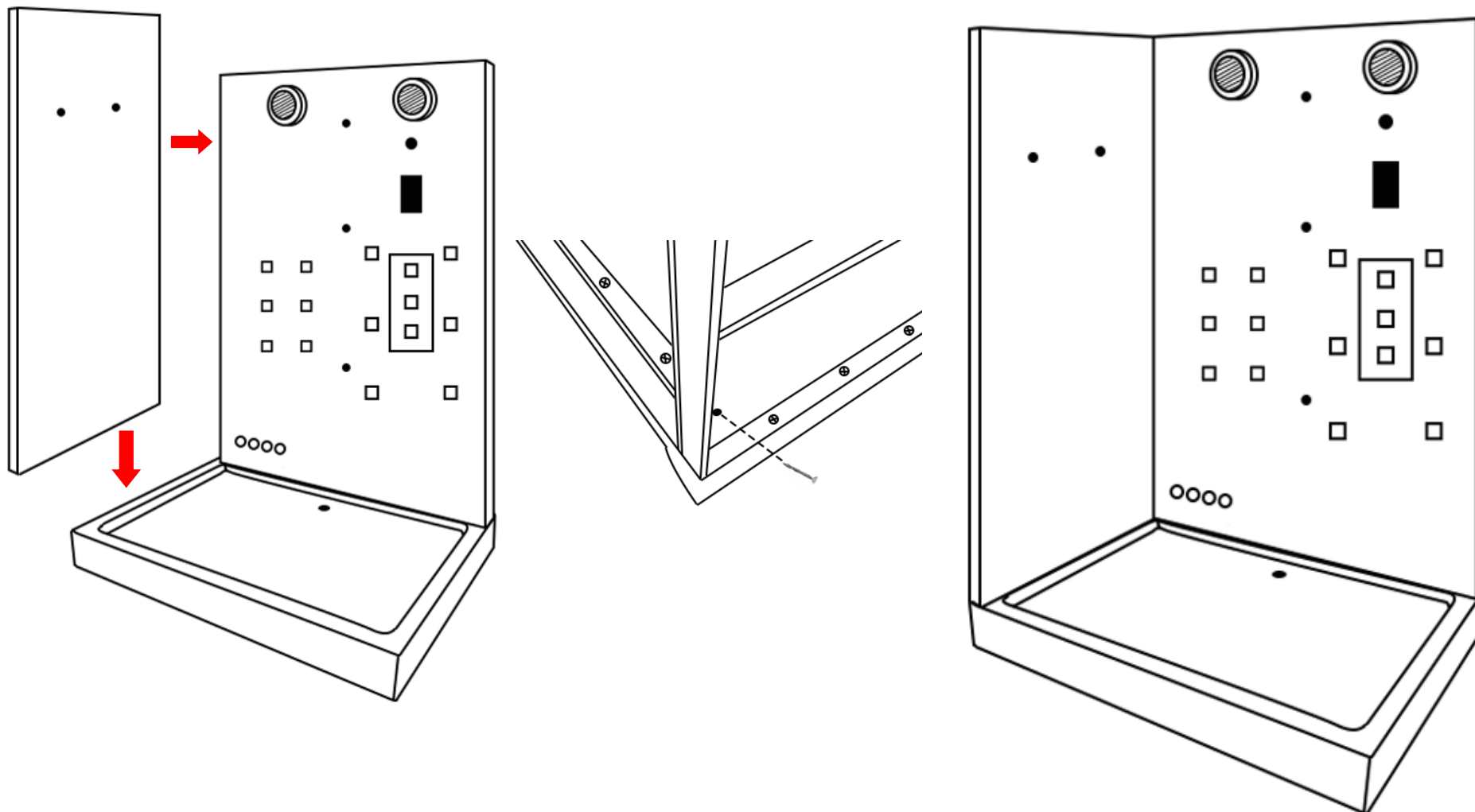


Bend down tabs and screw to the shower tray.



Step 3

The side wall is next, and this can go either side, as mentioned in step one. Place the wall in place, and screw to the back wall first using the **ST48** screws provided. Then connect to the tray using the **ST27** screws you used in step 2.

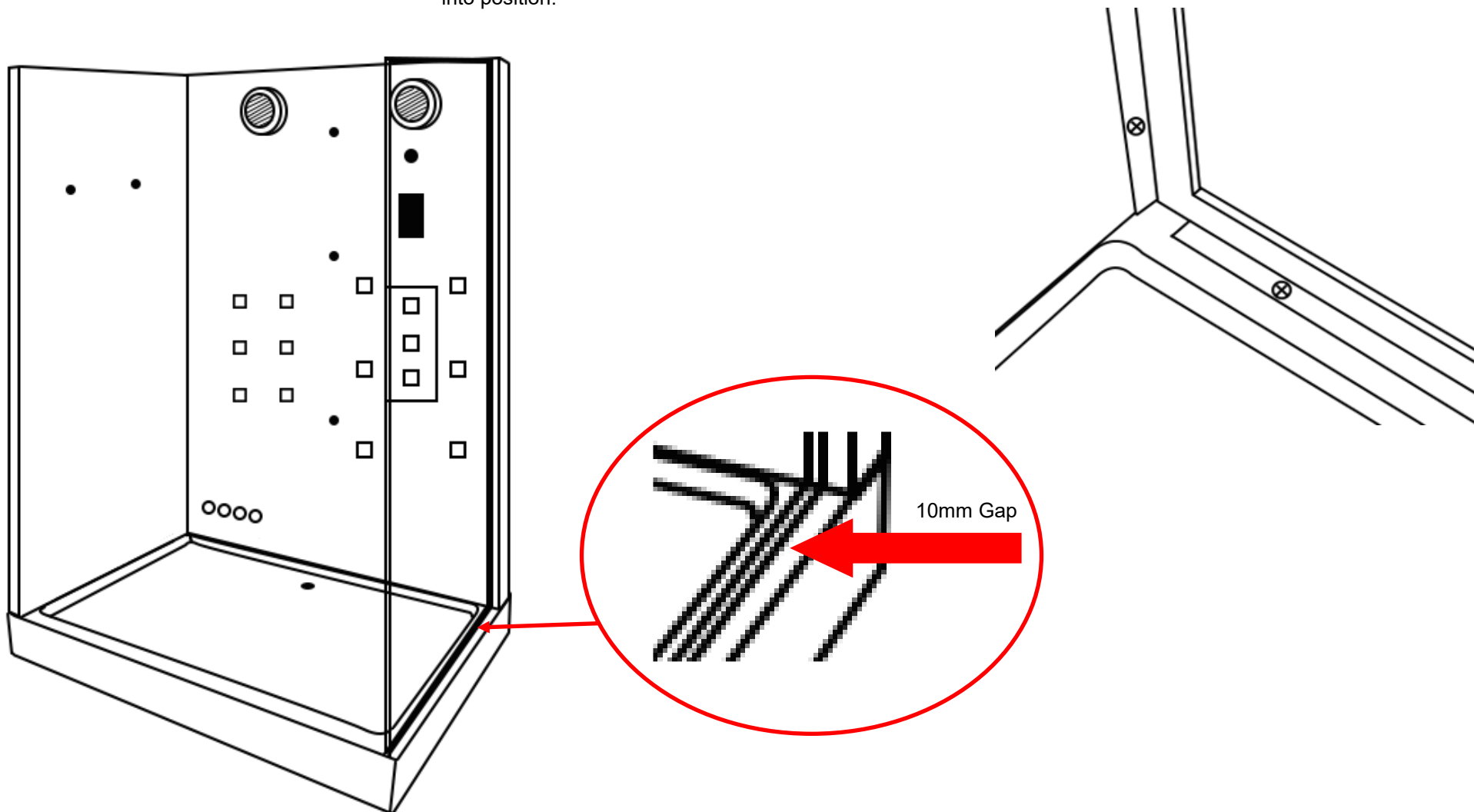


Step 4

Next it is time for the fixed glass side wall.

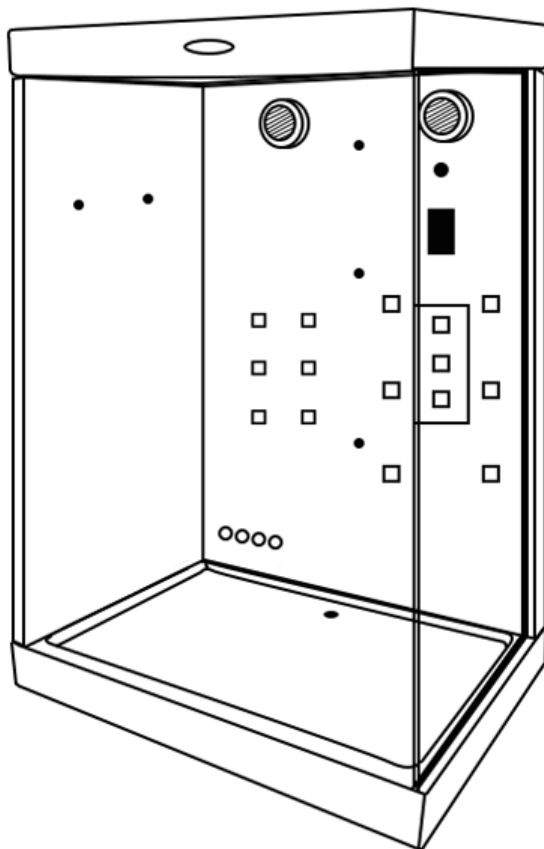
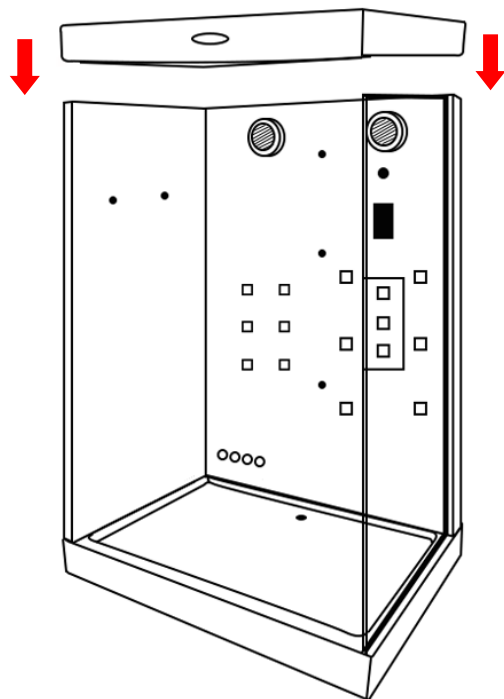
IMPORTANT

You need to set this glass panel in 10mm from the side of the tray. This is because when you fit the door and fixed front glass, you get a nice tight fit to avoid leaking. It is also important to note that the screw skirts on the glass go on the inside of the cabin. Use the **ST17** screws provided to secure the side glass wall into position.

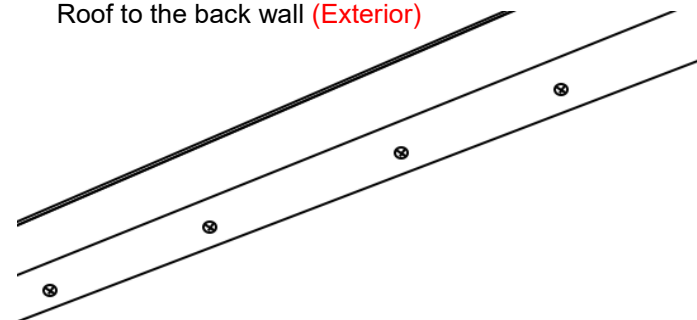


Step 5

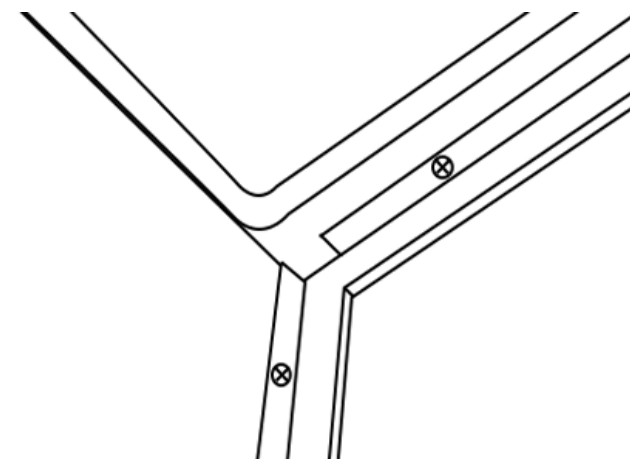
Placing the roof in position. Step inside the shower cabin and align the roof up. Once aligned, fasten the back wall and side wall to it using the **ST27** screws provided from outside the cabin. Then fasten the glass wall from the inside using the **ST17** screws.



Roof to the back wall (Exterior)

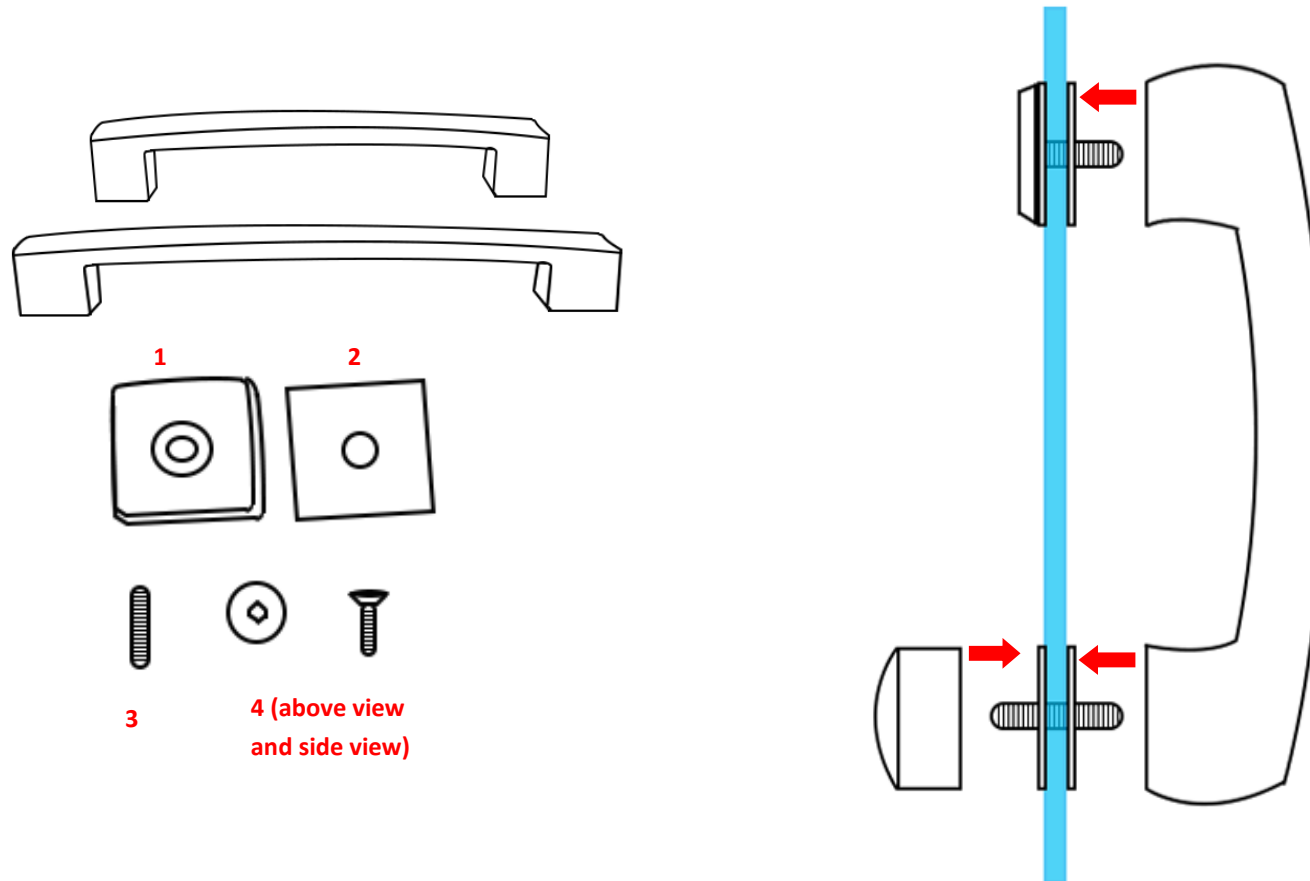


Glass wall to the roof (Interior)



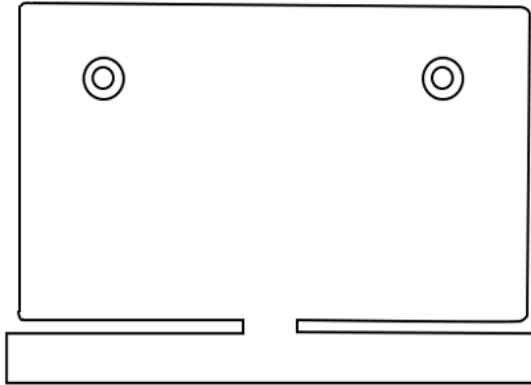
Step 6

Next on the list is the door. But before you can attach the door, you need to attach the fittings to the door. There are 2 door hinges, one for the top, and one for the bottom, where the glass has been cut out, and also the door handle. You want the door handle on so it can assist you in the lifting of the door. The door handle comes with two attachments, and these can go either way. One faces out of the shower, and the other inside the shower. One is longer, which is designed as a towel rail. The holes are cut out of the door for this so locating where each bit should go is simple. Two of these ends screw together with the double ended screw as shown (3). A plastic washer (2) goes in between these to keep the integrity of the glass. Then the other two fittings have a screw and a cap which can be tightened with the Allen key provided (1 & 4).

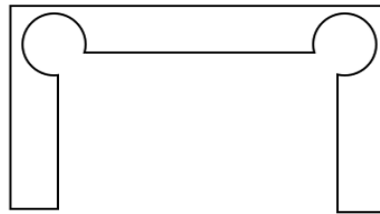


Step 6 (continued)

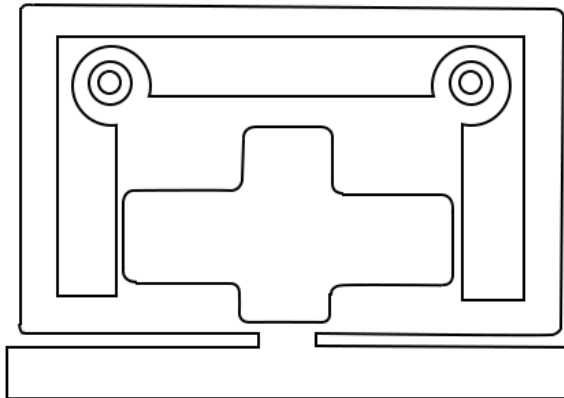
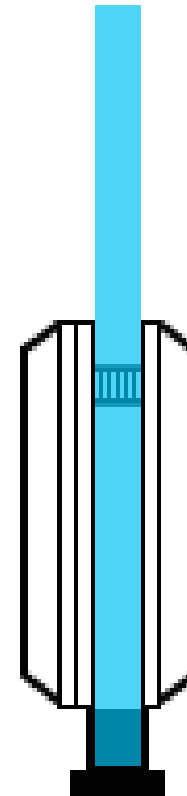
Attaching the hinges to the door. You will see at the top and bottom of the door, some grooves have been cut out of the glass. This is by design, and is where the hinges fit. To fit the hinges you need to undo the screws with the Allen key provided. This makes the hinge come apart. The bolts are designed to go on the inside, and the clear hinge case on the outside. On the inside of the hinge there are 3 plastic gaskets. You put two on the outside of the door and one on the inside.



View of hinge exterior



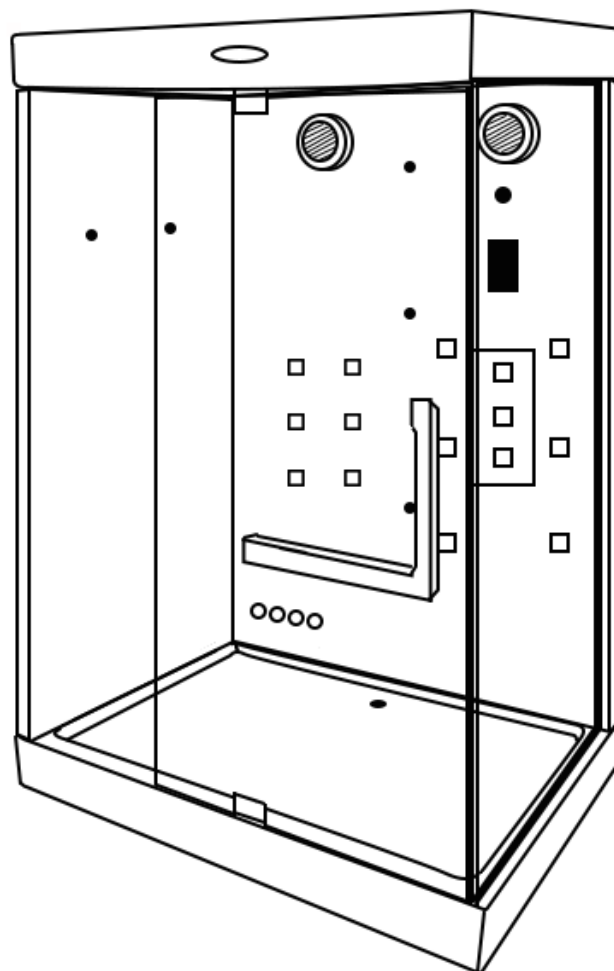
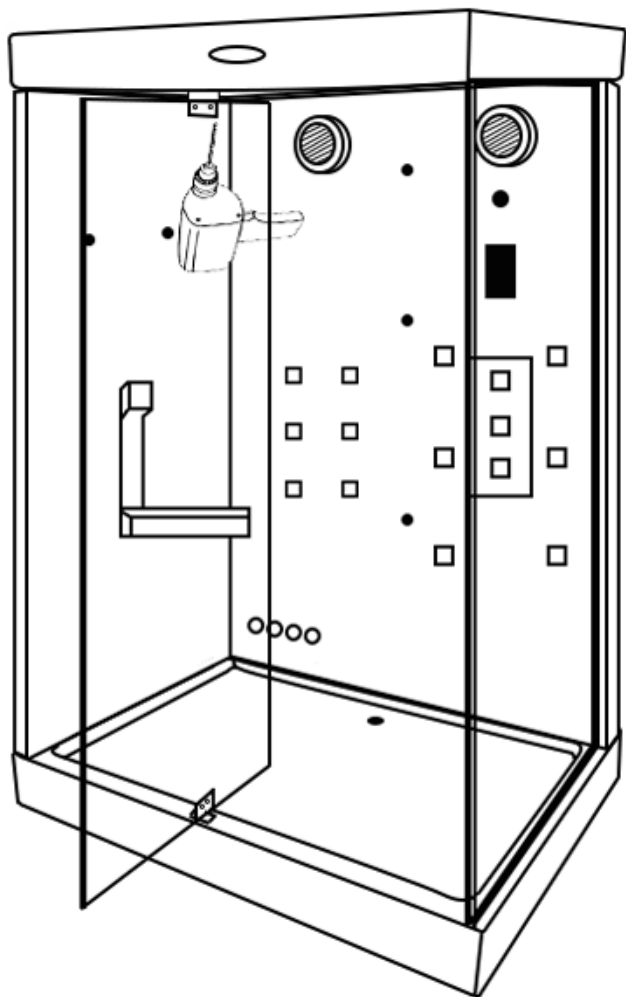
Inside plastic gasket



View of hinge interior

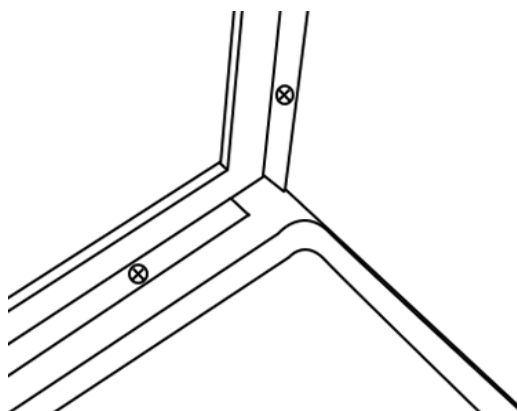
Step 7

Attaching the door. This is a tricky process. You need to align the door correctly within the cabin. We suggest you take your magnetic door seal strips, and apply them, one to the edge of the door, and the other to the side glass wall. Once you have done this, you know where the door needs to be screwed in so the magnets meet comfortably and close. Once in position, you are going to need to make a mark on the base and roof of where the hinges are. This is because to fit the hinges, the door needs to be open, and the possibility of it slipping out of place is extremely high due to it's weight. Once you have opened the door, you need to use the 3mm drill bit provided to create your holes in the roof and base of the shower. Do this for the four holes required, two in each hinge. After this you use the **ST33** screws provided in your door hinge box to secure in to place.

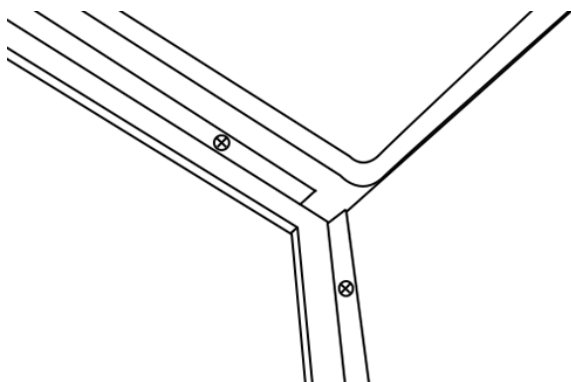


Step 8

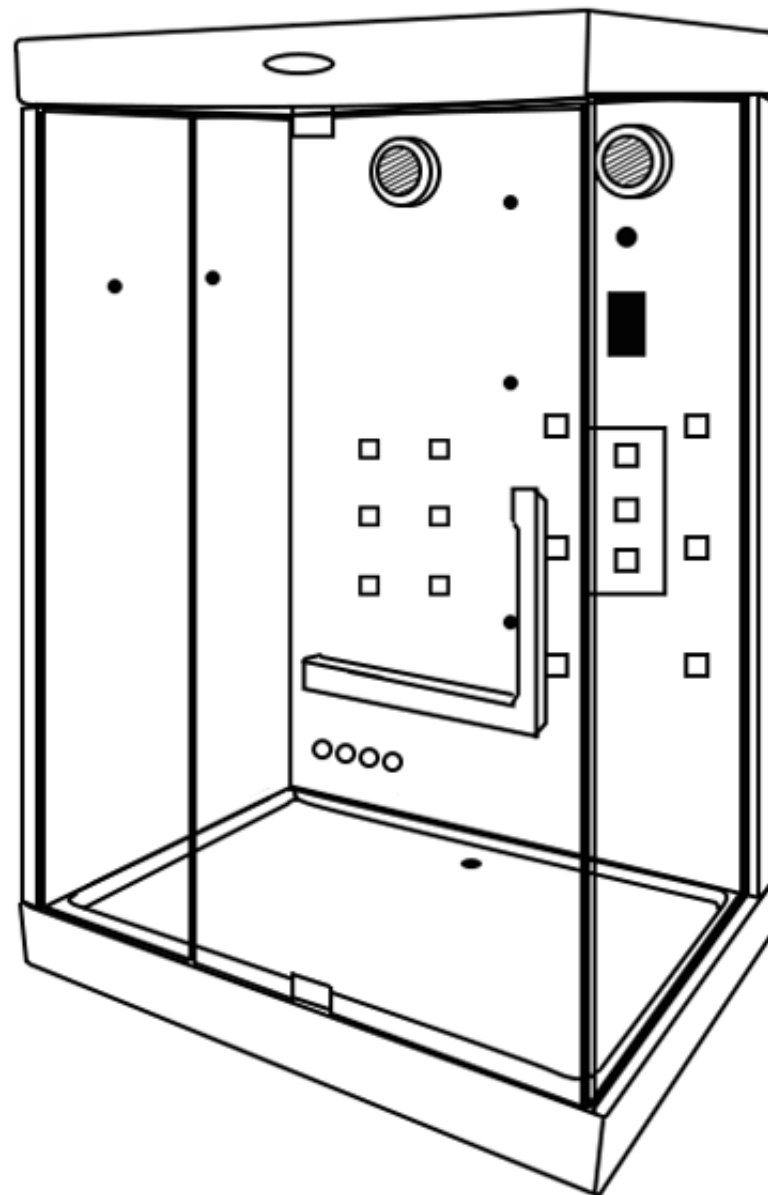
Now the door is in place and secure, you can fit the front fixed glass panel. Simply line up with the door, and fix to the side wall, tray and roof using the **ST17** screws provided. As you do this, silicone down the side and along the top and bottom.



Fixed front glass to the base and side wall (Interior)

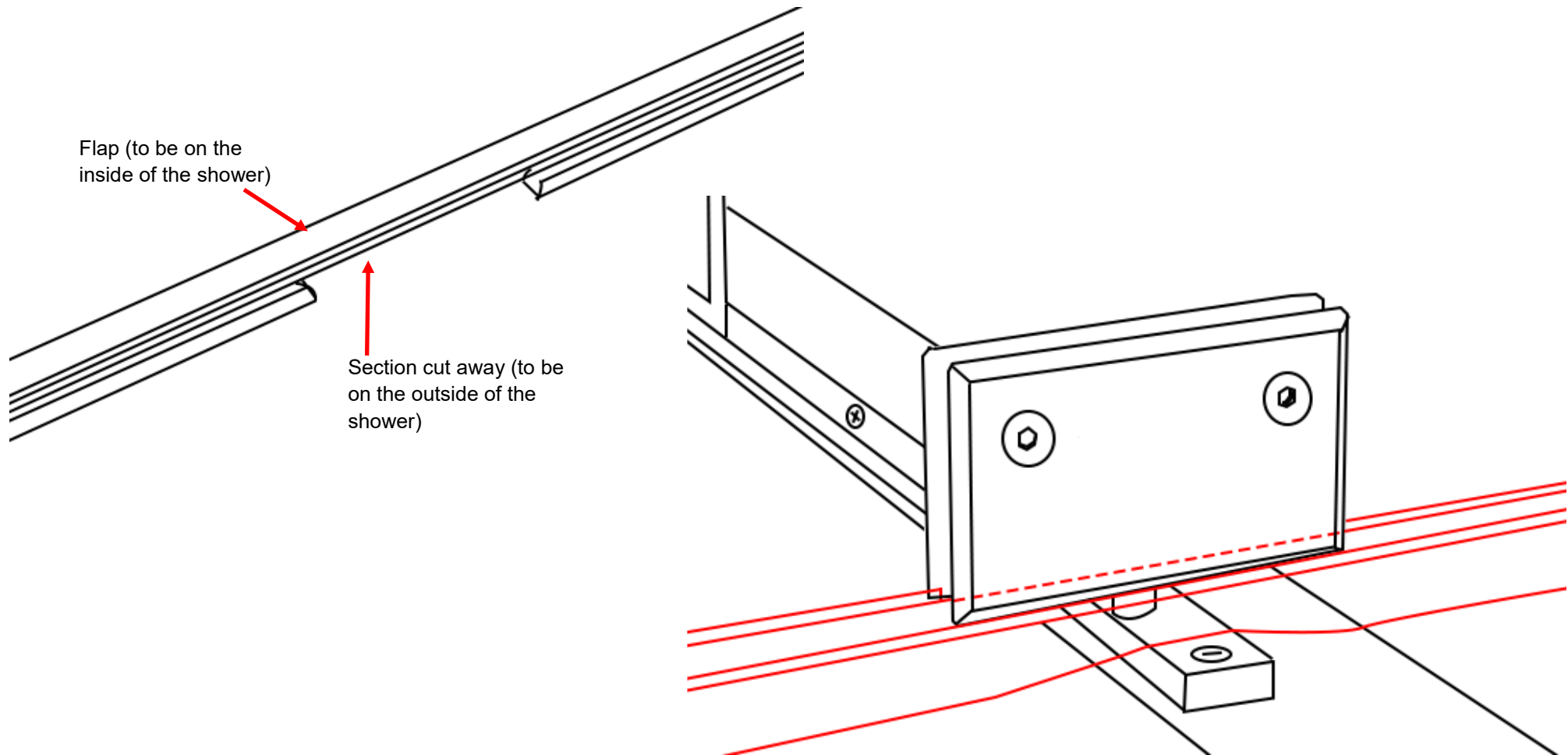


Fixed front glass to the roof and side wall (Interior)



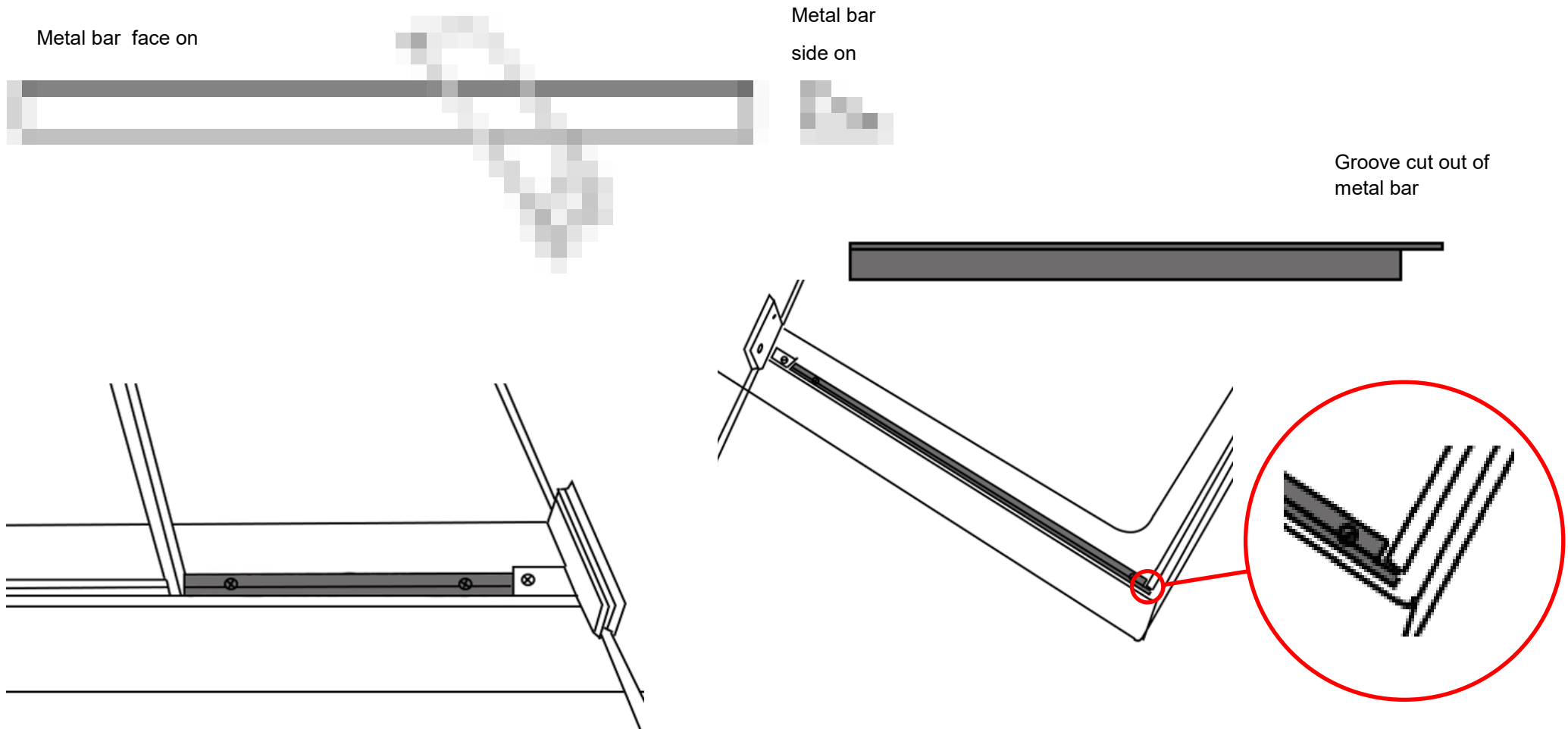
Step 9

Fitting the door seals. The seal for the bottom of the door will have a section which has been cut away. This is because you have the bracket and the hinge to think about. The part which has been cut out is the length of the bracket. To attach the door seal, all you need to do is slacken off the door bracket ever so slightly, just enough to fit the door seal all the way across the base of the door, securing it in place using the bracket from the inside of the shower. Once you have applied this you can tighten the door bracket again. The section which has been cut away is designed to be on the outside panel of the door because of the hinge and range of motion required. On the diagram which shows the seal on the door, the seal has been sketched in red so you can see the positioning more clearly. Also the dashed red line shows where the seal is positioned, but secured in place and hidden by the bracket.



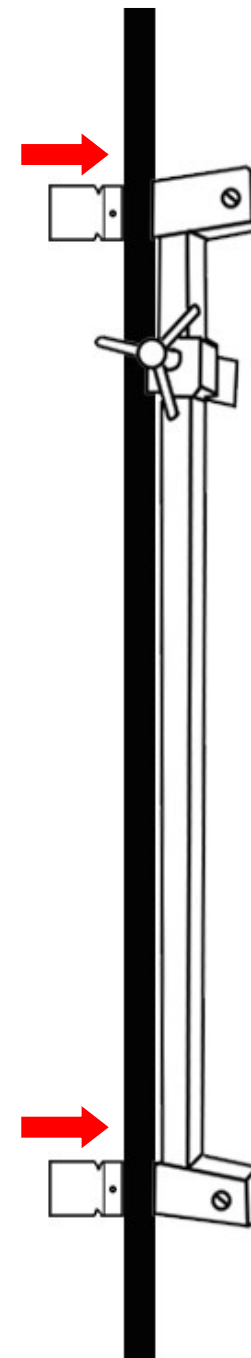
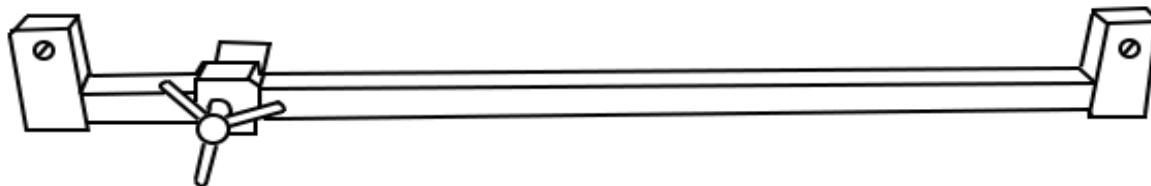
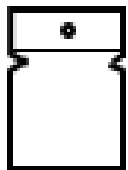
Step 10

Next is the metal bar which comes with the shower. You need to measure the distance between the door bracket and the fixed glass and cut the metal bar down using a hacksaw. This small piece is designed to go in line with the fixed glass and the door bracket. Once cut you screw in place using the **ST17** screws provided with the higher sloped edge being closer to the outside of the shower. Then you need to measure from the door bracket and the side glass wall. The metal bar needs to go across, but the slanted are of the bar needs to be cut away, so it fits around the side glass. Please refer to diagram below.



Accessories

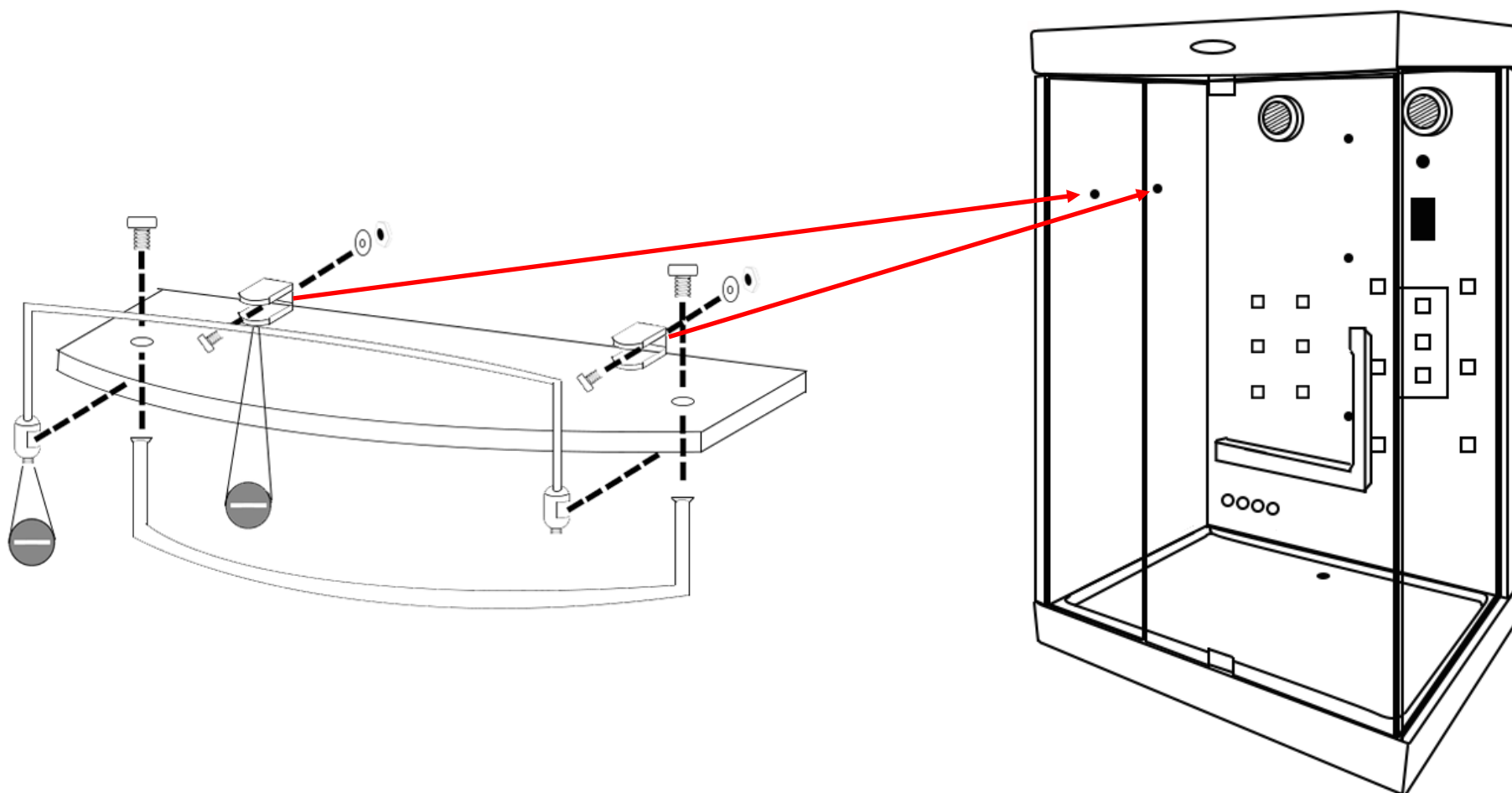
Most things on this shower come already attached. However you will need to fit the riser rail for the hand shower, and the glass shelf. The riser rail is simple to fit. Shown below you see it flat. At either end is a screw. Simply loosen the screw and retrieve the white fitting from inside each end. Then connect the hand shower to the holes in the back wall, push the white fitting in from behind and re-tighten the screws to secure it in place.



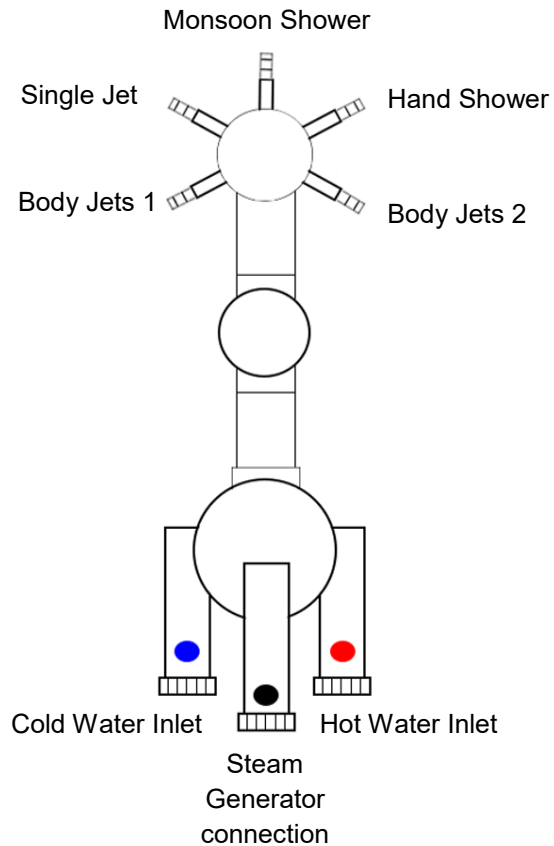
Glass Shelf

The glass shelf could be seen as the most difficult accessory to put together, however it is pretty straight forward.

Fix the chrome floating shelf brackets to your side wall panel by using the provided screws. Now attach the chrome tubed bars to your glass shelf as illustrated in the below image. Next slide the shelf into your shelf brackets and secure by tightening the grub screw situated on the bottom of the bracket.



Shower Valve



Connect the hoses at the rear of the valve to the corresponding fittings. Note we recommend that you use PTFE thread tape around each of the fittings to ensure a water tight fitting.

Device output may differ from the image. Please refer to your outer chrome faceplate inside your Insignia shower as a reference point.

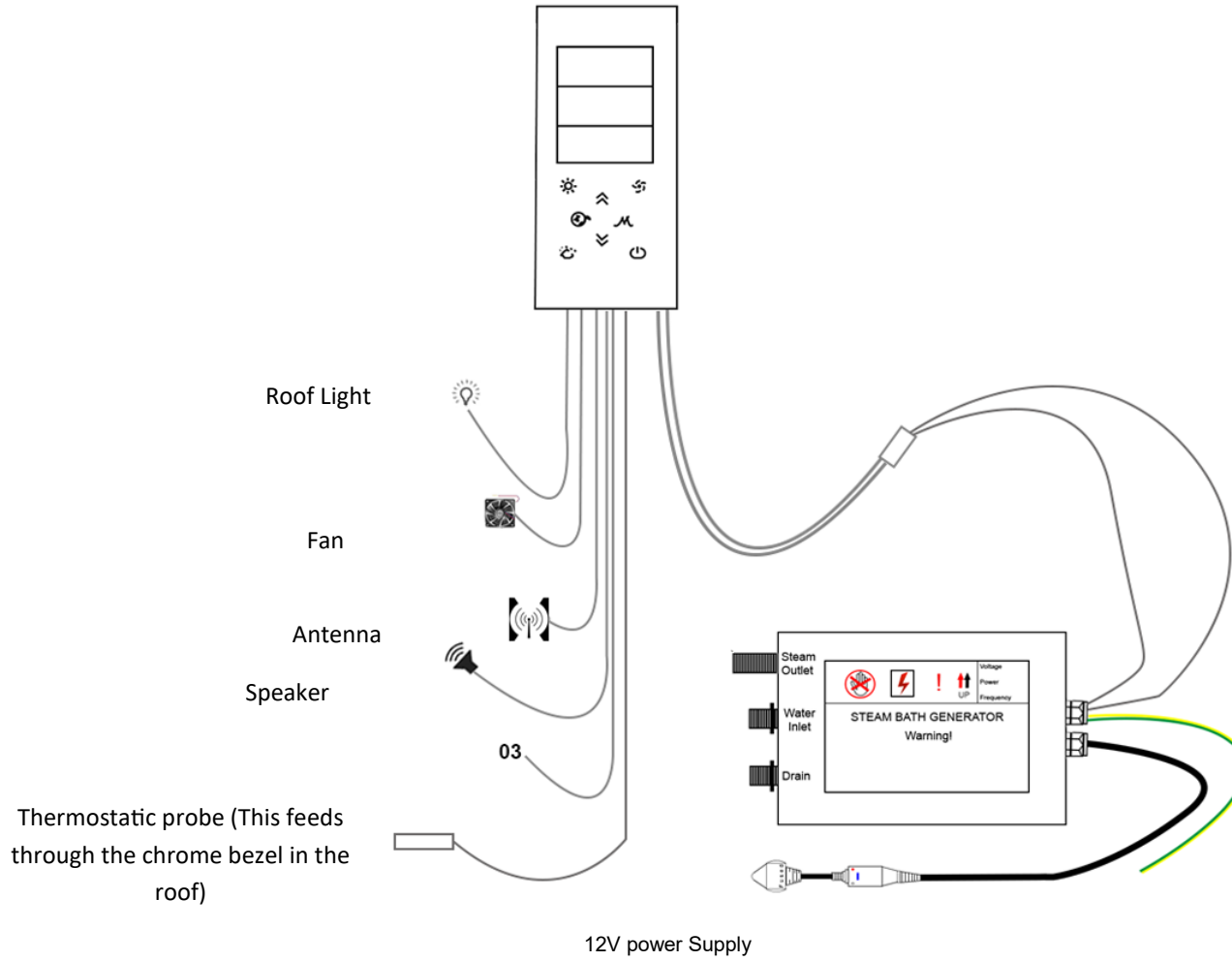
IF YOUR DIAL DOES NOT CORRESPOND TO THE APPROPRIATE DEVICE:

Turn on your water to the shower and note which output the water exits from then turn off the water and swap over the relevant hose.

Alternatively remove the outer chrome knob by removing the chrome cap and loosening the grub screw (please ensure not to unscrew fully as this will drop within the chrome knob) this is found on the opposite side to the chrome pillar. Once you have succeeded in loosening this you can now slide your faceplate to correspond to the device.

Electric Box Connections

Connect the cables below to the corresponding devices on the shower



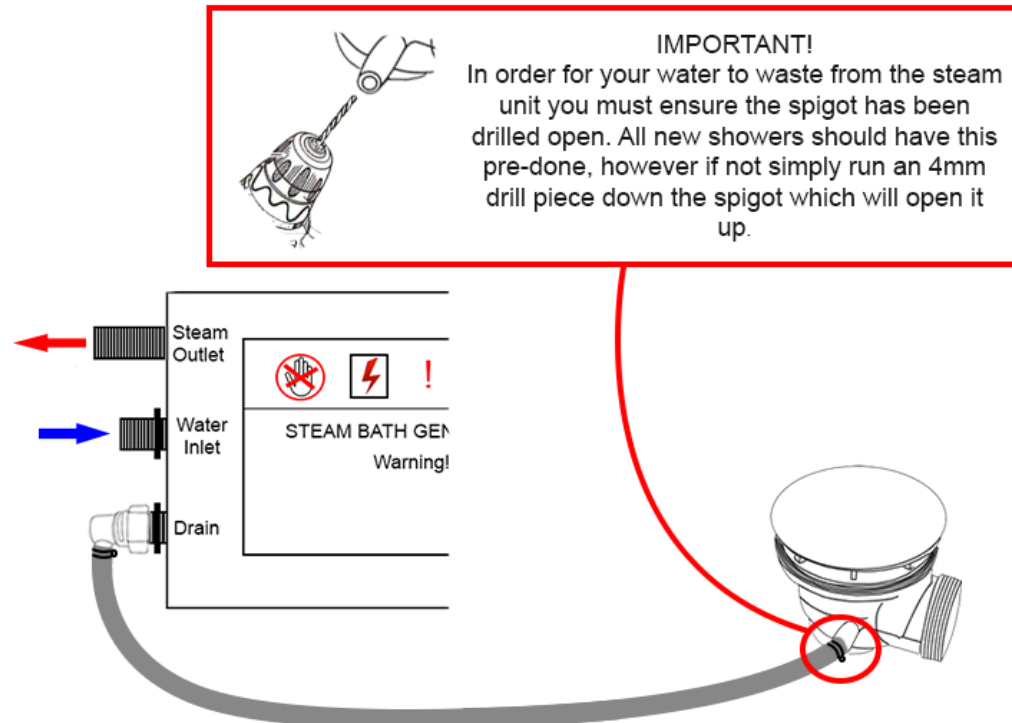
Steam Generator Connections

The steam generator has 3 connections.

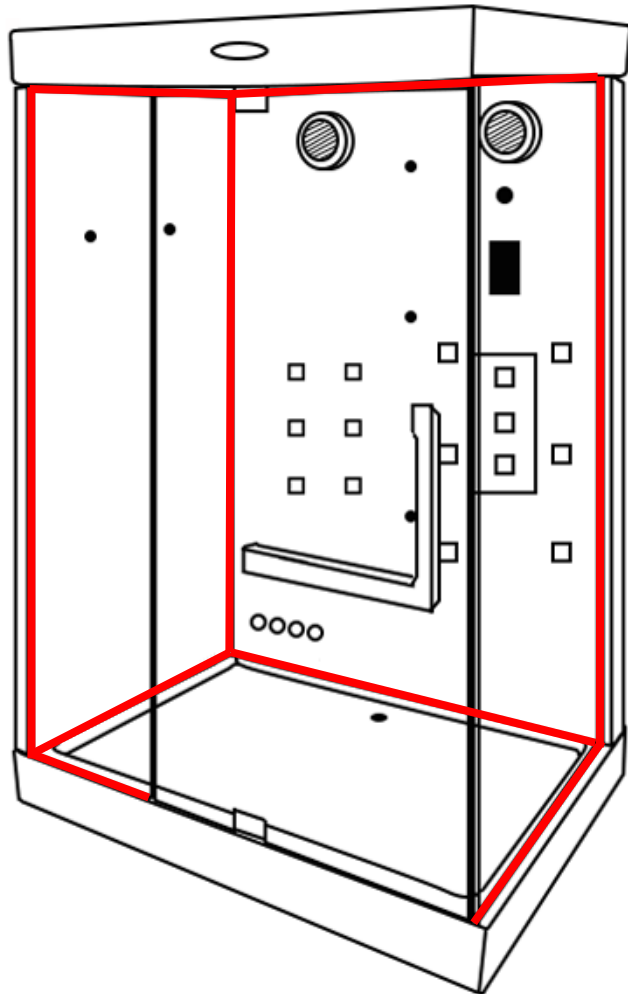
Steam Outlet: Connect the white insulated hose to the white steam pod within your shower. Make sure these are fitted in the correct position as they are only attached for transportation reasons only.

Water Inlet: Connect a braided hose from the shower valve's centre feed to this opening.

Drain: Connect the grey rubber hose from the steam generators drain opening to the nozzle on the shower waste (as shown in the below image)



Silicone Seal where shown in red on the inside of the shower



TESTING FOR WATER LEAKS

LEAVING SHOWER 24 HOURS AFTER BUILD ALLOWING SEALENT TO CURE

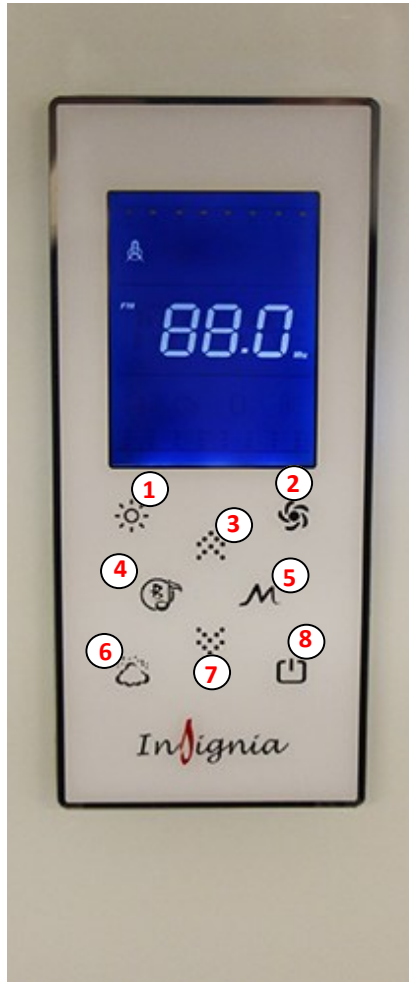
With all connections tight, the waste and hoses checked, jets fully sealed, your shower still around 18 inches from its designated final resting point and the silicone fully cured (hence leaving for 24 hours minimum) Switch on the overhead shower NOT the massage jets, remember these will fire water out at you and are not suitable for checking leaks as they would normally only operate when a person is in front of them. Just use COLD water setting as hot will make cabin misty and condensate thus the inspection becomes very difficult. Now on the OUTSIDE of the shower inspect each joint, factory seal, hose, clip and jet by walking from one side and going around to the back and then to the other side finishing at the front. If you have a small leak (normally caused through insufficient sealer or air bubble on assembly, dry the area thoroughly and reseal on the OUTSIDE. Please remember where you see the water this may not be exactly where the leak is as it could have run around to a low point. Never seal your inner fittings (accessories) inside unless you feel it necessary and make sure it is thin and neat, remember you will see this for the life of the shower! Again leave to cure and check. If all good now check shower functions i.e. jets for back massage, foot massage, (if you have one) and finally hand shower, check your joints to these functions at the rear again. Never use the shower until **all** checks have been made and the installer is 100% happy in the knowledge no leaks are present.

All good?

Now push your shower FROM THE BASE NEVER GLASS OR FRAME into its final resting position. Now you can shower in the knowledge that you have no leaks a job done well and long product life.

Happy showering!

Control Panel Instructions



Button 1 (Lights)

Press x1 for lights (Pressing button again turns them off. Then pressing again brings them on in a different colour. Repeat the on/off procedure to select your desired lighting colour)

Button 2 (Extractor Fan)

On/Off.

Button 3 (Up Arrow)

Radio Search Up, music track select up or Volume increase.

Button 4 (Audio select)

Press to activate the Bluetooth, USB or radio functionality.

Button 5 (Mode)

Press to convert the up and down arrows to volume control. This button can also set the steam time and temperature.

Button 6 (Steam)

Control the steam outlets from the control panel.

Button 7 (Down Arrow)

Radio Search Down, music track select down or Volume decrease.

Button 8 (Power Button)

On/Off. Hold in for three to five seconds to unlock the automatically locking control panel.

PLEASE NOTE:

When the Control Panel is locked, none of the buttons will work, with the exception of the power button, which will unlock the control panel.

Need Help?

If so then simply download Insignia's free comprehensive help and troubleshooting brochure now!

Simply visit: www.insigniarange.co.uk/help.aspx



**INSIGNIA PRODUCTS
HELP I HAVE PROBLEMS AND
NEED ANSWERS NOW!**



PLEASE KEEP IN SAFE PLACE

www.insigniarange.co.uk

All images are registered with
ImageTraker

Insignia™ is a registered trademark of Maclean International Ltd

All images are subject to copyright. Images may not be used in any way shape or form without written permission from Maclean International Ltd. Images are NOT permitted to be saved, printed or uploaded. Violation of copyright laws are punishable by law.