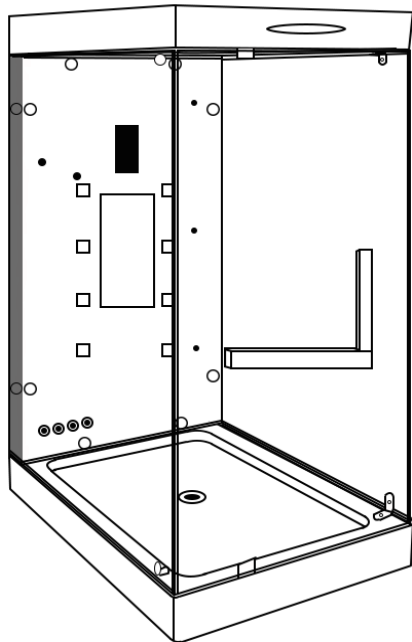




www.insigniarange.co.uk

INSTALLATION MANUAL

RS100



30 Day Technical Support: 01908 226545

(NOTE: This service is only available to customers from the day of delivery, please have your supplier's details and your postcode to hand before calling)

Email: customerservice@insigniarange.co.uk

Replacements Parts: inside of your warranty contact:
www.insigniarange.co.uk/customerService.aspx

Spares/Replacements Parts: outside of your warranty
contact **0844 800 3069**

ATTENTION INSTALLERS:

These instructions must be
left with the customer

WARRANTY REG NO: _____

to claim your full 2 year warranty, register your shower within 90 days at: www.insigniarange.co.uk/warrantyreg.aspx

Contents

Introduction	3
Requirements	5
What's In The Boxes?	6
Screw Pack Contents	7
Plumbing Requirements	8
Starting The Installation	9
Adding the Accessories	22
Sealing and Water Testing	26
Control Panel	27
Help Book Information	28



Thank you for your recent purchase of an Insignia shower. Please read this booklet with great care to ensure you get the best out of your build and have a shower that will last for many years to come!

Like everything, in order to obtain a first class product that will serve you well for many years, the effort and correctness put into the assembly will reflect in the quality of your finish.

OUR BADGE RATING IN TERMS OF DIFFICULTY OF ASSEMBLY IS BASED ON CLIENT FEEDBACK

1 Badge = Very easy

2 Badges = Easy

3 Badges = Moderate

4 Badges = Harder than average

5 Badges = Professional skills required

This shower is rated 5 Badges



ASSEMBLY AND SIMPLE PLUMBING

THIS PRODUCT BUILD IS RATED SUITABLE FOR DIY PURPOSES PROVIDING THE CUSTOMER IS OF ABOVE AVERAGE SKILLS AND FEELS CONFIDENT IN THEIR ABILITY. ONLY YOU THE CUSTOMER WILL KNOW THIS SO BEFORE ANY ATTEMPT IS MADE TO ASSEMBLE READ THROUGH THE FOLLOWING PAGES IN DETAIL THEN DECIDE. IF YOU HAVE ANY DOUBT USE THE SERVICES OF A PROFESSIONAL. IN PICKING SUCH, ALLOW THEM TO DECIDE IF THEY ARE CAPABLE OF BUILD BY FIRST SHOWING THESE INSTRUCTIONS TO THEM. ALWAYS GET THREE QUOTES.

REMEMBER THE BEST IS NOT ALWAYS THE CHEAPEST!

REMEMBER PLUMBERS PLUMB! 90% OF THIS JOB IS NOT PLUMBING!

DUE TO THE NATURE OF THIS PRODUCT WE HIGHLY ADVISE THE PURCHASE AND FITTING OF A WATER SOFTENER

ELECTRICAL CONNECTION TO HOUSE MAINS

WHEN YOUR ITEM IS ASSEMBLED ALWAYS USE THE SERVICES OF A FULLY QUALIFIED ELECTRICAL COMPANY TO COMPLETE CONNECTION FROM SHOWER TO HOUSE SUPPLY. LAWS DEMAND IN MANY CASES YOU DO THIS AND YOUR WARRANTY IS VOID REGARDS ELECTRICAL ITEMS IF THIS IS NOT UNDERTAKEN.

YOURS AND OTHERS SAFETY IS PARAMOUNT. NEVER ATTEMPT THIS YOURSELF.

REMEMBER:

These showers are designed to be free standing and movable from their location should you have need to replace anything. ALWAYS USE Flexible braided water inlet pipes at least a metre long (not central heating plastic type!)

from house supply to the shower and again flexible waste pipe to join to your house waste. NEVER fix with rigid pipes, never fix the unit to the wall.

DURING BUILD, LIKE ALL SHOWERS CORRECT SEALING IS IMPERATIVE.

ATTENTION

ALWAYS FIT EASY TO GET TO TAPS ON BOTH HOT AND COLD WATER SUPPLY. AS A DISHWASHER OR WASHING MACHINE, THIS PRODUCT MUST BE ISOLATED WHEN NOT IN USE. FLEXI SUPPLY HOSES (SUPPLIED) COUPLE HERE AS ORIGIN OF SUPPLY

Requirements



Flat head screwdriver



Scissors



Stanley Blade



Silicone Gun



Spirit Level



Tape Measure



Philips Screwdriver



Electric Drill

Whilst the next steps show you how to assemble your shower we want to make sure you have a correct build to ensure you get a trouble free shower. Therefore our advice is to follow the instructions and perform a dry run to ensure you are confident with the build and you understand fully how the unit is assembled. When we use the word "DRY RUN" this means you do not silicone anything, just simply construct the shower, align, drill and screw everything together. Once you are happy with the build take the unit apart and carry out the final fix.

What's In The Boxes?

Tray Box

1x Tray

1x Roof

Glass Room

2x Door seals

4x Side Glass seals

Glass door

2 x Glass Side panel

Backwalls

Back Wall

In addition to above you will have all the required internal accessories to complete the shower.

Insignia Screw Pack

Product Code	Description	Quantity
	Door Handle	1
	Door Hinges	2
	(4mm Allen key)	1
ST33	33mm Screws	4
ST17	17mm Screws	12
	Single-ended Screw Brackets	8
	Double-ended Screw Brackets	4
	Allen Key for Brackets	1
DB3	Drill Piece (3mm)	1

Note: In some cases you may have more screws than needed, this is done so you have spares!

VERY IMPORTANT

Have you got everything? If not please contact the Insignia Support Line on 01908 226545. Remember **NEVER** book your tradesman until everything has arrived, been checked and is present. No replacement/missing parts can be obtained free of charge during or after the build. Any claims can only be within the timescale permitted (48 hours after delivery) and always **BEFORE** build.

Pressure Requirements from your house supply

We recommend a bar pressure between 2 and 3.4 BAR. If you have a combi boiler system no problem should be experienced. If you have a gravity feed older type installation (hot water tank type usually less than 1 bar) you will almost certainly need a pump. We cannot advise on which type of pump is used, location or design because all house plumbing layouts vary. This is a job for your installer/plumber. The end delivery however must fall within the scope above.

Debit Requirements

You will need the debit capabilities of at least 10 litres per minute. Again an average combi boiler will supply this but please check if you have a gravity feed system.

Important Note Do not exceed 3.4 BAR pressure under any circumstances. Warranty is void if so as damage will occur. If you have a combi supply, please use a pressure reducing valve if required to lower the BAR pressure to the shower.

Please Remember that this product is free standing and is designed to be pulled away from the wall. The water supply and waste require flexible pipes. If you purchased the fitting kit with this shower you will have the required fittings. The water supply pipes need to be at least 1 metre in length and must be that of a flexi braided type.

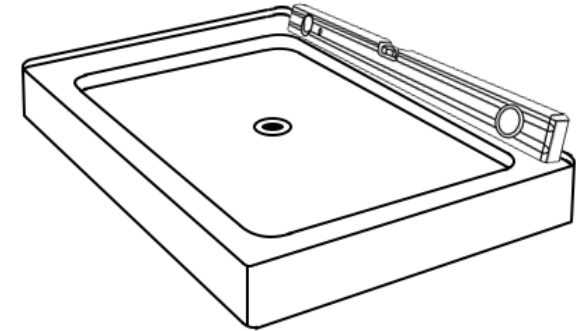
Please note if a shower pump is used via gravity system we recommend a separate cold feed bypassing pump direct to generator to avoid damage to the generator.

Further to this as you would with a washing machine or dishwasher, it is highly recommended that accessible water valve taps are installed to turn off the shower when not in use. This will avoid any possible flooding due to a burst pipe or connection failure in the future.

TO START

Make sure you have a clear space, remember when finished and in place you need access to check your build and able to pull the shower out for servicing or should you have the need to replace anything!

Take the shower tray and remove all the protective wrapping and fit the waste. If you purchased the fitting kit it is possible this may have already been fitted in the tray hole yet please note this is only for transportation reasons therefore you will still need to ensure the correct sealing and alignment is carried out. In the side of the waste supplied in the optional fitting kit you will notice a spigot not seen on an ordinary waste. In most cases this is blanked yet should you have a steam version you need to gently drill this out as this item is for the steam generator drainage and will be connected in the instructions later.



Now please level the tray by firstly placing the tray in its final location and then using a spirit level, adjust the tray feet accordingly. Once you are happy with the levelling of the tray, you can pull it out to begin the main construction.

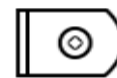
On this model, you have double ended and single ended screw brackets. You need to fasten these to the side glass panels and the back wall, before you position them on the tray. These are fastened using an Allen key, which is provided. The double ended brackets are for connecting the glass walls to the back wall, and the single ended ones are for connecting the back and side to the tray and roof.

However before you do this, you need to connect the seals on the back and side walls.

Single ended
bracket overview



Single ended bracket
internal view



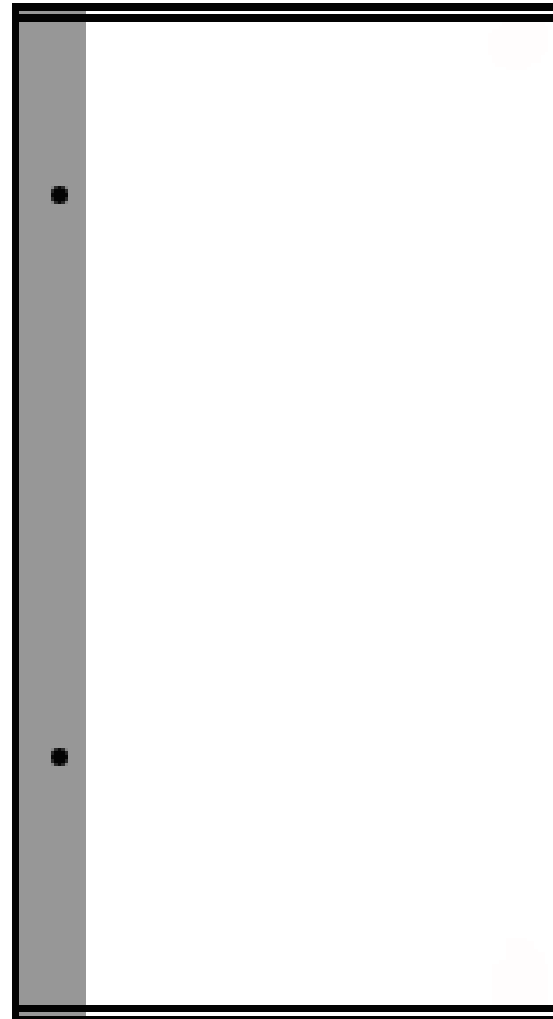
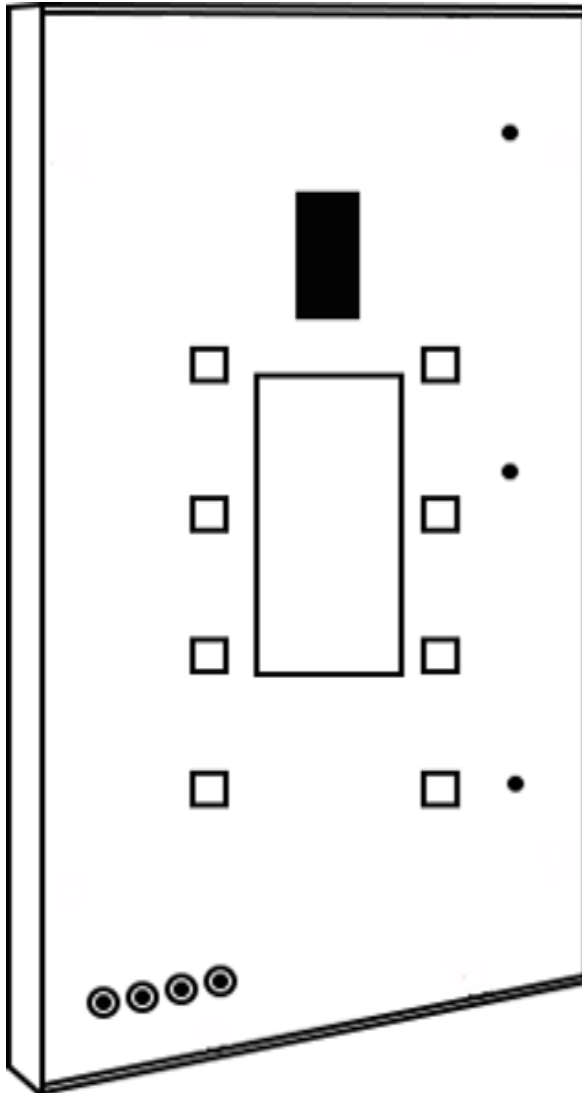
Double ended
bracket overview



Double ended bracket
internal view

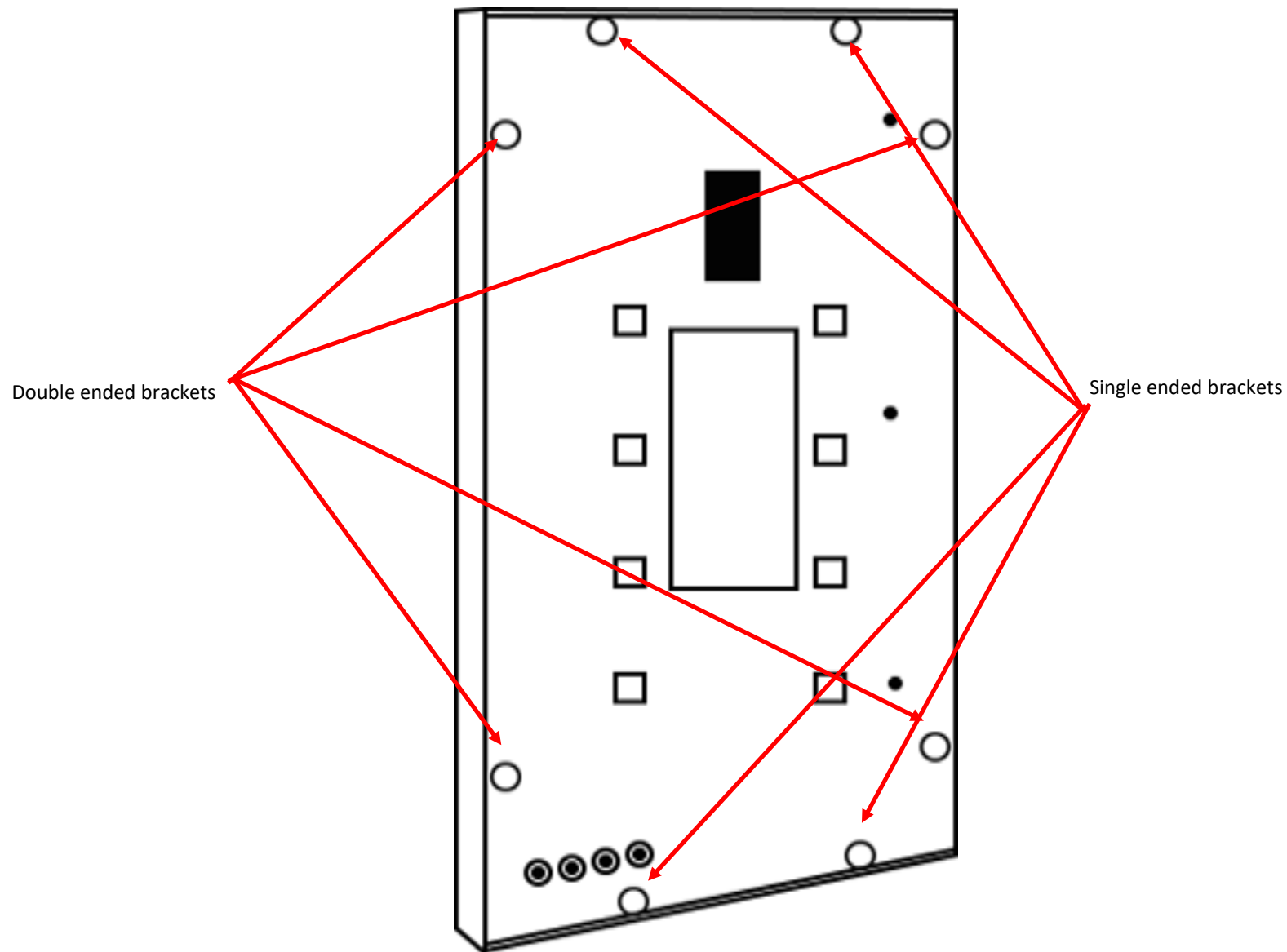
Step 1

Connect the seals to the top and bottom of the side glass panels, and also the back wall.



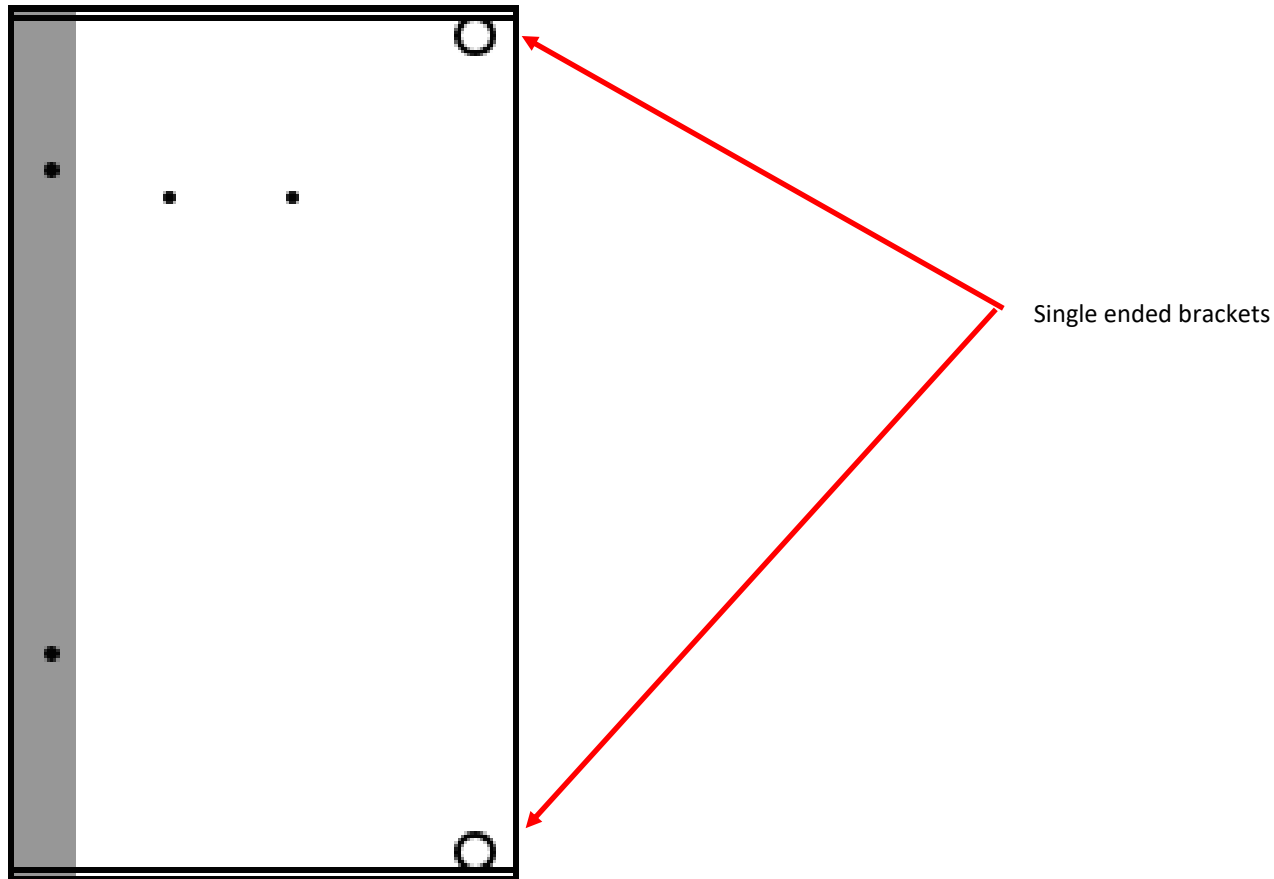
Step 2

Connect the brackets to the back wall. To do this simply unscrew the bolt using the Allen key, then pass the interior of the bracket through the holes around the perimeter of the wall and screw back together.



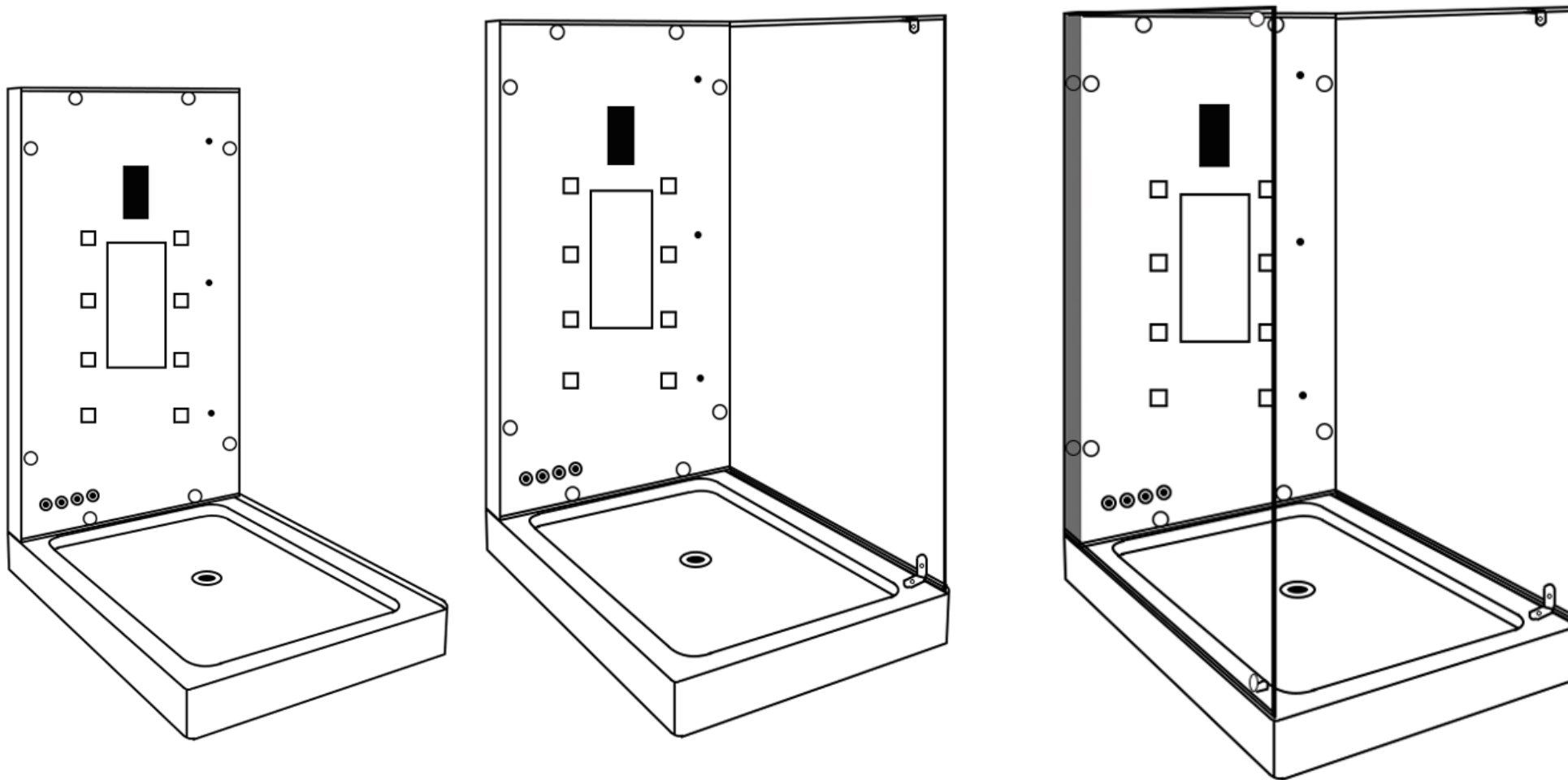
Step 2 (continued)

Once you have connected the brackets to the back wall, you need to do the side panels as well. You will have connected the double ended brackets to the back wall, so you will have to fasten those on as they are placed in position. The single ended brackets at the top and bottom of each glass wall should be secured into position at this time. You have 4 remaining single ended brackets. Simply place one at the top, and at the bottom of both glass walls. The holes are already provided at the front for your brackets. The glass has a frosting at the back for aesthetic purposes.



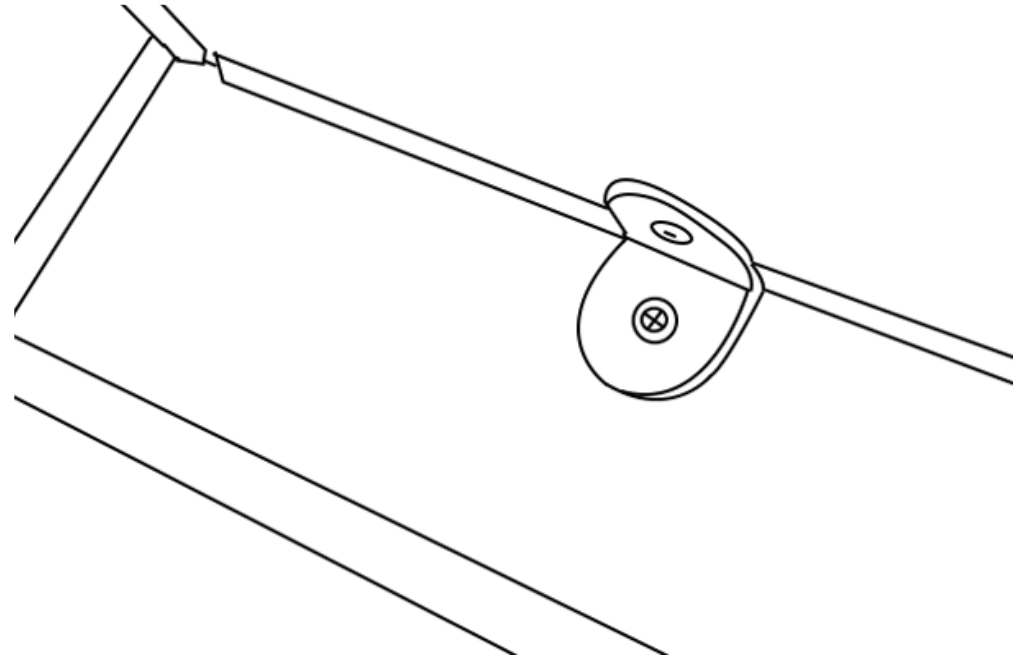
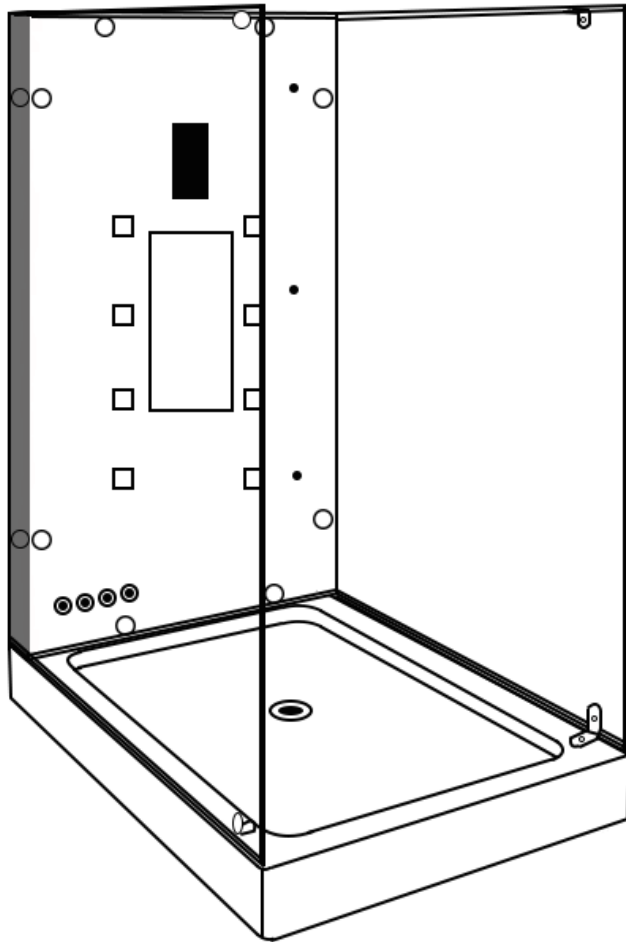
Step 3

Now you need to position the back wall in place. Followed by the first glass wall. Connect the two together using the double ended bracket already connected to the back wall. Once this is done, repeat for the other glass wall. How do you know which side to put the glass walls? Simple! The wall with two small holes in for the glass shelf is designed to go on the left as you look at it from the front, and the clear glass wall on the right.



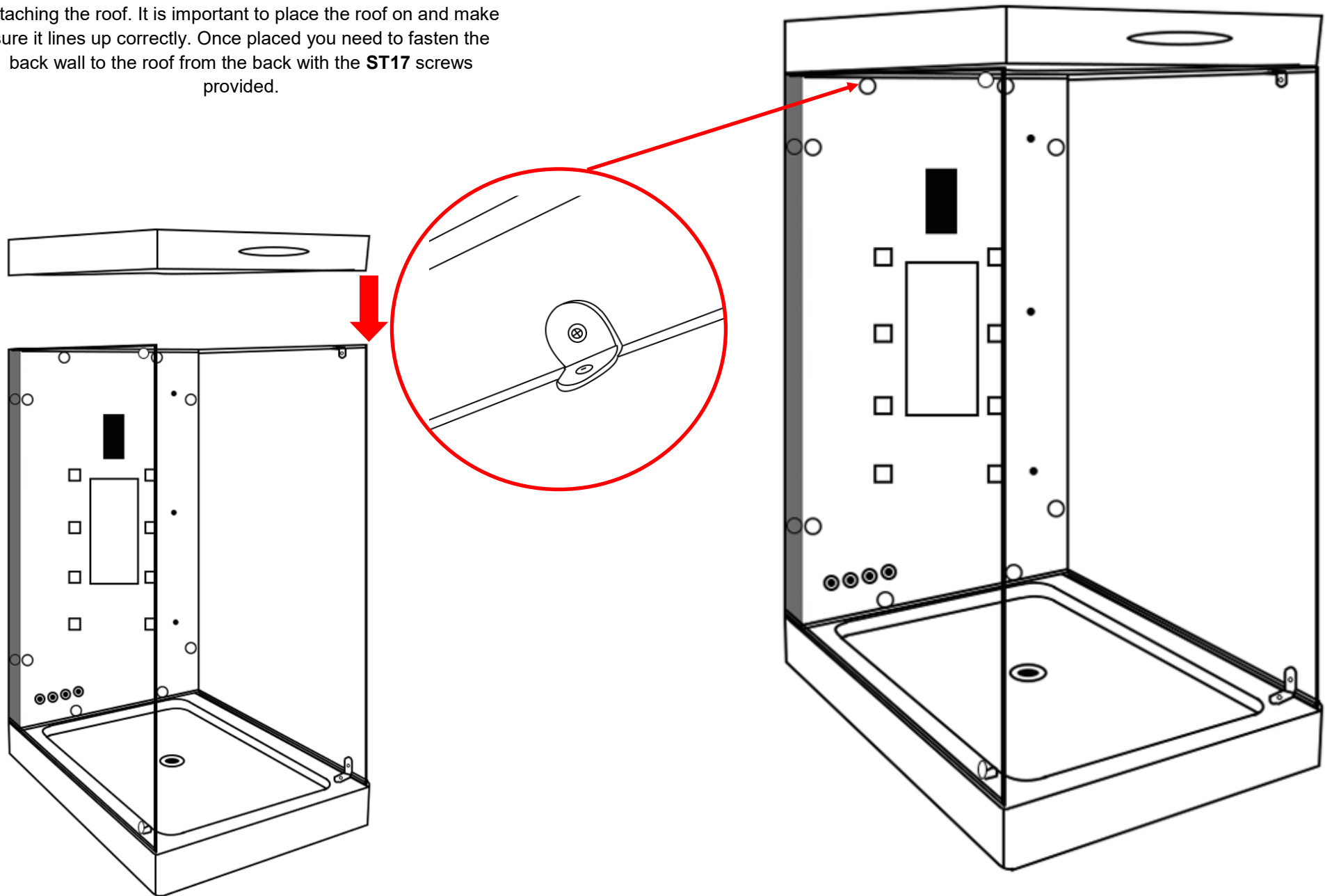
Step 4

Once the two glass walls are connected to the back wall, you can connect the back wall, and the two brackets at the back of the shower to the base. Leave the front ones not connected for now, as it allows you to line up your roof and door with greater ease.



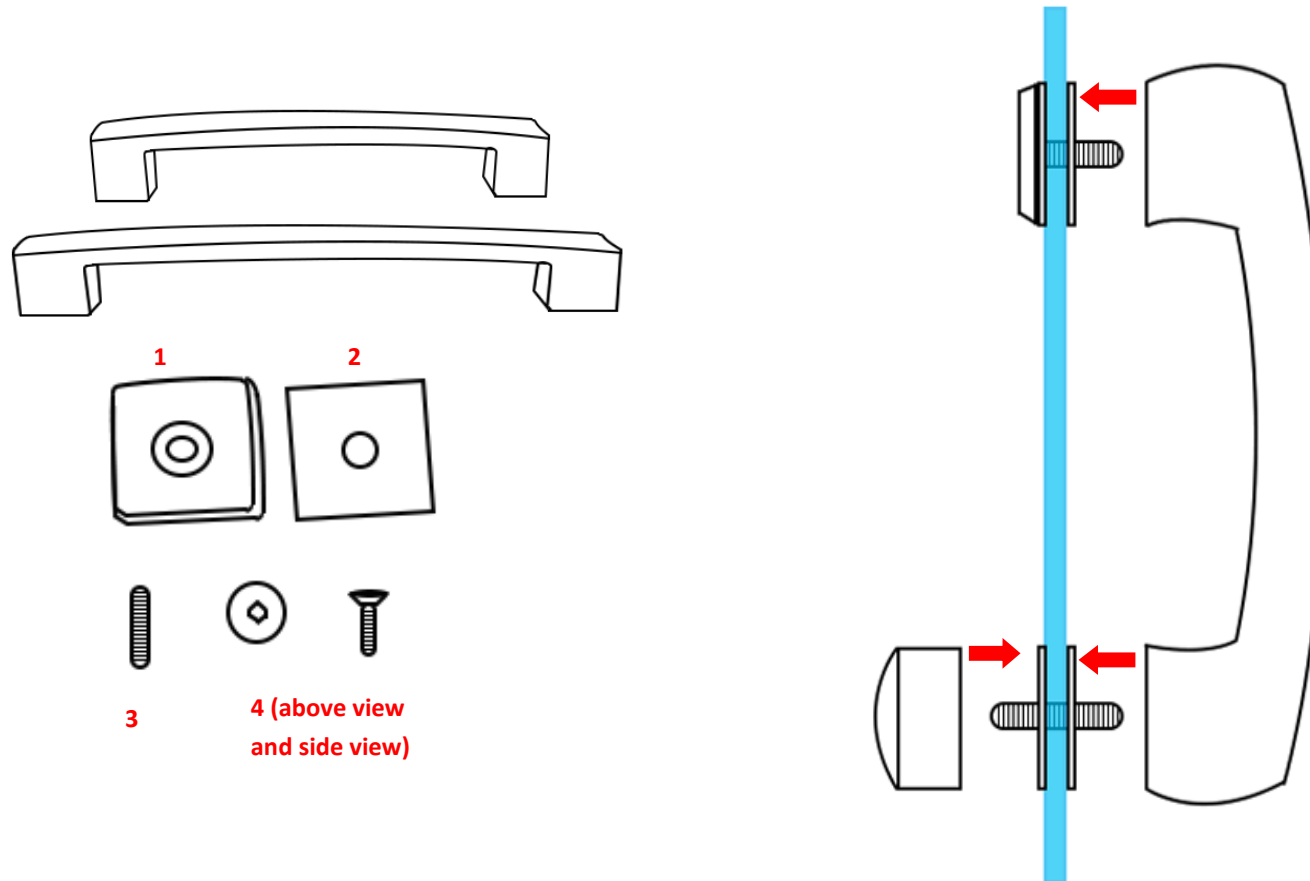
Step 5

Attaching the roof. It is important to place the roof on and make sure it lines up correctly. Once placed you need to fasten the back wall to the roof from the back with the **ST17** screws provided.



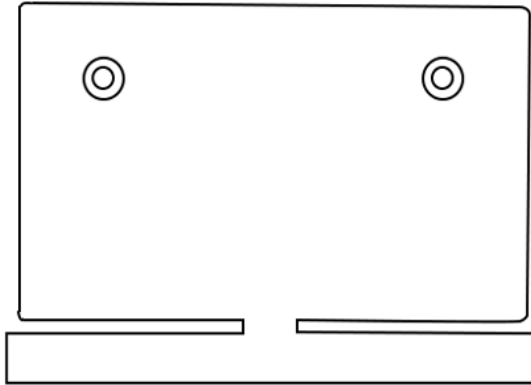
Step 6

Next on the list is the door. But before you can attach the door, you need to attach the fittings to the door. There are 2 door hinges, one for the top, and one for the bottom, where the glass has been cut out, and also the door handle. You want the door handle on so it can assist you in the lifting of the door. The door handle comes with two attachments, and these can go either way. One faces out of the shower, and the other inside the shower. One is longer, which is designed as a towel rail. The holes are cut out of the door for this so locating where each bit should go is simple. Two of these ends screw together with the double ended screw as shown (3). A plastic washer (2) goes in between these to keep the integrity of the glass. Then the other two fittings have a screw and a cap which can be tightened with the Allen key provided (1 & 4).

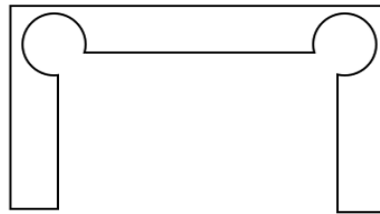


Step 6

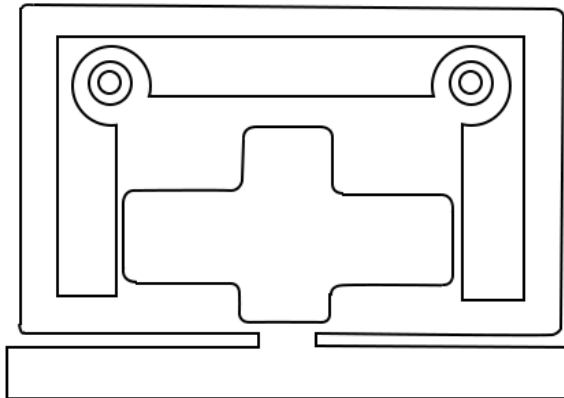
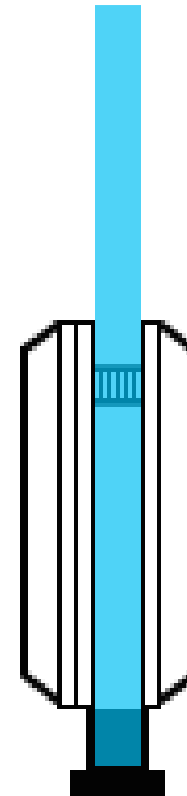
Attaching the hinges to the door. You will see at the top and bottom of the door, some grooves have been cut out of the glass. This is by design, and is where the hinges fit. To fit the hinges you need to undo the screws with the Allen key provided. This makes the hinge come apart. The bolts are designed to go on the inside, and the clear hinge case on the outside. On the inside of the hinge there are 3 plastic gaskets. You put two on the outside of the door and one on the inside.



View of hinge exterior



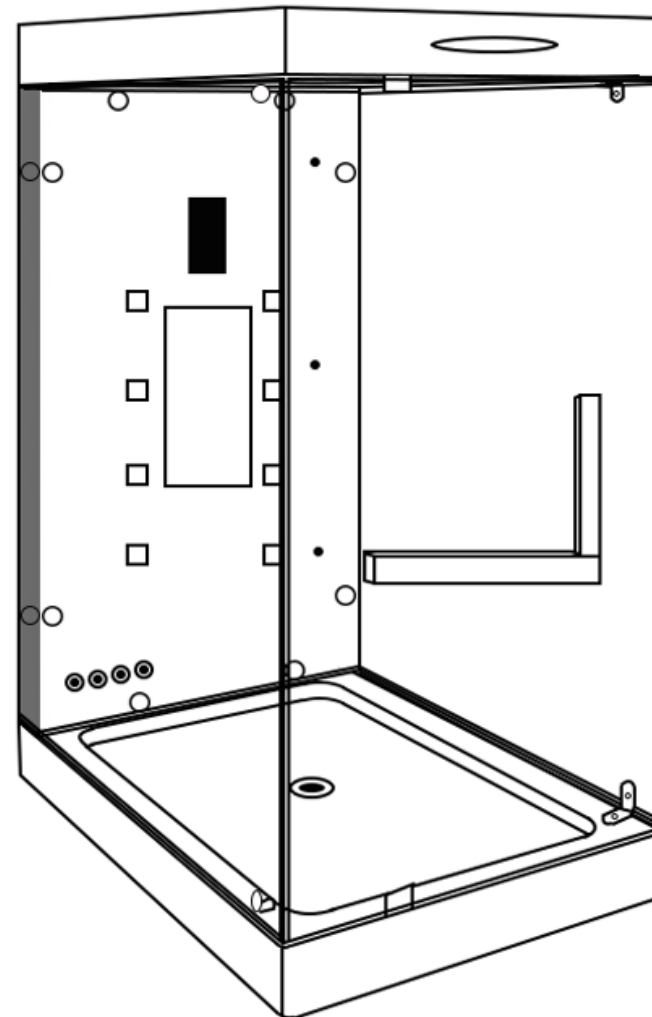
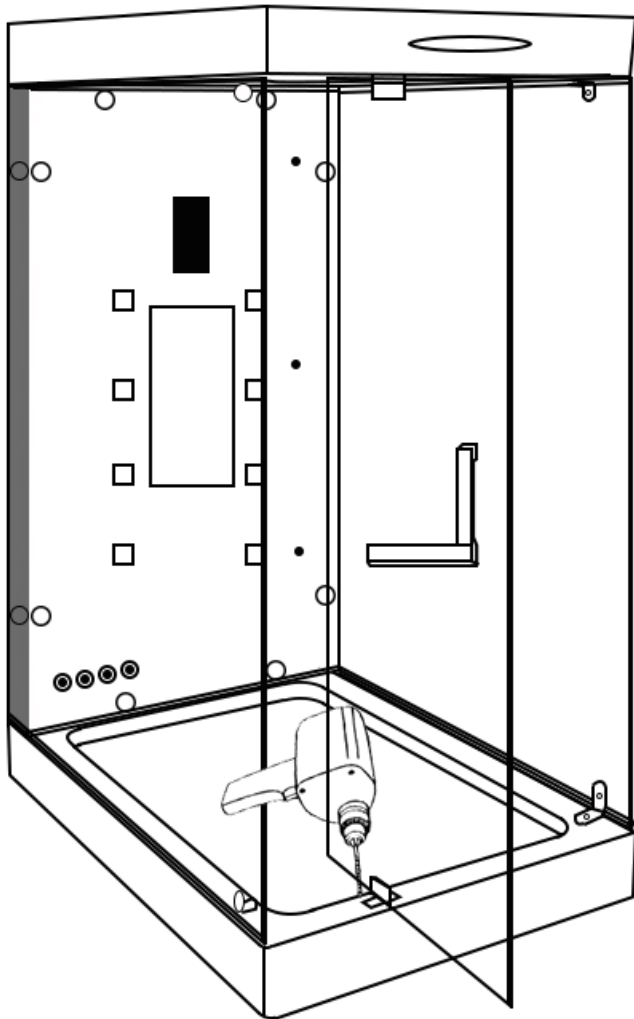
Inside plastic gasket



View of hinge interior

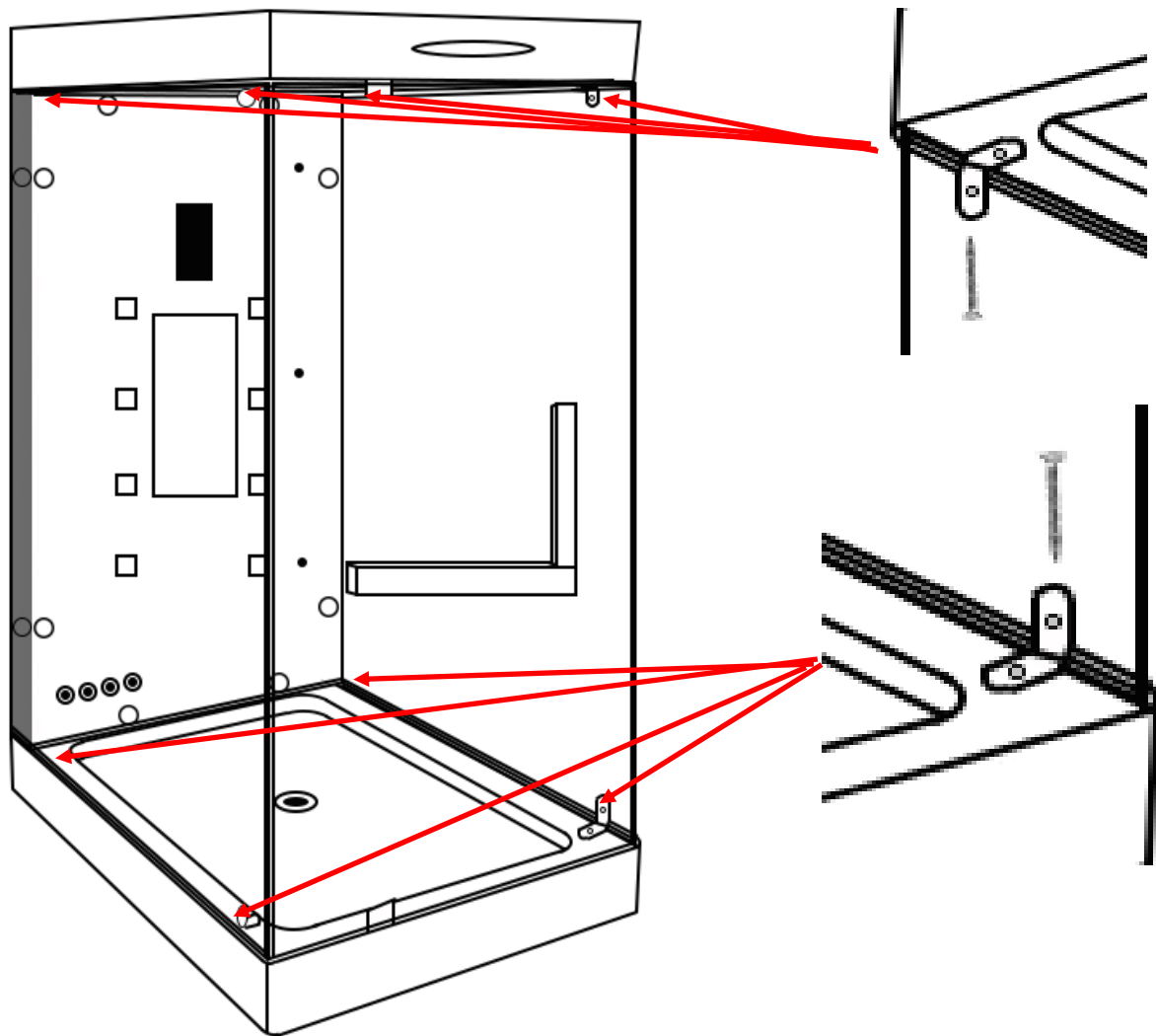
Step 7

Attaching the door. This is a tricky process. You need to align the door correctly within the cabin. We suggest you take your magnetic door seal strips, and apply them, one to the edge of the door, and the right side glass wall. Once you have done this, you know where the door needs to be screwed in so the magnets meet comfortably and close. Because you haven't fully secured your side panels yet, you can wiggle things around so they line up perfectly. Once in position, you are going to need to make a mark on the base and roof of where the hinges are. This is because to fit the hinges, the door needs to be open, and the possibility of it slipping out of place is extremely high due to it's weight. Once you have opened the door, you need to use the 3mm drill bit provided to create your holes in the roof and base of the shower. Do this for the four holes required, two in each hinge. After this you use the **ST33** screws provided in your door hinge box to secure in to place.



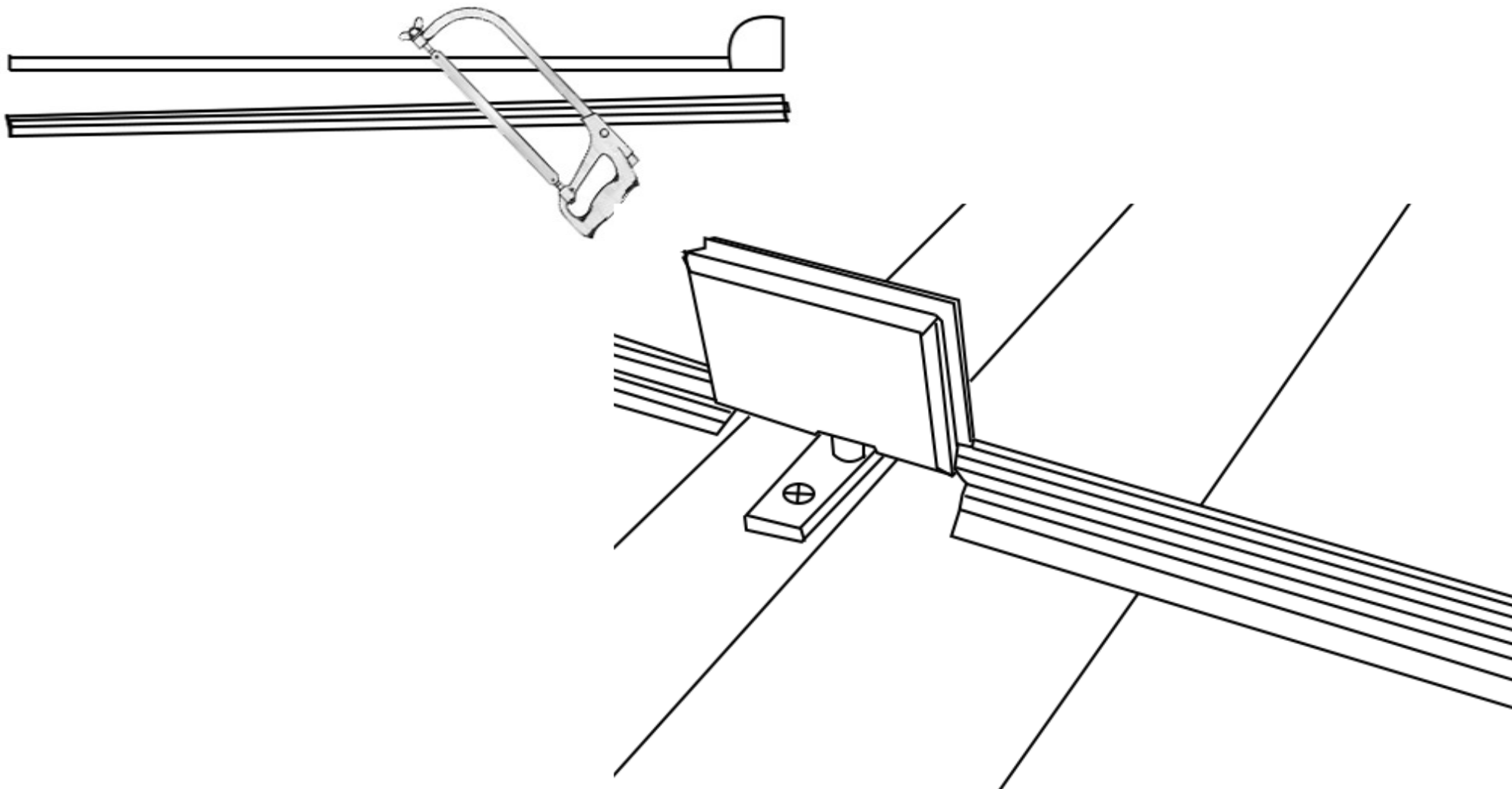
Step 8

Now you have attached the door and it closes properly, you can connect both side walls to the base and the roof. You have one at the front on each side at the top and the bottom. You also have one at the back, on each side, at the top and the bottom.



Step 9

Fitting the door seals. It is important to note that these come as a whole unit, and need to be cut so they go either side of the door bracket. It is important to measure the door seal, **AND** the door. Once you have done this and know where you need to cut, carefully cut the door seal straight, we recommend using a hack saw. You need to do this for the top and bottom door seals, and then fit them accordingly.

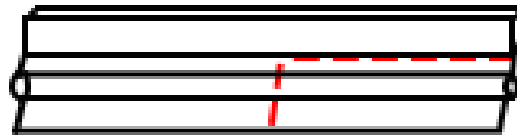


Step 9 (continued)

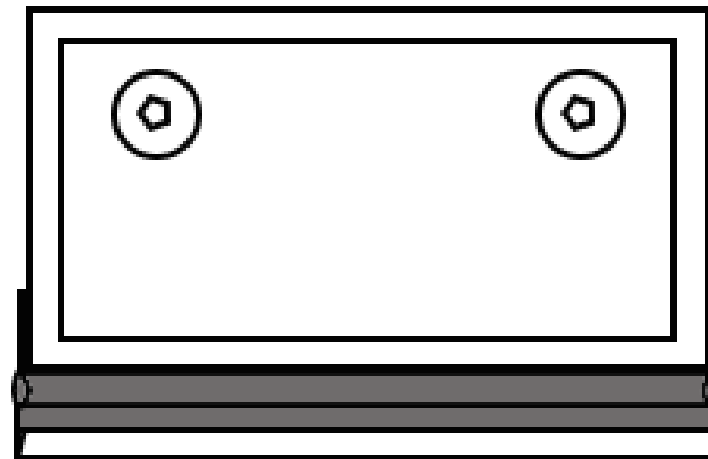
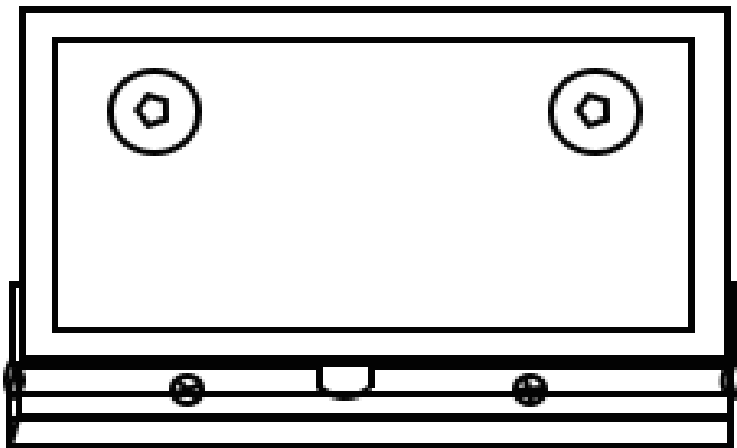
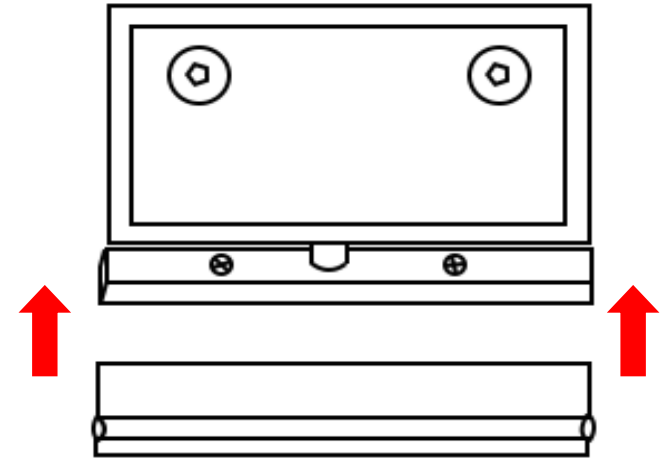
Now you have the metal bar and door seals on your shower you are almost there. This next bit is slightly tricky, but essential. The door bracket has no seal, and can leak, but fear not as there is a simple solution. You have a spare piece of bottom door seal from where you have trimmed it down. What you do is take this piece of door seal, and cut off the portion, shown by the dotted red line in the diagram below. Then you flip this upside down, gently slacken off the door bracket just enough that you can squeeze the seal between the bracket and the glass. Once in position, you retighten the door bracket and there you go.



Door seal side on



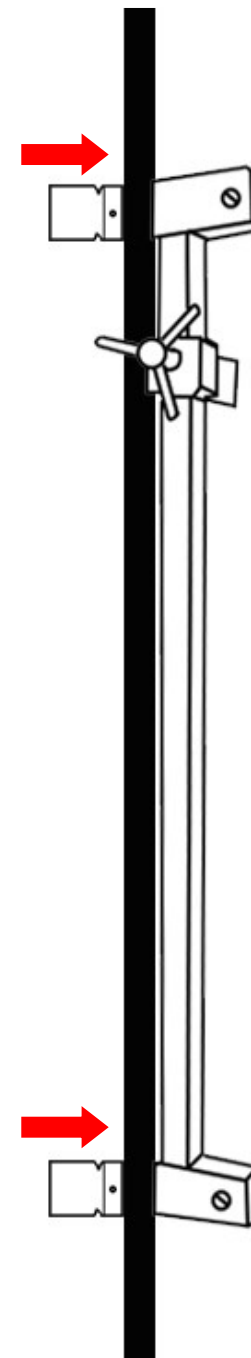
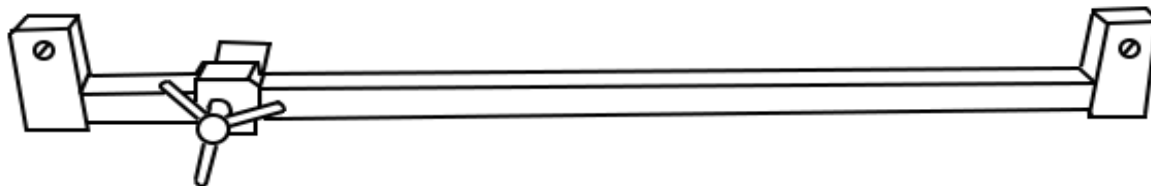
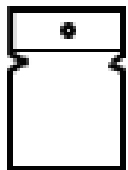
Door seal face on



Door seal in grey for clarity

Accessories

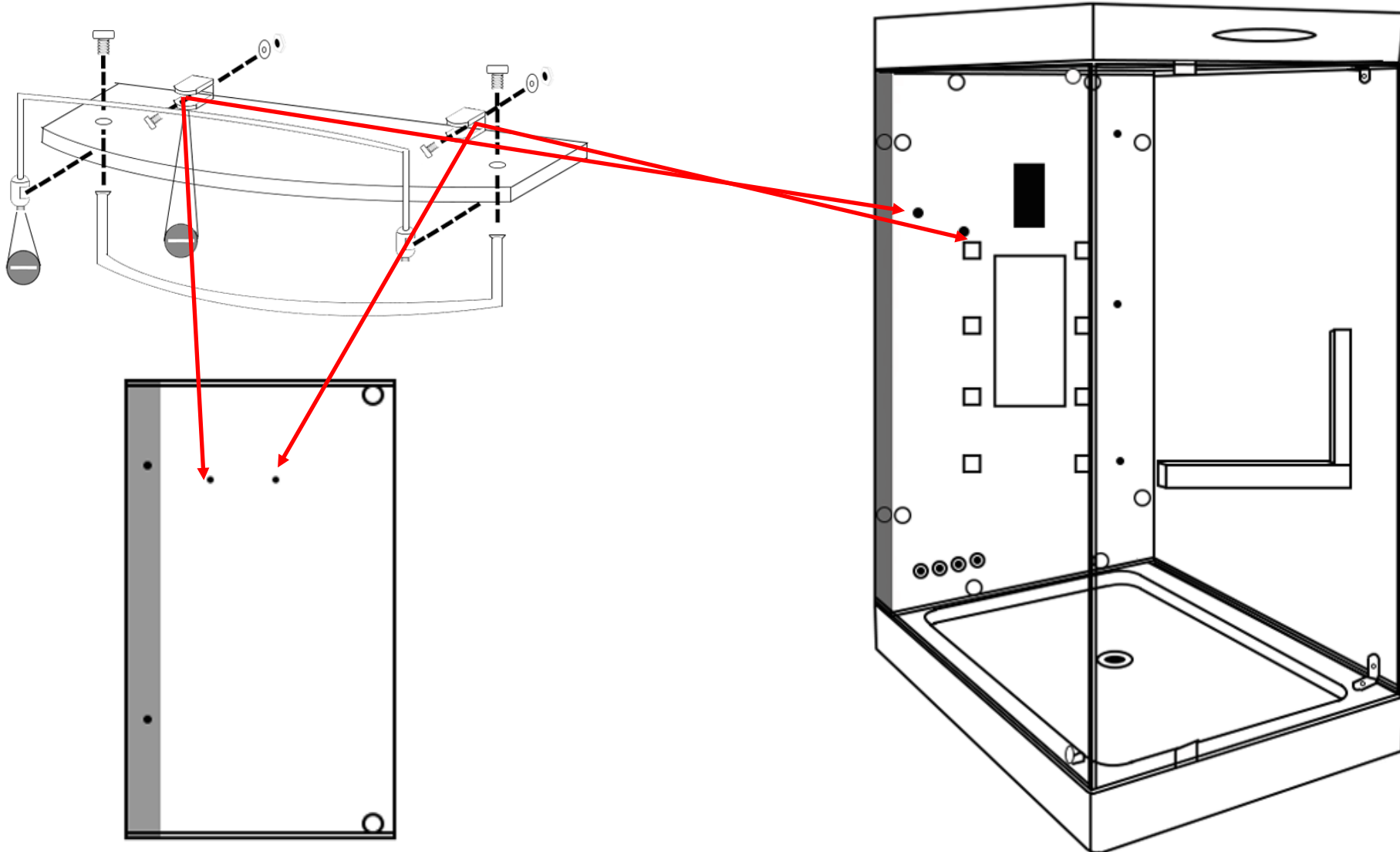
Most things on this shower come already attached. However you will need to fit the riser rail for the hand shower, and the glass shelf. The riser rail is simple to fit. Shown below you see it flat. At either end is a screw. Simply loosen the screw and retrieve the white fitting from inside each end. Then connect the hand shower to the holes in the back wall, push the white fitting in from behind and re-tighten the screws to secure it in place.



Glass Shelf

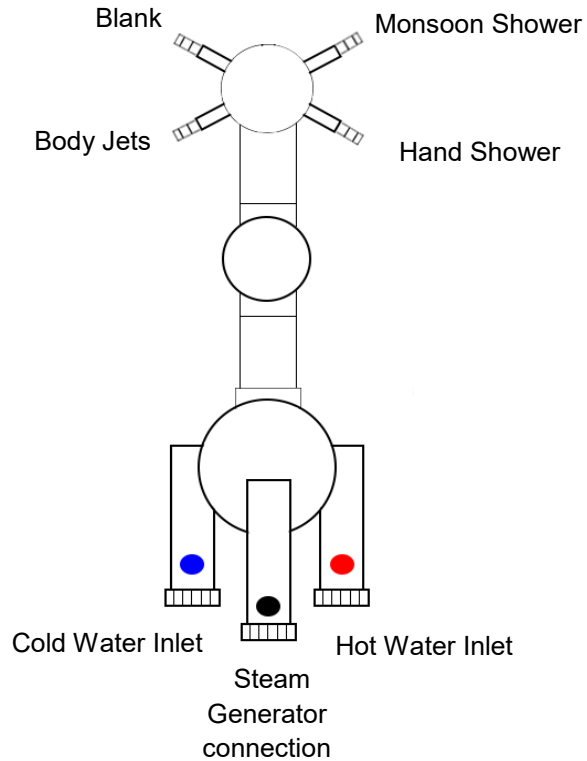
The glass shelf could be seen as the most difficult accessory to put together, however it is pretty straight forward.

Fix the chrome floating shelf brackets to your glass wall by using the provided screws. Now attach the chrome tubed bars to your glass shelf as illustrated in the below image. Next slide the shelf into your shelf brackets and secure by tightening the grub screw situated on the bottom of the bracket.



Shower Valve

Connect the hoses at the rear of the valve to the corresponding fittings. Note we recommend that you use PTFE thread tape around each of the fittings to ensure a water tight fitting.



Device output may differ from the image. Please refer to your outer chrome faceplate inside your Insignia shower as a reference point.

IF YOUR DIAL DOES NOT CORRESPOND TO THE APPROPRIATE DEVICE:

Turn on your water to the shower and note which output the water exits from then turn off the water and swap over the relevant hose.

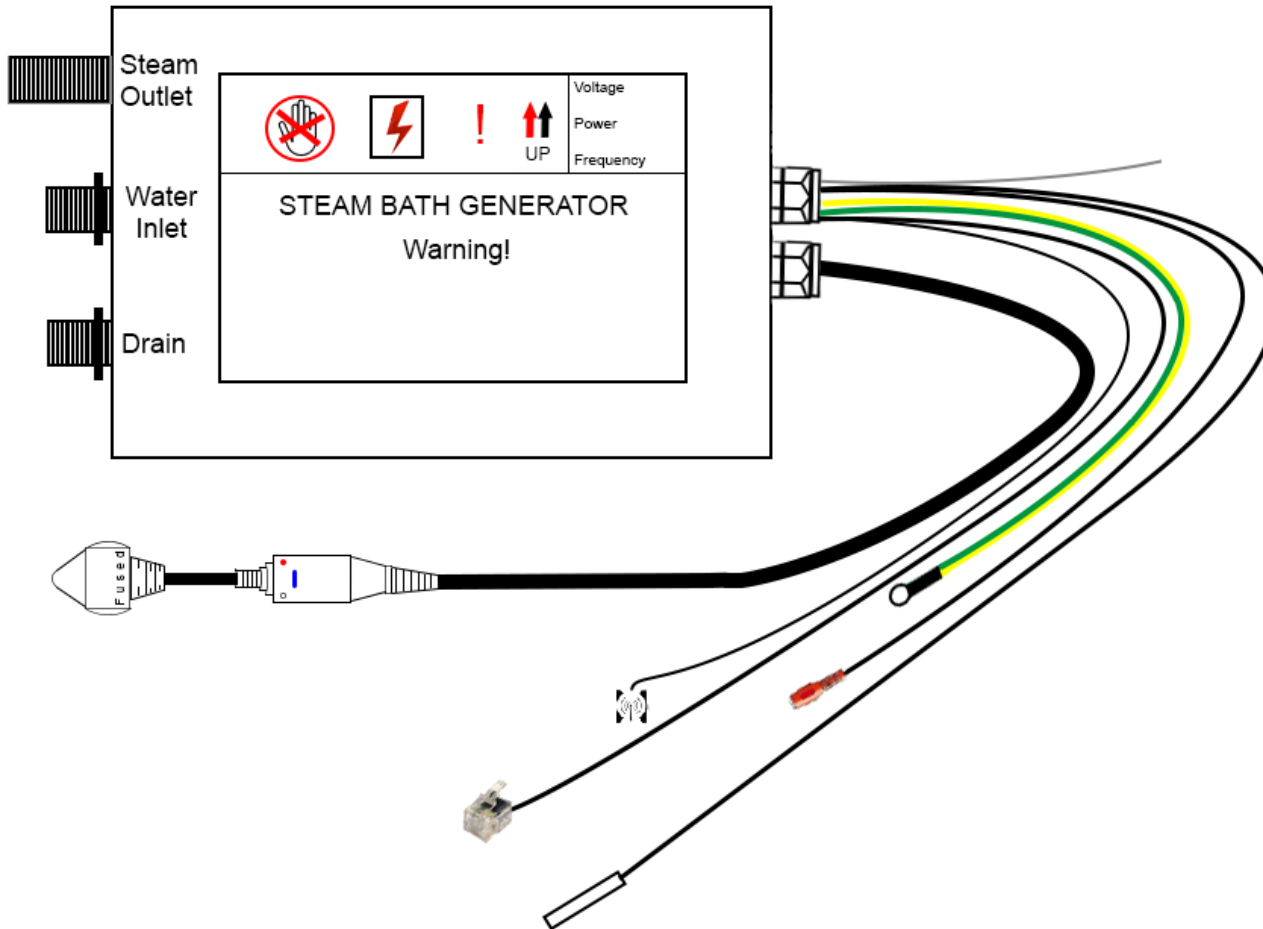
Alternatively remove the outer chrome knob by removing the chrome cap and loosening the grub screw (please ensure not to unscrew fully as this will drop within the chrome knob) this is found on the opposite side to the chrome pillar. Once you have succeeded in loosening this you can now slide your faceplate to correspond to the device.

Steam Generator

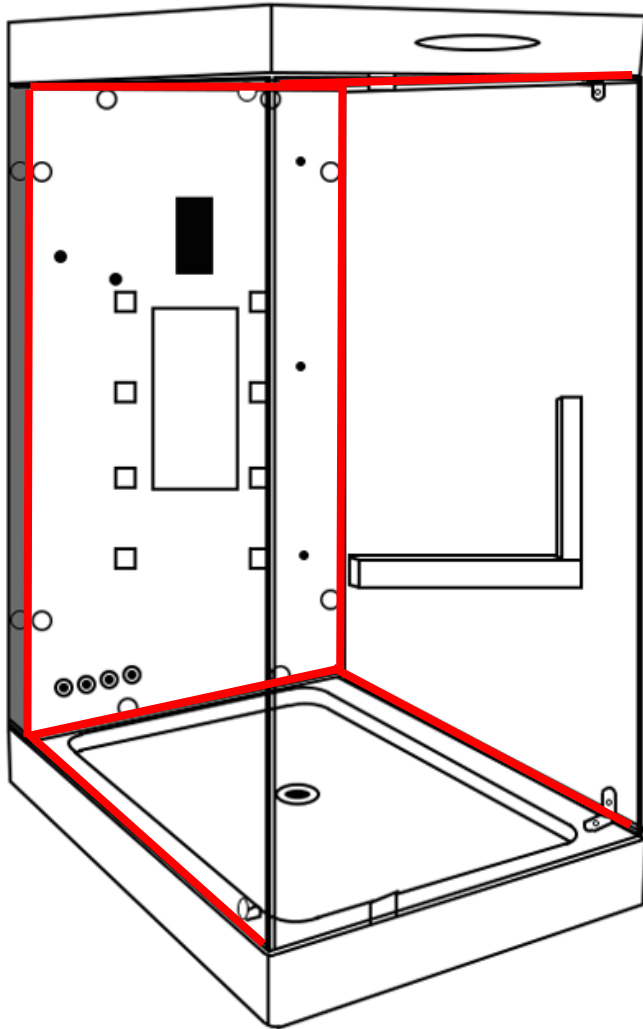
You need to connect the steam generator .
Attach piping to the steam outlet, the water inlet and the drain.

On the other side is the cabling and wires. As
you can see from the diagram there are
different wires that have different functions.

You have the radio aerial, RJ11 phone
connection, thermostatic probe, power lead
and AUX audio in connection.



Silicone Seal where shown in red on the inside of the shower



TESTING FOR WATER LEAKS

LEAVING SHOWER 24 HOURS AFTER BUILD ALLOWING SEALANT TO CURE

With all connections tight, the waste and hoses checked, jets fully sealed, your shower still around 18 inches from its designated final resting point and the silicone fully cured (hence leaving for 24 hours minimum) Switch on the overhead shower NOT the massage jets, remember these will fire water out at you and are not suitable for checking leaks as they would normally only operate when a person is in front of them. Just use COLD water setting as hot will make cabin misty and condensate thus the inspection becomes very difficult. Now on the OUTSIDE of the shower inspect each joint, factory seal, hose, clip and jet by walking from one side and going around to the back and then to the other side finishing at the front. If you have a small leak (normally caused through insufficient sealer or air bubble on assembly, dry the area thoroughly and reseal on the OUTSIDE. Please remember where you see the water this may not be exactly where the leak is as it could have run around to a low point. Never seal your inner fittings (accessories) inside unless you feel it necessary and make sure it is thin and neat, remember you will see this for the life of the shower! Again leave to cure and check. If all good now check shower functions i.e. jets for back massage, foot massage, (if you have one) and finally hand shower, check your joints to these functions at the rear again. Never use the shower until **all** checks have been made and the installer is 100% happy in the knowledge no leaks are present.

All good?

Now push your shower FROM THE BASE NEVER GLASS OR FRAME into its final resting position. Now you can shower in the knowledge that you have no leaks a job done well and long product life.

Happy showering!

TL-2070GS Control Panel Instructions



Button 1 (Lights)

Press x1 for lights (Pressing button again turns them off. Then pressing again brings them on in a different colour. Repeat the on/off procedure to select your desired lighting colour)

Button 2 (Extractor Fan)

On/Off.

Button 3 (Up Arrow)

Radio Search Up, music track select up or Volume increase.

Button 4 (Audio select)

Press to activate the Bluetooth, USB or radio functionality.

Button 5 (Mode)

Press to convert the up and down arrows to volume control. This button can also set the steam time and temperature.

Button 6 (Steam)

Control the steam outlets from the control panel.

Button 7 (Down Arrow)

Radio Search Down, music track select down or Volume decrease.

Button 8 (Power Button)

On/Off. Hold in for three to five seconds to unlock the automatically locking control panel.

PLEASE NOTE:

When the Control Panel is locked, none of the buttons will work, with the exception of the power button, which will unlock the control panel.

Need Help?

If so then simply download Insignia's free comprehensive help and troubleshooting brochure now!

Simply visit: www.insigniarange.co.uk/help.aspx



**INSIGNIA PRODUCTS
HELP I HAVE PROBLEMS AND
NEED ANSWERS NOW!**



PLEASE KEEP IN SAFE PLACE

www.insigniarange.co.uk

All images are registered with
ImageTraker

Insignia™ is a registered trademark of Maclean International Ltd

All images are subject to copyright. Images may not be used in any way shape or form without written permission from Maclean International Ltd. Images are NOT permitted to be saved, printed or uploaded. Violation of copyright laws are punishable by law.