

Insignia

INSTALLATION MANUAL

Noire1400

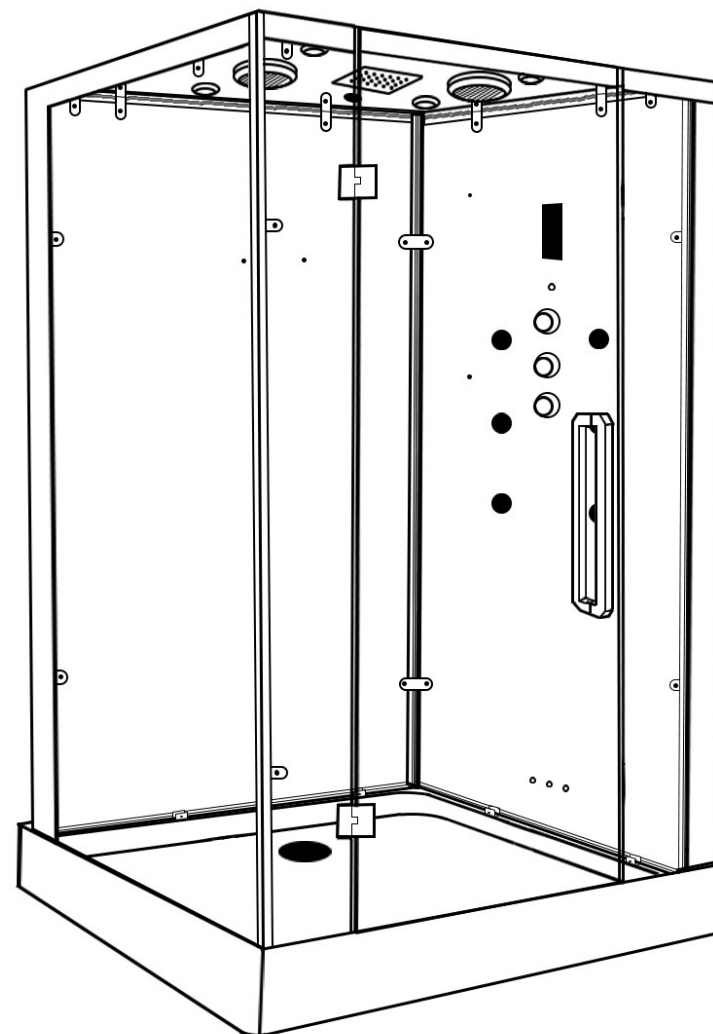


30 Day Technical Support: 01908 226545

This service is only available to customers from the day of delivery Mon-Fri 10:30-15:30, please have your supplier's details and your postcode to hand before calling.

Replacements Parts: Inside of your warranty period contact: www.insigniarange.co.uk/support

Spares/Replacements Parts: Outside of your warranty period visit www.insigniaoutlet.co.uk



ATTENTION INSTALLERS:

These instructions must be left with the customer

CHECK ALL CONTENTS BEFORE BUILD COMMENCES. NO RETURNS CAN BE MADE ONCE THE BUILD HAS STARTED AS IT IS DEEMED ACCEPTANCE OF PRODUCT!

WARRANTY REG NO: _____

To claim your full 5 year warranty, register your shower within 90 days at: www.insigniarange.co.uk/warranty

Contents

Thank you for your purchase	3
Tips for assembly	4
Electrical/Pressure/Tool requirements	5
Box contents	6
Starting the installation	8
Cutting the Seals	10
Control Panel Installation	11
Water Valve Installation	12
Body Jets Installation	14
Body Jet Pipework Installation	15
Tri-Jet Steam Outlet/AMI Installation	16
Hand Shower and Glass Shelf Installation	17
Left Panel Installation	18
Back Panel Seals Installation	19
Back Panel Installation	20
Right Panel Seals Installation	21
Right Panel Installation	22
Right Front Fixed Glass Installation	23
Left Panel/Front Fixed Glass Seal Installation	24
Left Front Fixed Glass Installation	25
Roof Accessory Installation	26

Roof Seal Installation	27
Roof Installation	28
Door Hinge Installation	29
Door Handle Installation	30
Door Installation	31
Door Seal Installation	32
Door Adjustment	33
Mounting the Steam Generator	34
Steam Generator Connections	35
Valve/Water Connections	36
Control Panel Connections	37
Connecting Covering Panel	38
Signing off your Shower	40
Control Panel Instructions	41
Parts List	43
Steam Room & Shower Safety Guide	44
Steam Room Usage Guide	45
How to use AMI System	46
Bathroom Electrical Zones	47
WEEE Compliance Statement	49

*Thank
You*

Thank you for your recent purchase of an Insignia shower. Please read this booklet with great care to ensure you get the best out of your build and have a shower that will last for many years to come! Like everything, in order to obtain a first class product that will serve you well for many years, the effort and correctness put into the assembly will reflect in the quality of your finish.

Before we start, here's our 4 top tips which may assist you...

TIP 1—Building Your Shower

This product is suitable for a DIY build, providing you are confident in your DIY abilities. Please look through this build guide and decide on whether you feel confident in undertaking this task. If you are not, seek the services of a professional and show them these instructions before hiring.

TIP 2—Hard Water

Due to the nature of this product we highly advise the purchase and fitting of a water softener.

(Please note: limescale build up may cause damage to your shower and will not be covered under warranty)

TIP 3—Installation

These showers are designed to be free standing and movable from their location should you have the need to replace anything.

ALWAYS USE Flexible braided water inlet pipes (not supplied) at least a metre long (not central heating plastic type!)

NEVER FIX with rigid pipes, **NEVER FIX** the unit to the wall or floor.

TIP 4—Sealing

When using Insignia's RubberGum, please ensure the product does not come in contact with your silicone as this will cause the RubberGum to fail and will not adhere as intended. RubberGum is immediately waterproof and will gain additional strength over time.

Electrical Requirements

Voltage Rating 220 -240AC

Frequency Rating 50HZ

Power Rating 2.8KW

Your electrical contractor should understand **ALL** legal requirements of connection before undertaking any work or installation.

UNDER NO CIRCUMSTANCES UNDERTAKE THIS YOURSELF!!!

Note for electrician: This product comes with 13 amp plug (s) fitted with an RCD unit. We leave it this way for you to connect it your own way due to continued additions to current regulations.

1) Connect within current laws and IP directives.

2) (Preferred) Wire into isolated fused feed connecting directly to the house consumer/service box.

Always use protection against electrical surge. Your shower should be treated the same as a home computer. A surge protector should eradicate the possibility of either the transformer or control panel being burnt out.

Electrical work needs to be signed off by a fully qualified operative by law. Failure to adhere to this will not only void your electrical warranty for your shower, but could void your house insurance too.

Pressure/Water Requirements

We recommend a BAR pressure between 2.5 and 3.4 BAR. If you have a combi boiler system no problem should be experienced. If you have a gravity feed older type installation (hot water tank type usually less than 1 BAR) you will almost certainly need a pump. We cannot advise on which type of pump is used, location or design because all house plumbing layouts vary. This is a job for your installer/plumber. The end delivery however must fall within the scope above.

Important Note Do not exceed 3.4 BAR pressure under any circumstances. Warranty is void if so as damage will occur. If you have a combi supply, please use a pressure reducing valve if required to lower the BAR pressure to the shower.

Please Remember that this product is free standing and is designed to be pulled away from the wall.

The waste hose must be of a flexible type (**1m flexible waste supplied**).

The water supply pipes need to be at least 1 metre in length and must be that of a flexible braided type (**not supplied**).

DO NOT OVERTIGHTEN THE BRAIDED HOSES AS IT CAN CAUSE THE CONNECTION TO POP AFTER A FEW WEEKS OF USE.

Always fit easy to get to isolation taps on both hot and cold water supply (not supplied). Just like a dishwasher or washing machine, this product **MUST** be isolated when not in use.

Tools Required

You will require:

- Scissors
- Knife
- Spirit Level
- Tape Measure
- Philips Screwdriver
- Electric Drill
- Safety Gloves
- Safety Glasses

Parts Required

- RubberGum (supplied)
- Plumbers Mait (not supplied)
- Hot and cold isolation valves (not supplied)
- 2 x Braided hoses (not supplied)

What's in the Boxes?

Box	Contents	Quantity	✓
Tray	Shower Tray, Waste Trap & Hose	1	[]
Right Front Fixed Glass	Magnetic Door Seal	2	[]
	Cushioned 'U' Shaped Seal	3	[]
	Bottom Door Seal	1	[]
	Bottom Glass Water Deflector Seal	5	[]
	Black Rigid Corner Seal	2	[]
	Flexible Seal (Door to Fixed Glass	1	[]
	Rigid 'U' Shaped Seal	6	[]
	7mm Fixed Glass Ribbed Seal	1	[]
Right Front Fixed Glass	1	[]	
Left Side Glass	Left Side Panel	1	[]
Right Side Glass	Right Side Panel	1	[]

Box	Contents	Quantity	✓
Back Panel	Back Panel	1	[]
Door Pack	Door	1	[]
	Left Front Fixed Glass Panel	1	[]
Wood Effect Floor (White)	White Wood Effect Floor	1	[]
Wood Effect Stool (White)	White Wood Effect Stool	1	[]
Accessories	(See next page)	1	[]

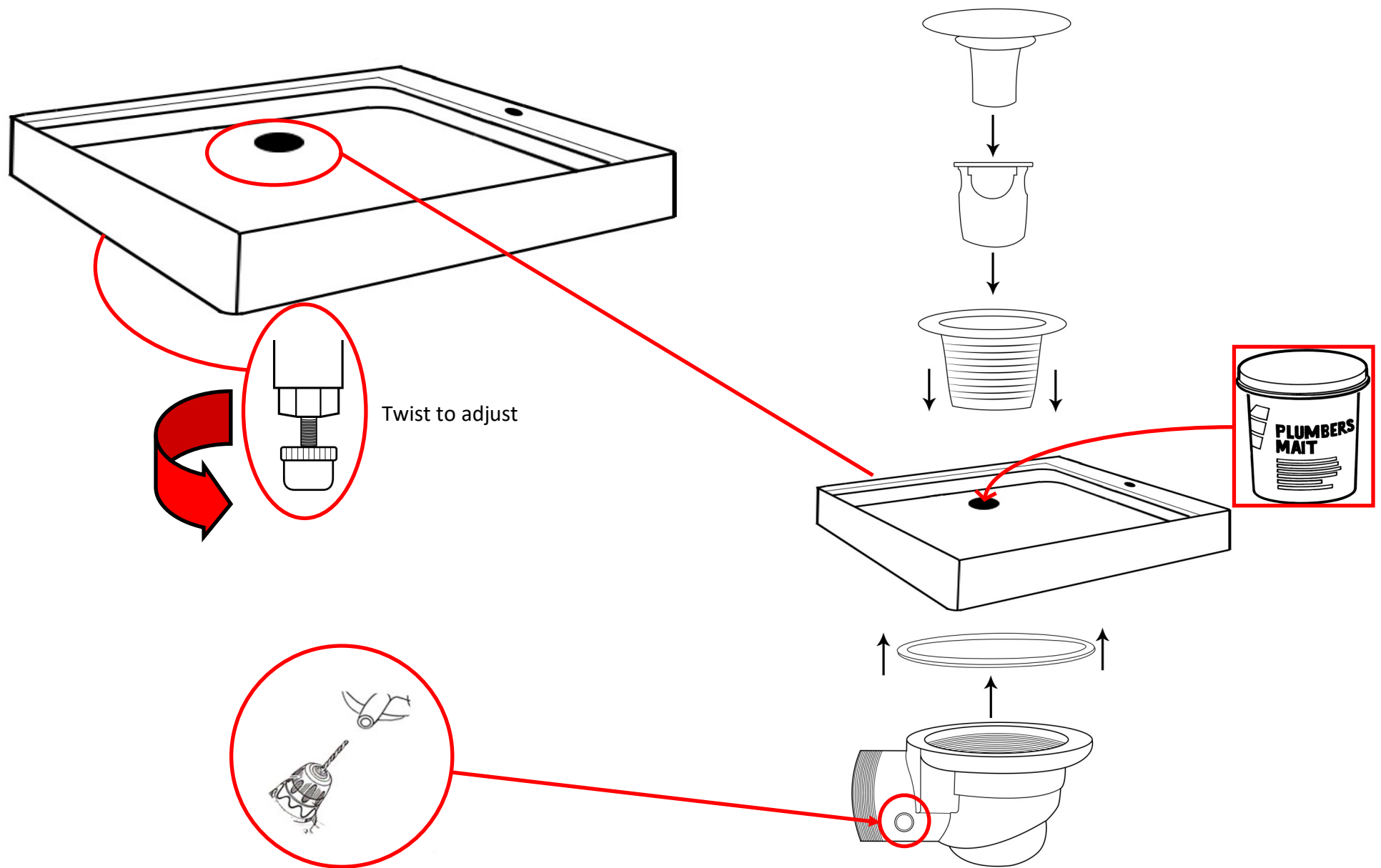
VERY IMPORTANT

Have you got everything? If not please contact the Insignia Support Line on **01908 226545**. Remember **NEVER** book your tradesman until everything has arrived, been checked and is present. No replacement/missing parts can be obtained free of charge during or after the build. Any claims can only be within the timescale permitted (48 hours after delivery) and always **BEFORE** build.

Accessories	Hand Shower	1	[]
	Hand Shower Hose	1	[]
	Riser Rail	1	[]
	Insignia Control Panel	1	[]
	Body Jets	6	[]
	Body Jets Connectors (2 open ends)	4	[]
	Body Jets Connectors (1 open end)	1	[]
	PVC hose	3	[]
	Valve	1	[]
	Glass Shelf	1	[]
	Tri-Jet Outlet	1	[]
	Jubilee Clips	20	[]
	90 Degree Brackets	14	[]
	20mm Screws	16	[]
	Glass Support Brackets	8	[]
	Door Handle	1	[]
Door Hinge	2	[]	

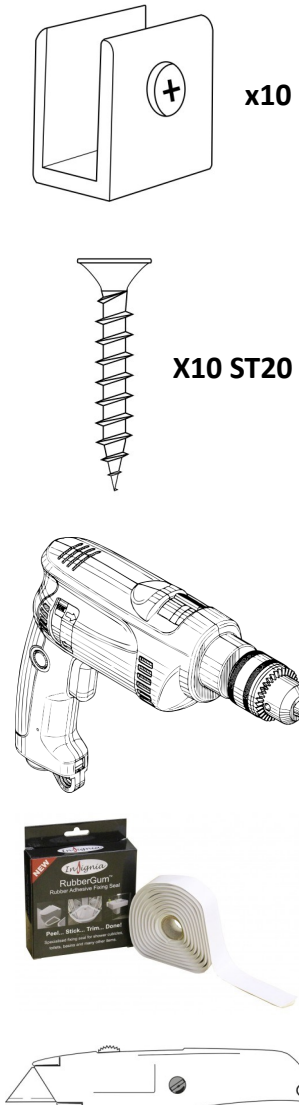
Accessories	LED Spotlights	4	[]
	Ozone	1	[]
	Speaker Covers	2	[]
	Speakers	2	[]
	Monsoon Shower Head	1	[]
	Monsoon Perspex Connector	1	[]
	Steam Generator	1	[]
	Steam Generator Thermo Hose	1	[]
	90 Degree Elbows	2	[]
	Body Jets Washers	6	[]
	Body Jets T piece	1	[]

Step 1 — Level the Tray and connecting the waste

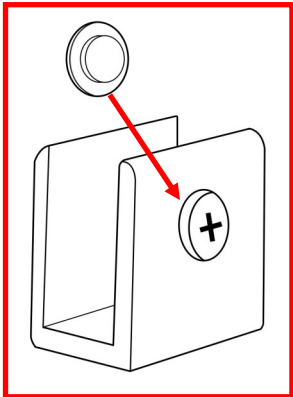


NOTE: Check the Spigot is drilled out prior to fitting. If it isn't ensure you drill it out!

Step 2 — Connecting Tray Brackets

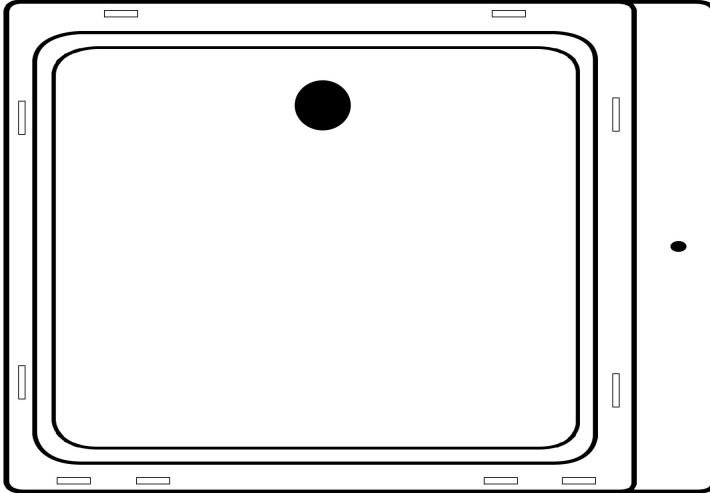
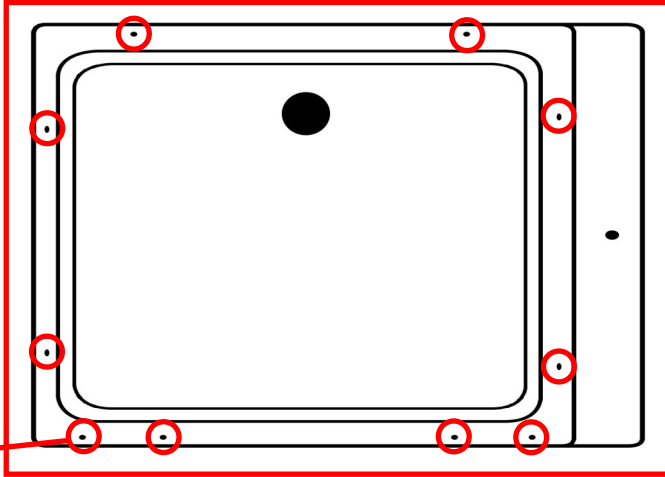
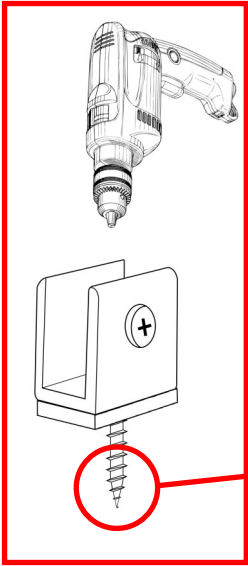
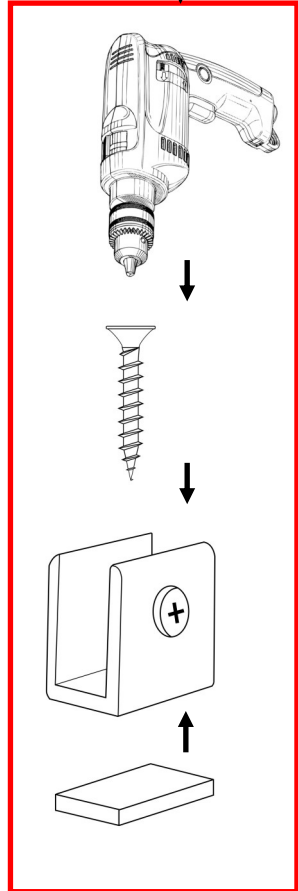
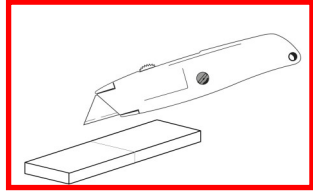


Place Rubber Spacer inside the grub screw to protect the glass panels

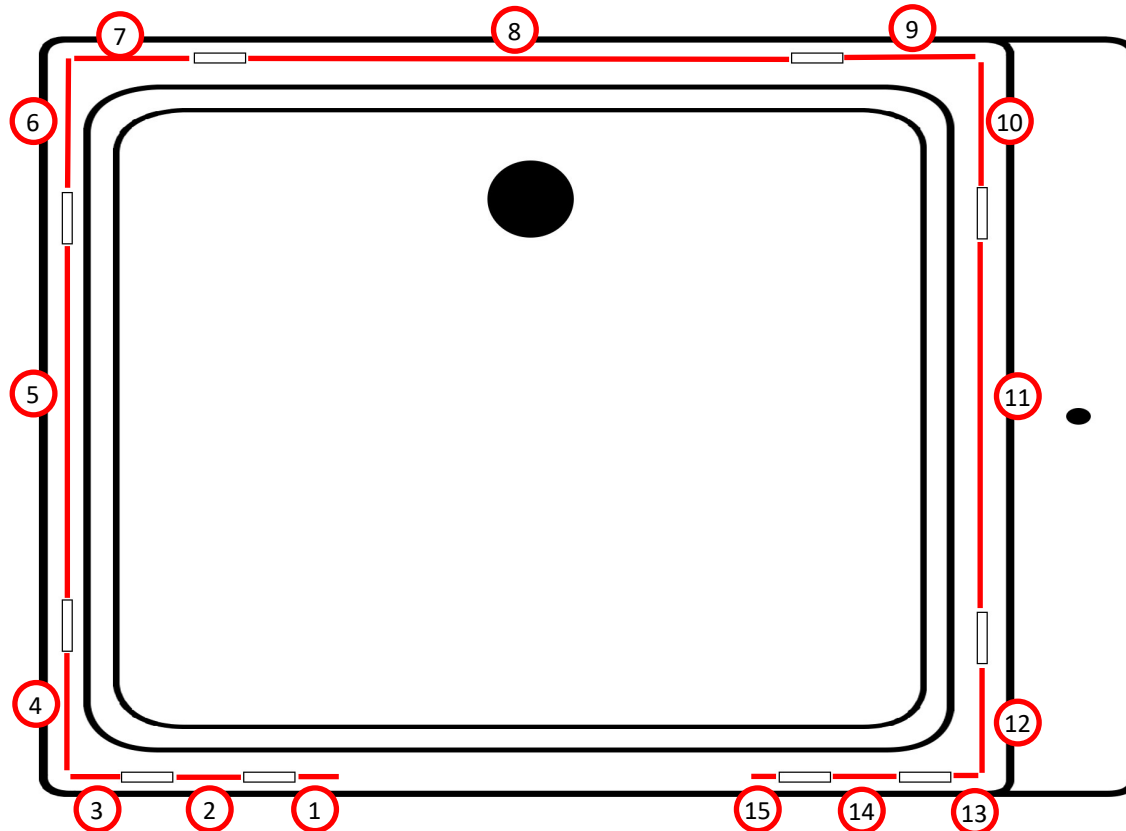
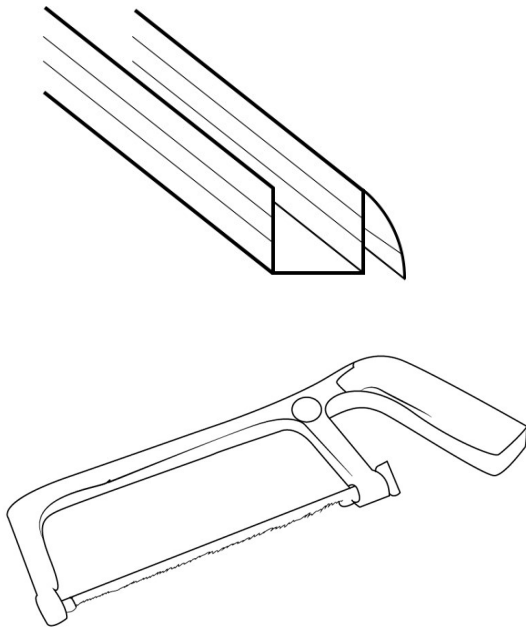


Please Note: The grub screw should be on the inside of the shower

Cut RubberGum and apply to the bottom of each bracket.



Step 3 — Cutting the Seals for the base of the panels

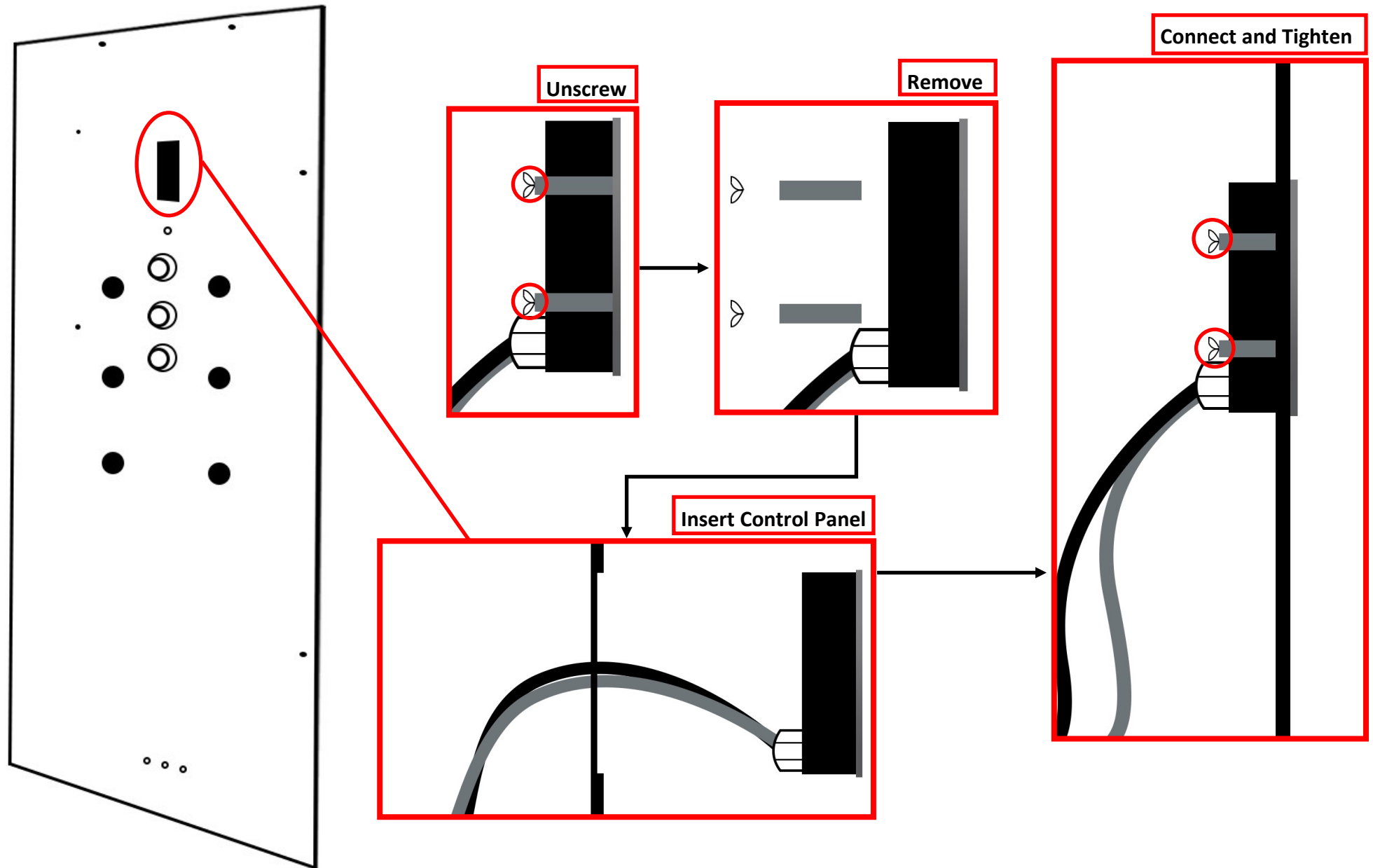


Cut down the seals to the lengths below:

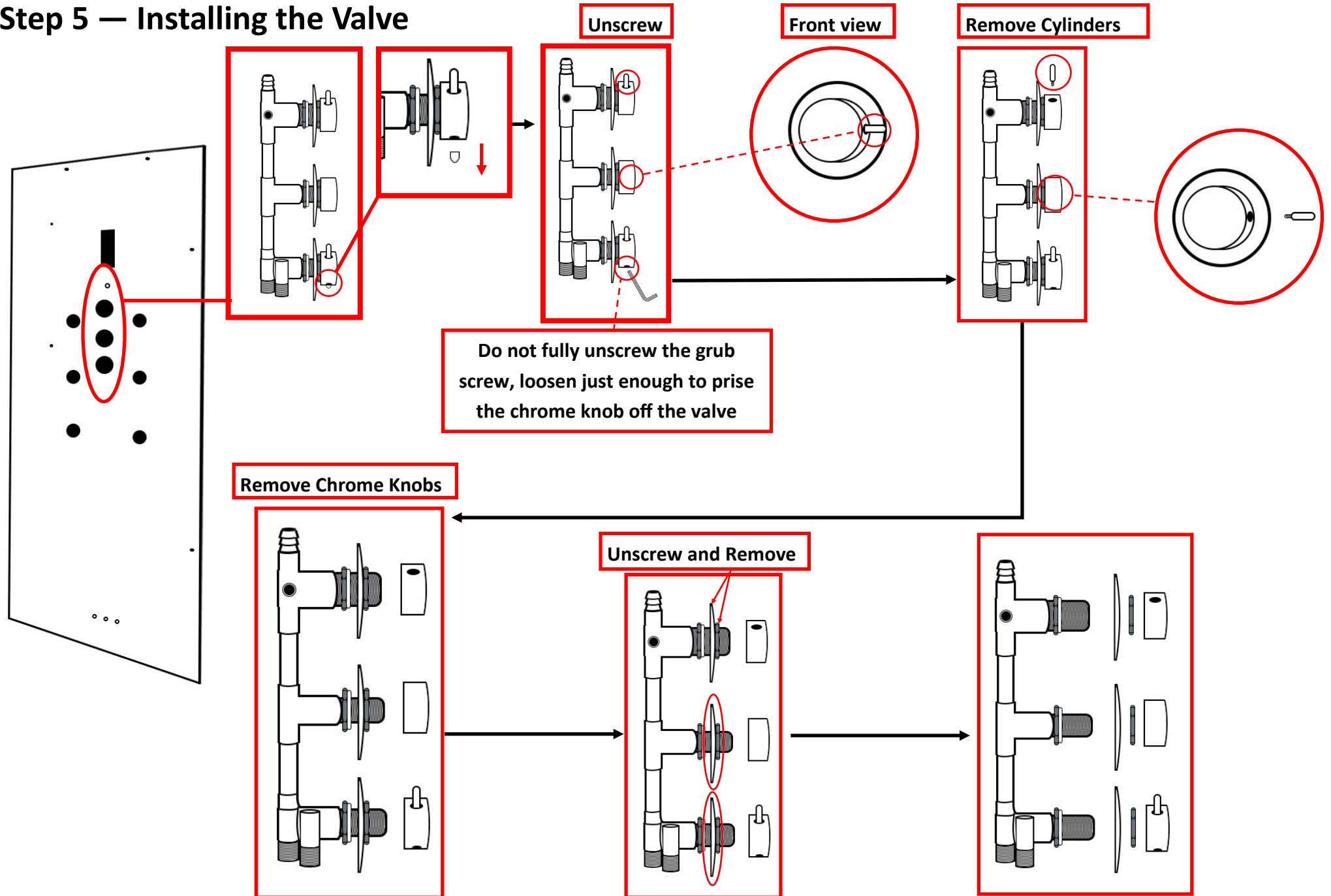
- 1) 50mm
- 2) 220mm
- 3) 45mm
- 4) 115mm
- 5) 465mm
- 6) 130mm
- 7) 130mm
- 8) 860mm
- 9) 125mm
- 10) 120mm
- 11) 460mm
- 12) 115mm
- 13) 30mm
- 14) 140mm
- 15) 30mm

TIP! During the build you will need to insert these cut pieces underneath the upright panels, so we recommend you keep them in an order that is easy to locate them.

Step 4 — Installing the control panel

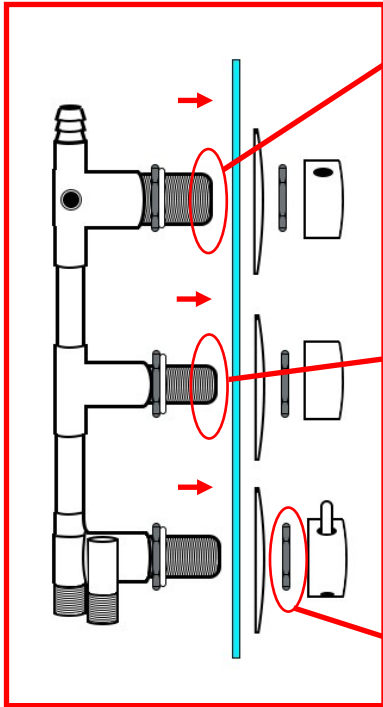


Step 5 — Installing the Valve



Step 5 — Installing the Valve continued

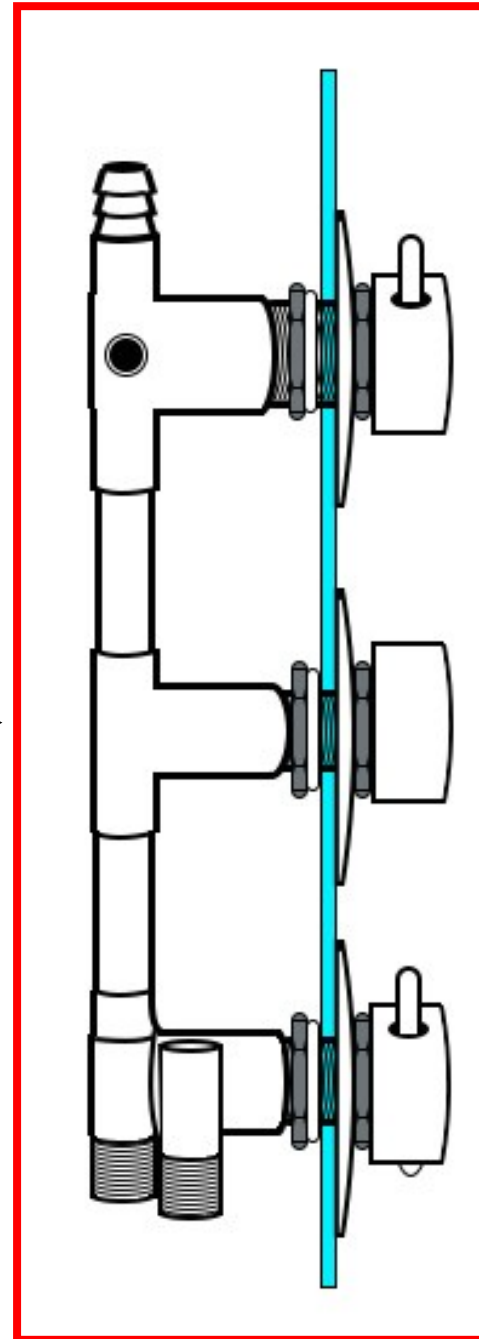
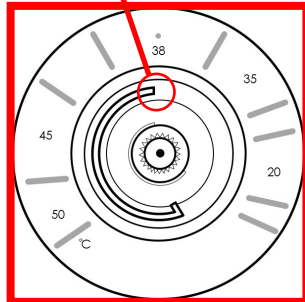
Insert Valve from rear then reconnect dials



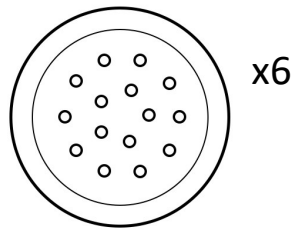
Align cylinder with red marking on the outer shroud and replace the chrome knob in to that position.

Turn the cartridge fully clockwise and reconnect the chrome knob at the "3 'o' clock" position.

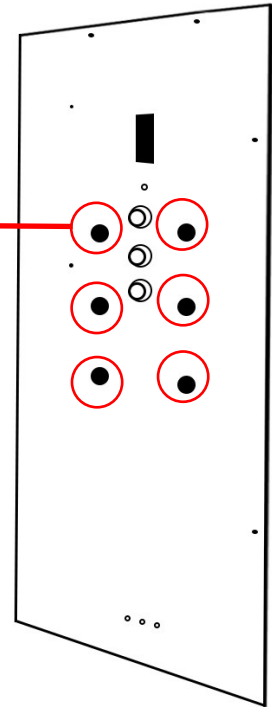
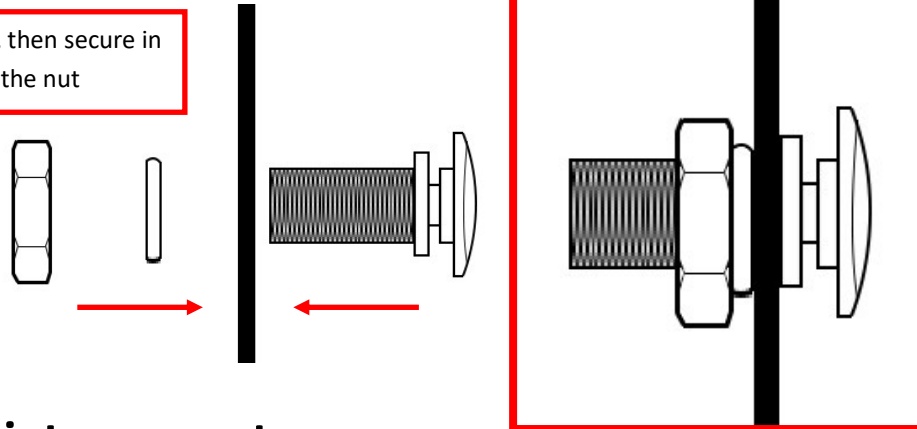
Ensure the 'G' shaped safety lock ring is aligned with 38 degrees and align the chrome knob to fit at the "12 'o' clock" position.



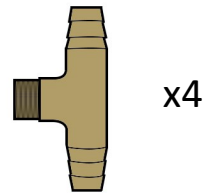
Step 6 — Installing the body jets



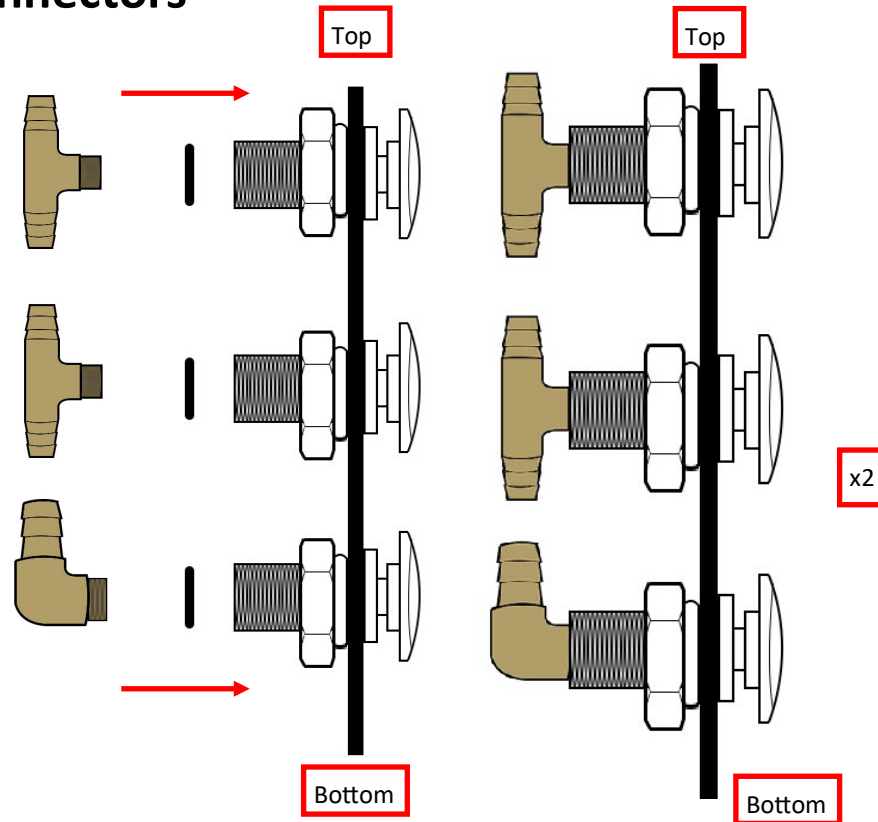
Place washer, then secure in position with the nut



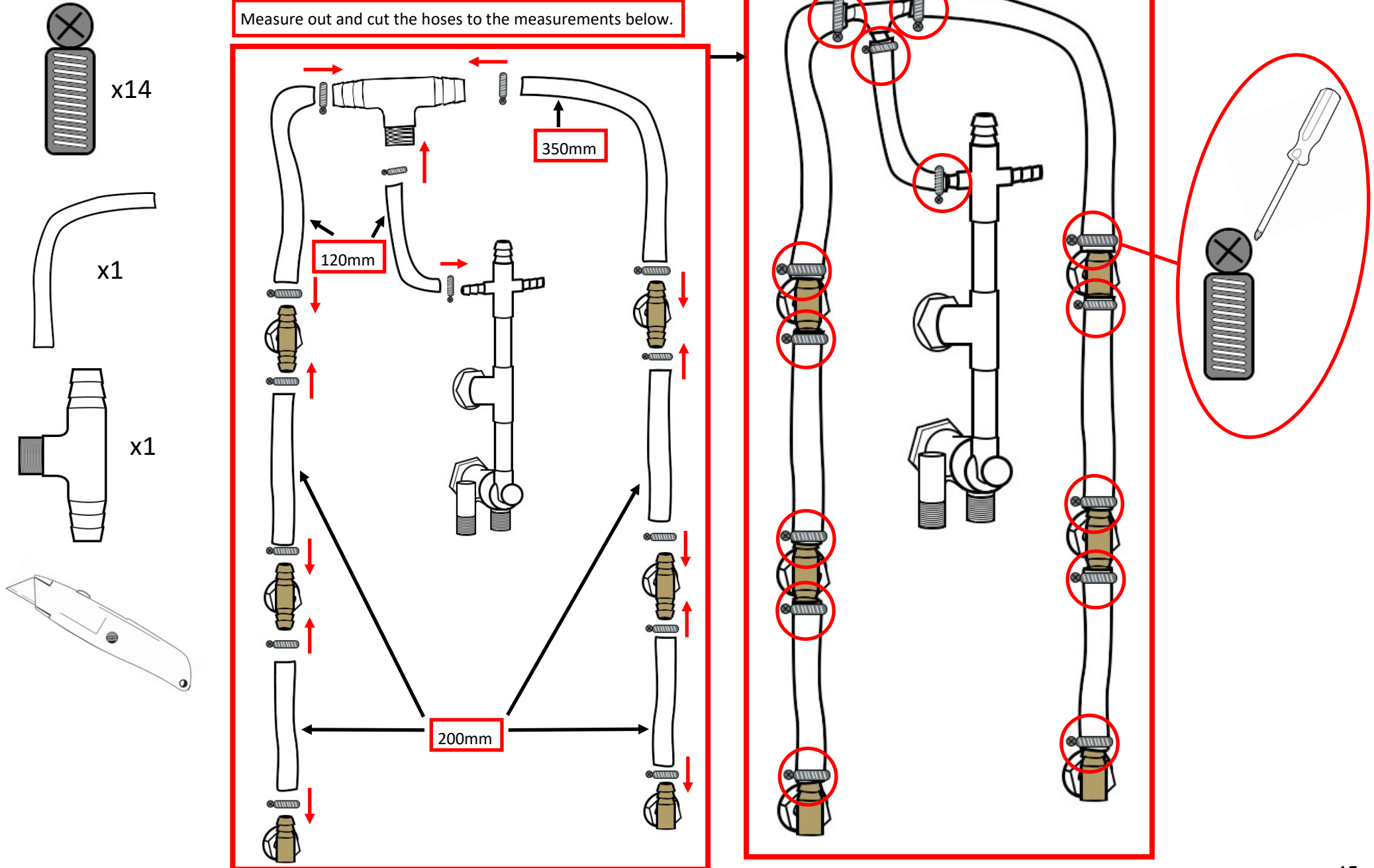
Step 7 — Installing the body jets connectors



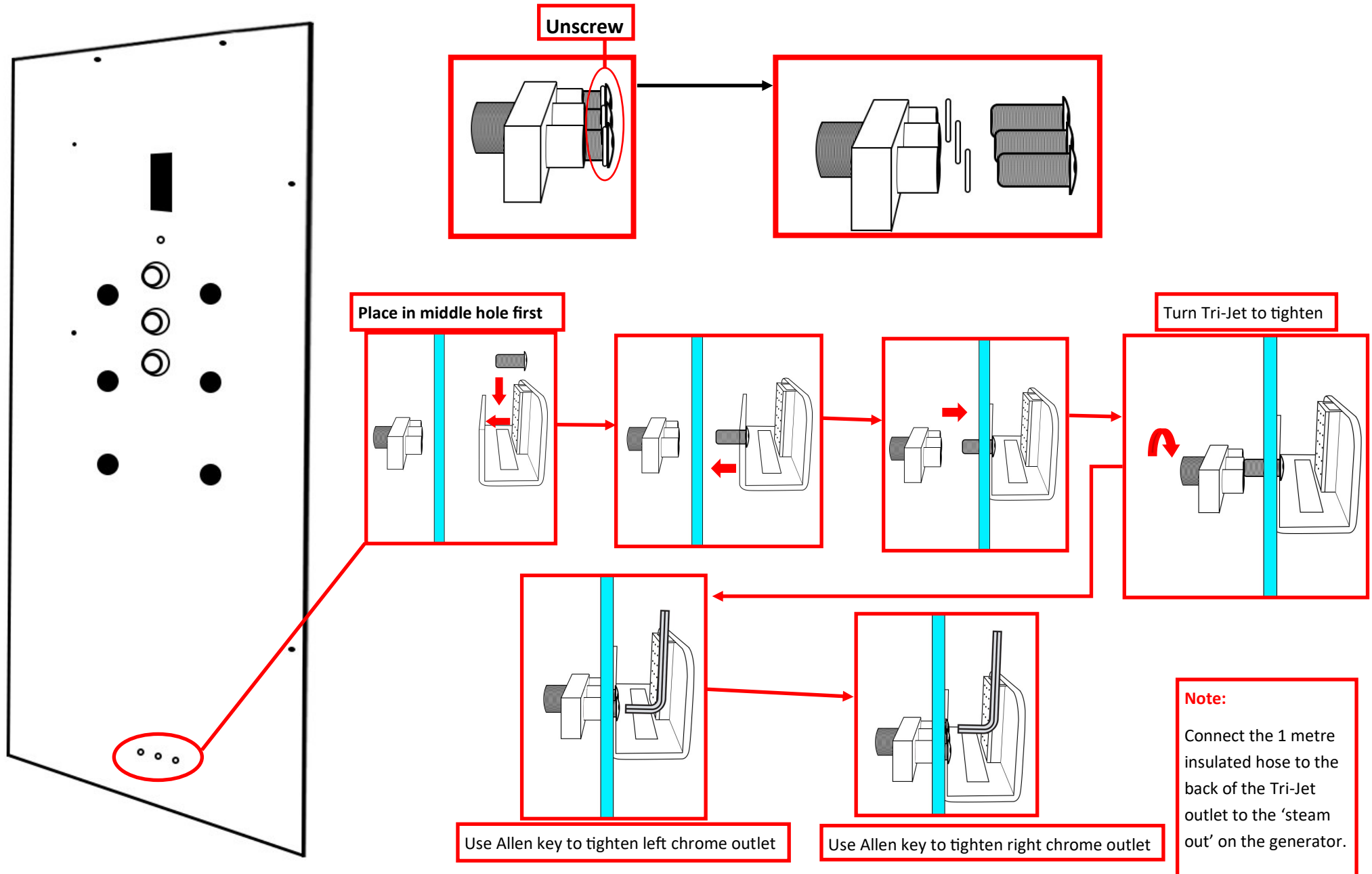
Place washer in the jet, then screw connectors into position as shown.



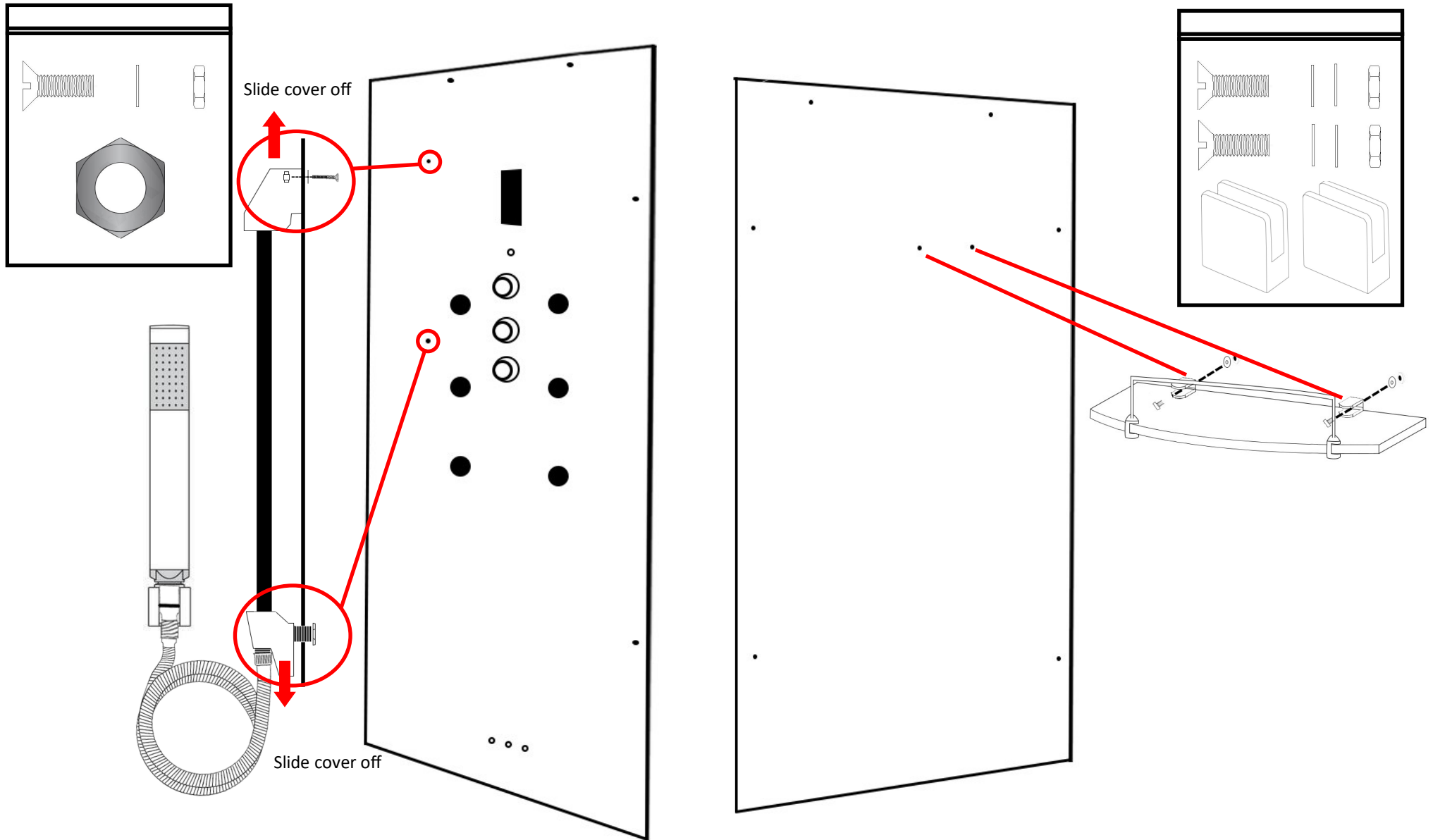
Step 8 — Installing body jets pipework



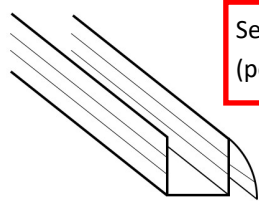
Step 9—Installing Tri-Jet Steam Outlet



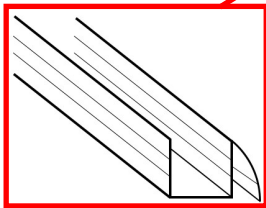
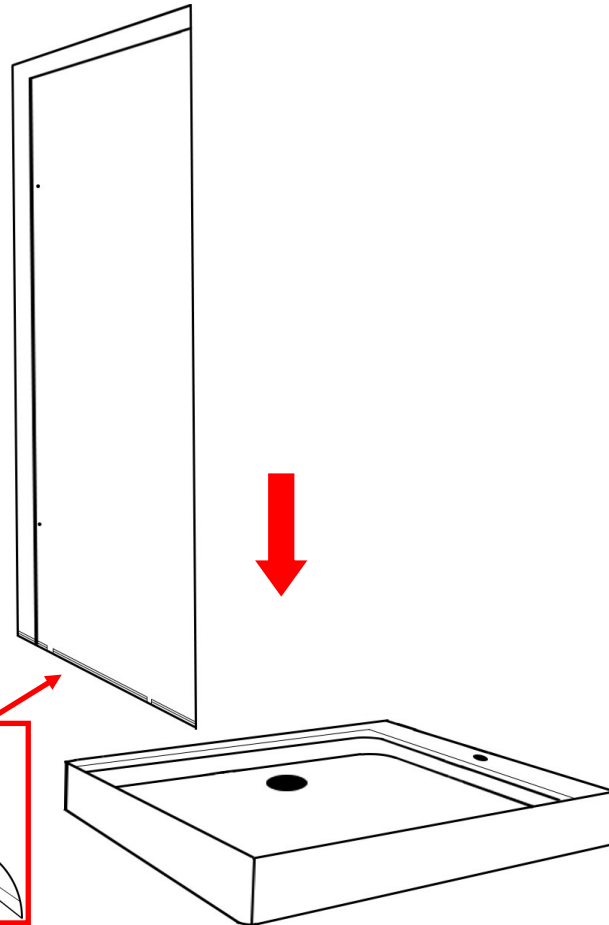
Step 10—Installing Hand Shower and Glass Shelf



Step 11 — Installing Left Panel & Seals

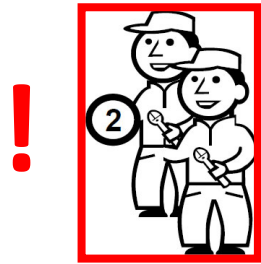
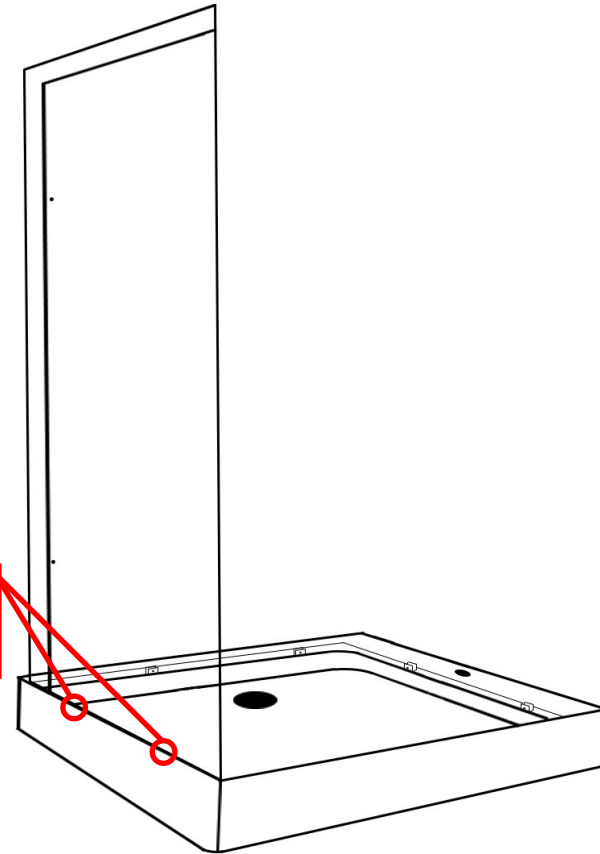


Seals cut from step 3
(position 4, 5 and 6)

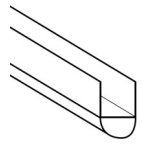


Flap goes on the inside of the shower

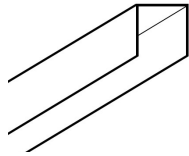
Locate panel into upstands



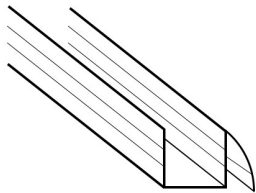
Step 12 — Installing Seals on the back panel



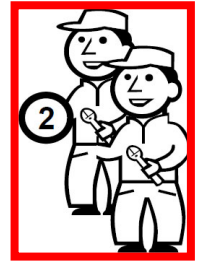
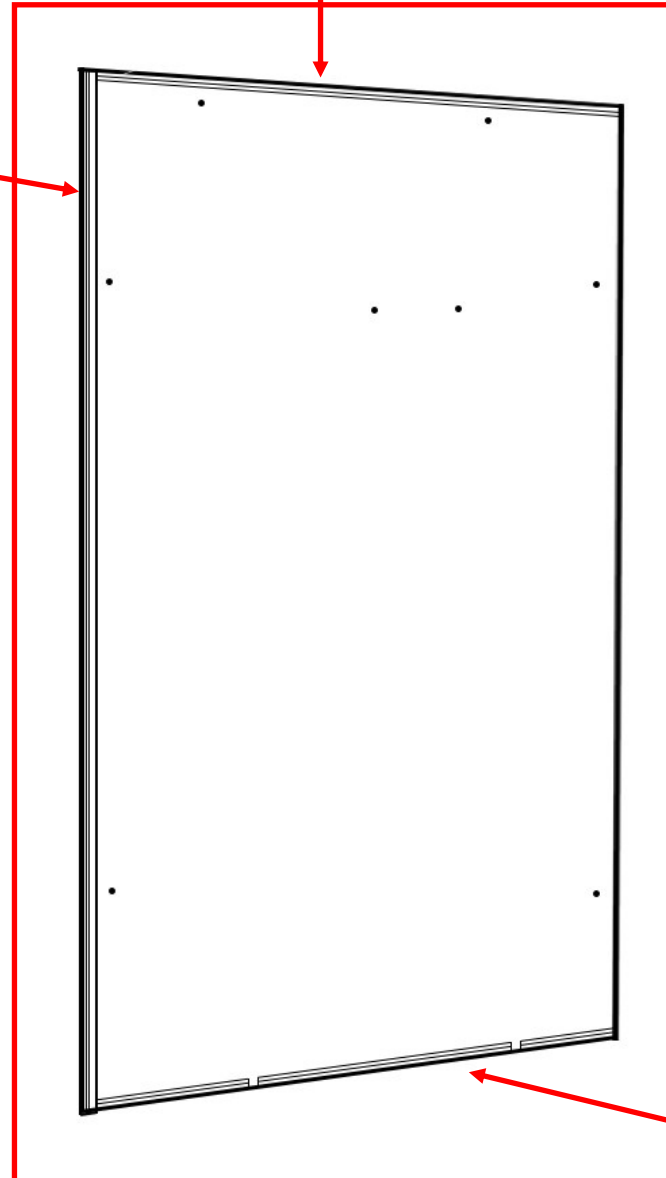
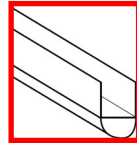
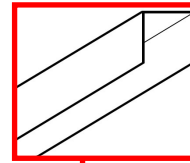
X1—1930mm Approx. length



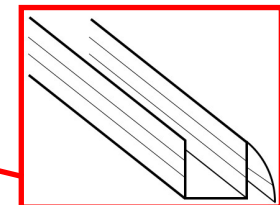
X1—1230mm Approx. length



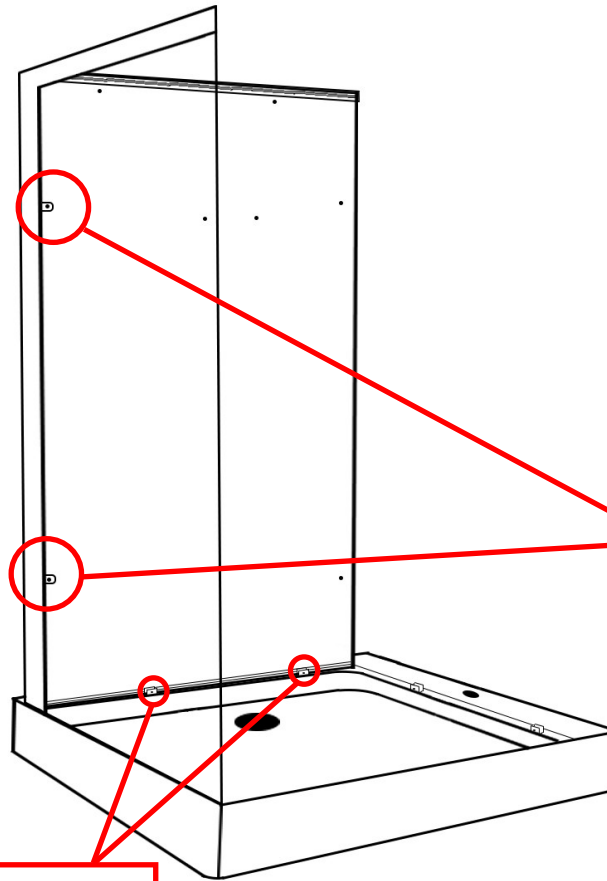
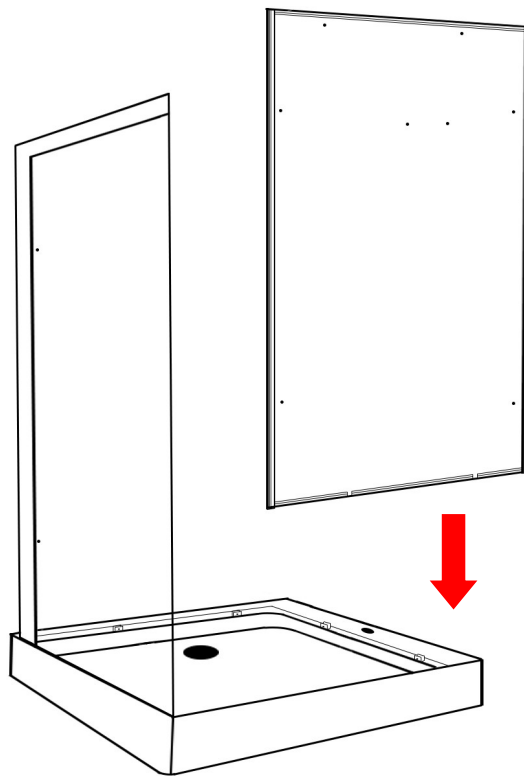
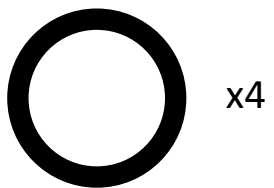
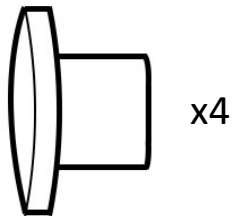
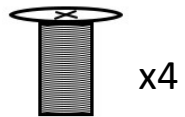
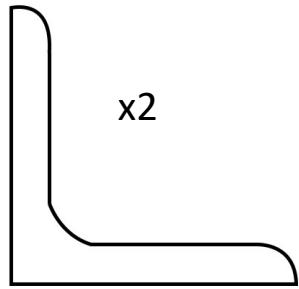
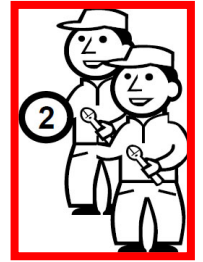
Seals cut from step 3
(position 7, 8 and 9)



Flap goes on the inside of the shower

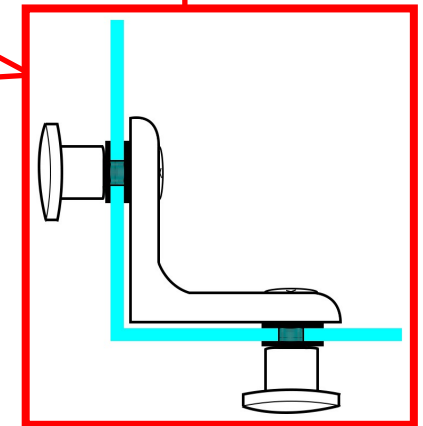
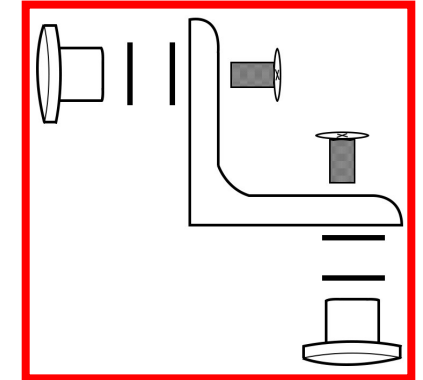


Step 13 — Installing back panel



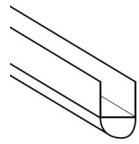
Locate panel into upstands

Bracket fits to inside of the shower

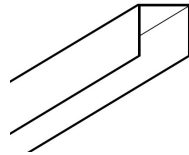


Do not tighten fully. Tightening fully may cause other connections to not align.

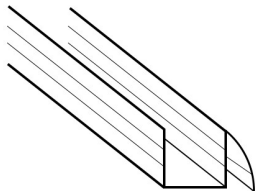
Step 14 — Installing Seals on the right panel



X2—1930mm Approx. length

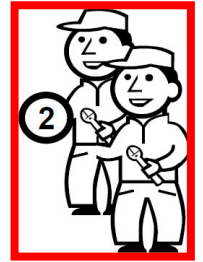
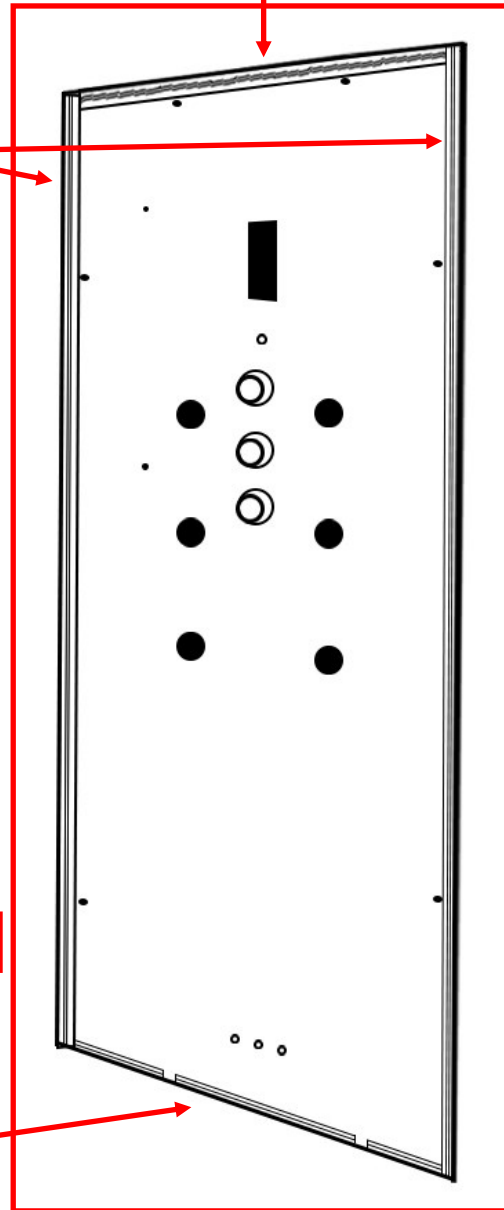
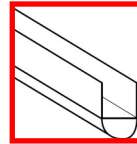
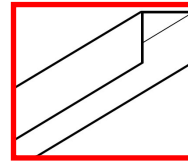
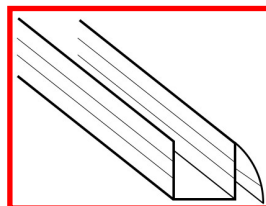


X1—780mm Approx. length

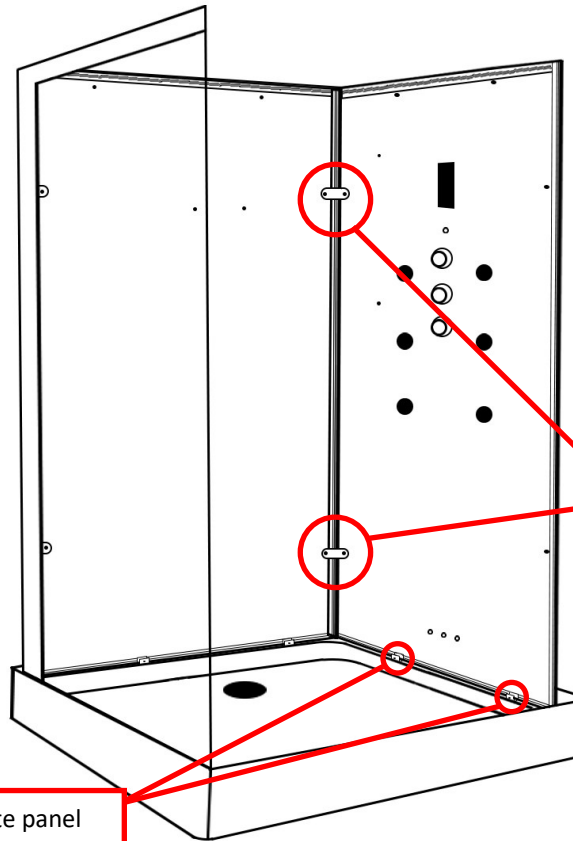
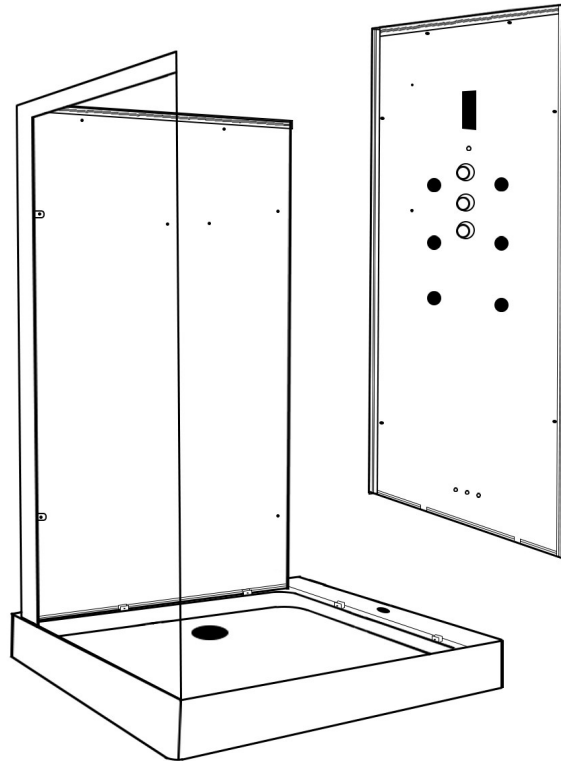
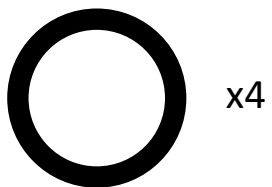
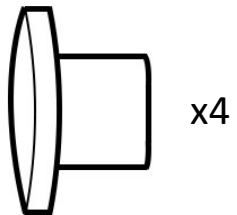
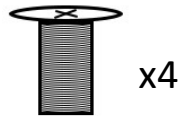
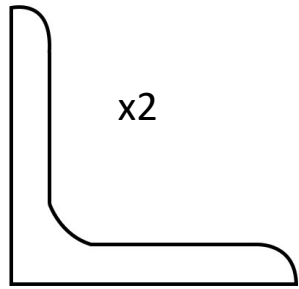
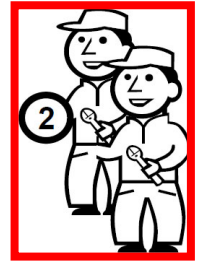


Seals cut from step 3
(position 10, 11 and 12)

Flap goes on the inside of the shower

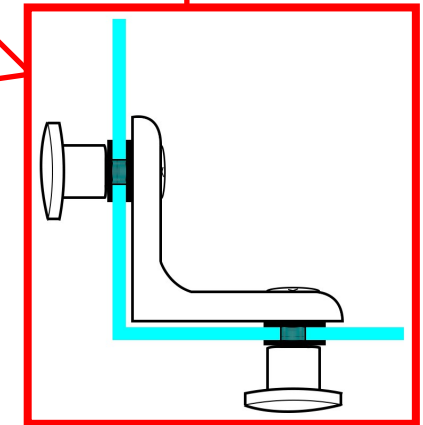
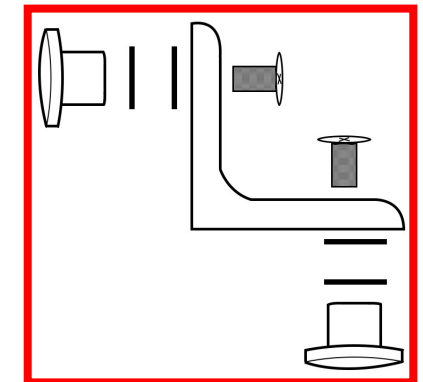


Step 15 — Installing right panel



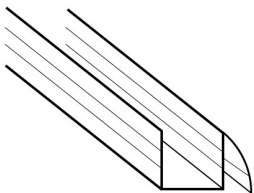
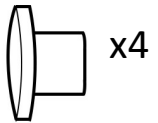
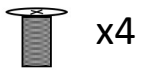
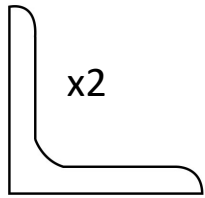
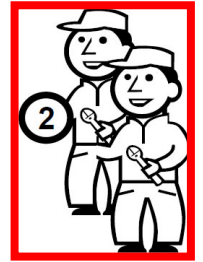
Locate panel into upstands

Bracket fits to inside of the shower

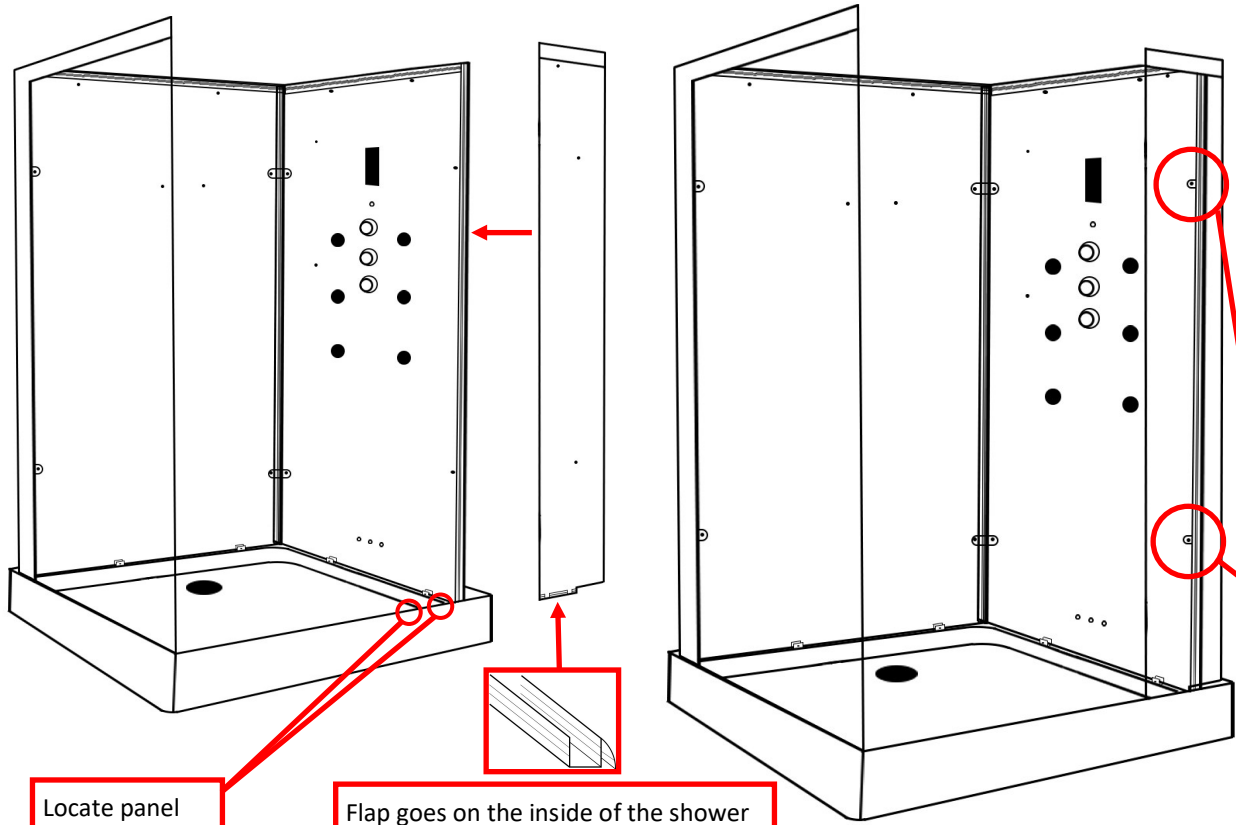


Do not tighten fully. Tightening fully may cause other connections to not align.

Step 16 — Installing the Right Front fixed glass panel



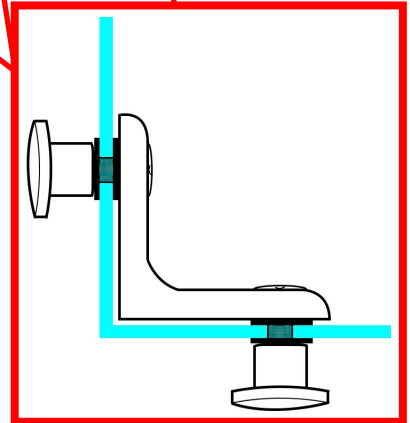
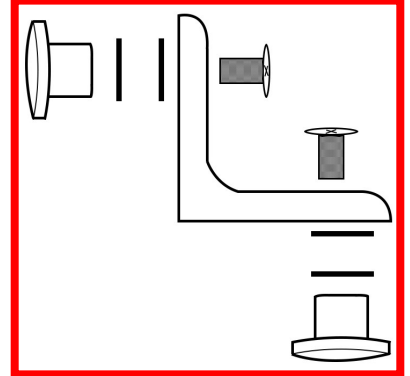
Seals cut from step 3
(position 13, 14 and 15)



Locate panel
into upstands

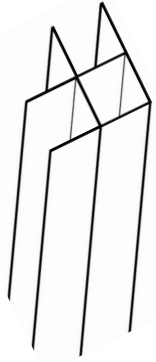
Flap goes on the inside of the shower

Bracket fits to inside of the shower

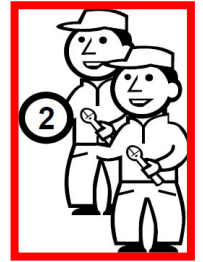
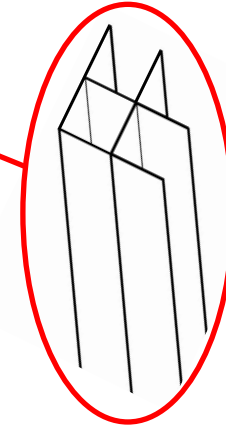
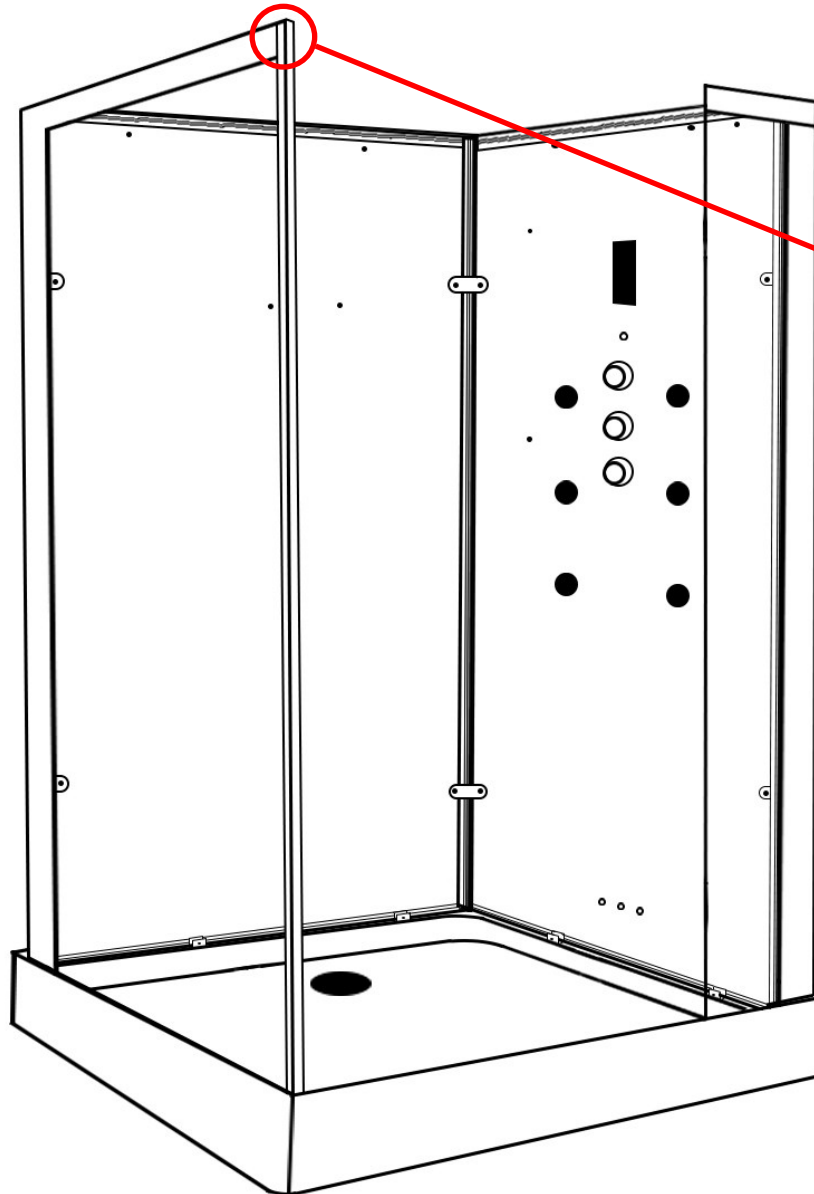


Do not tighten fully. Tightening fully may
cause other connections to not align.

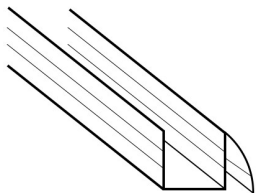
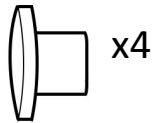
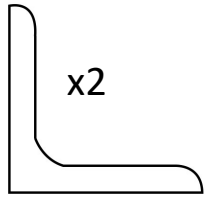
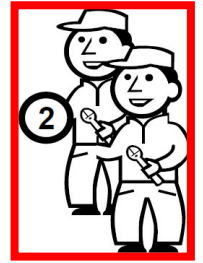
Step 17 — Installing the right angled seal to the left panel



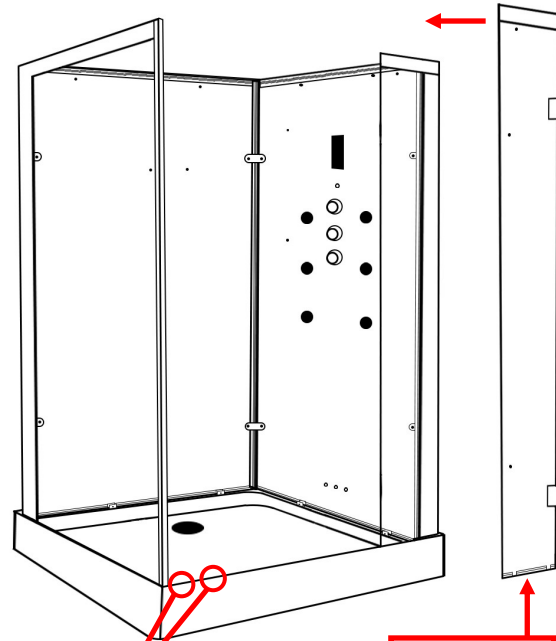
X1 plastic 90 degree rigid corner seal



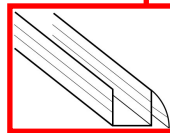
Step 18 — Installing the left front fixed glass panel



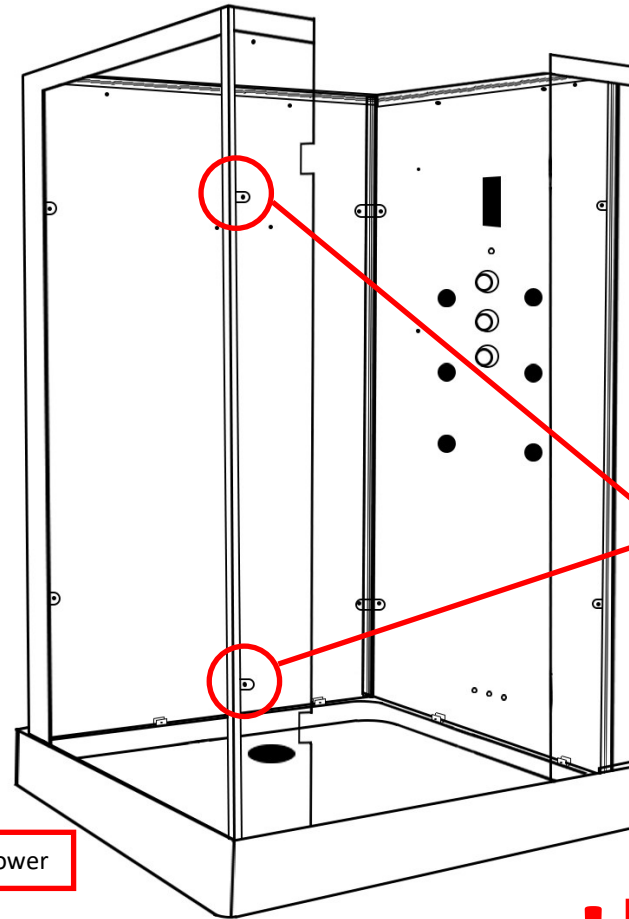
Seals cut from step 3
(position 1, 2 and 3)



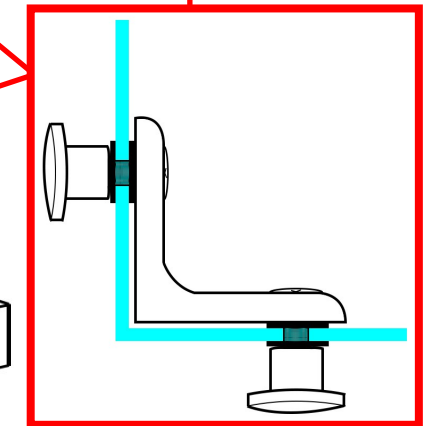
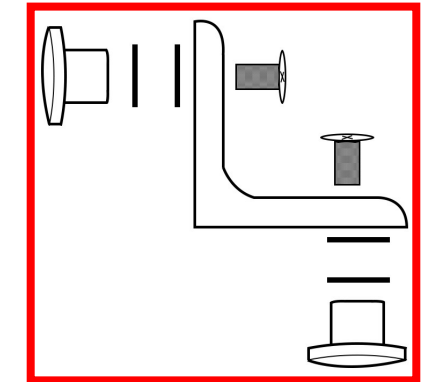
Locate panel
into upstands



Flap goes on the inside of the shower

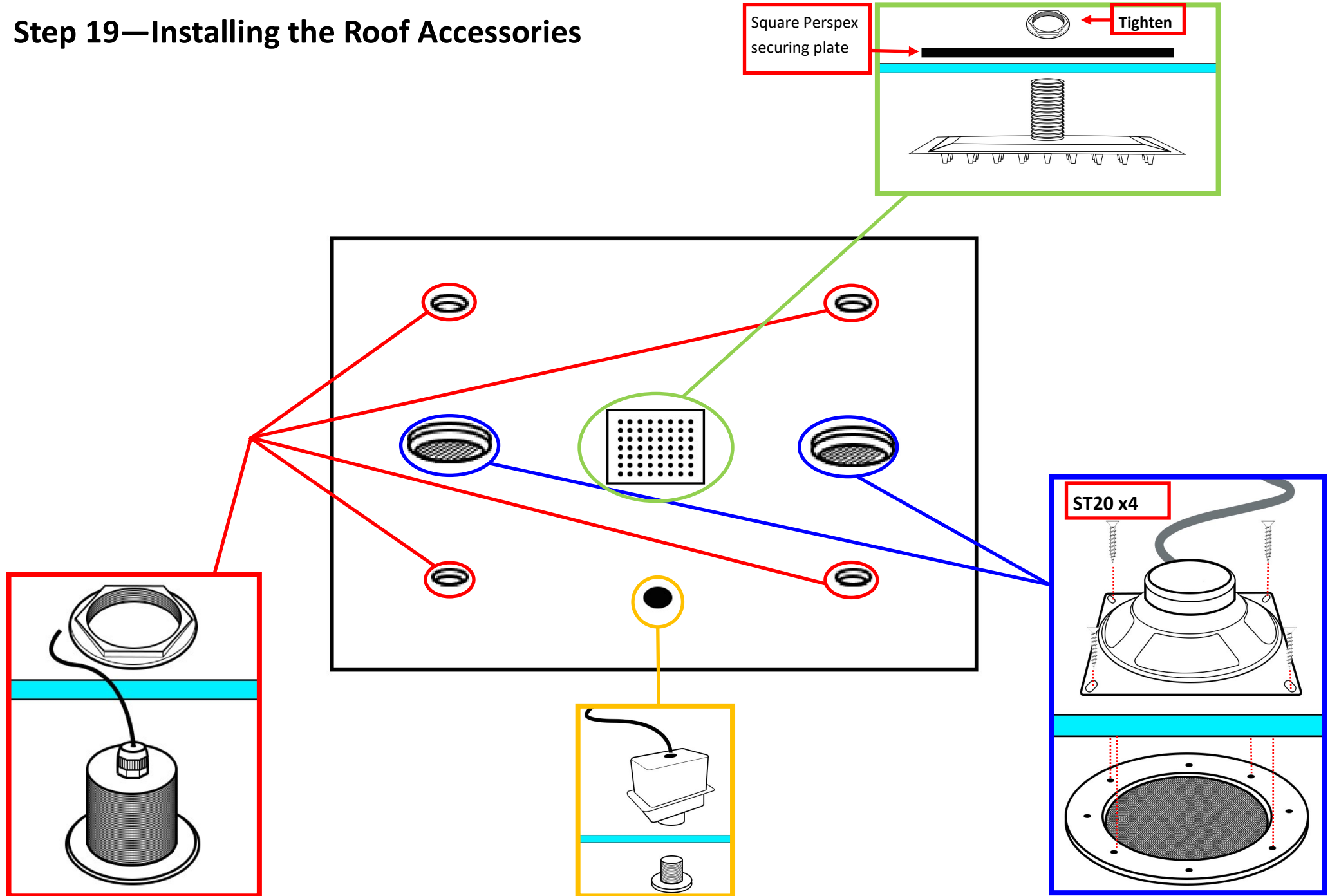


Bracket fits to inside of the shower

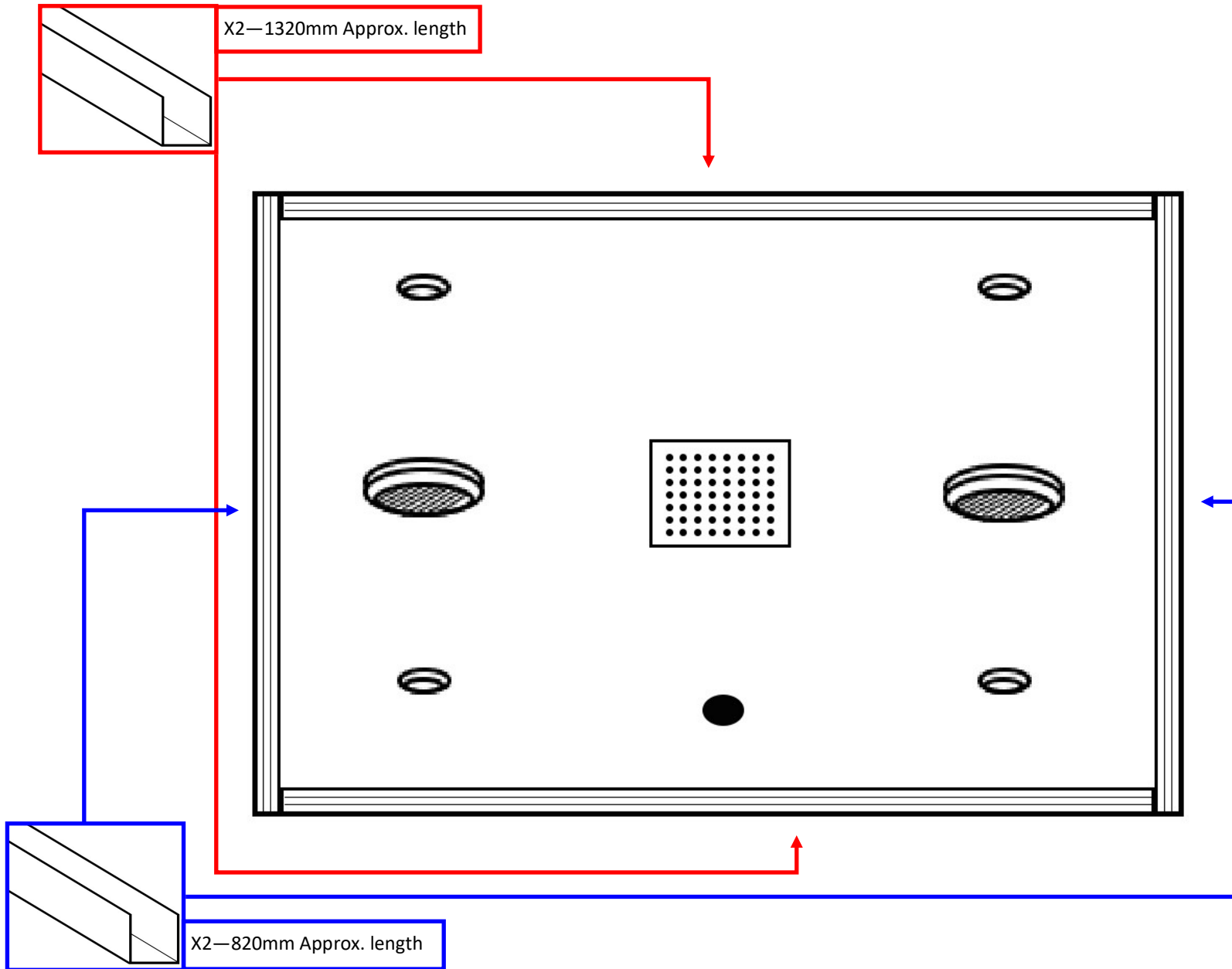


Do not tighten fully. Tightening fully may
cause other connections to not align.

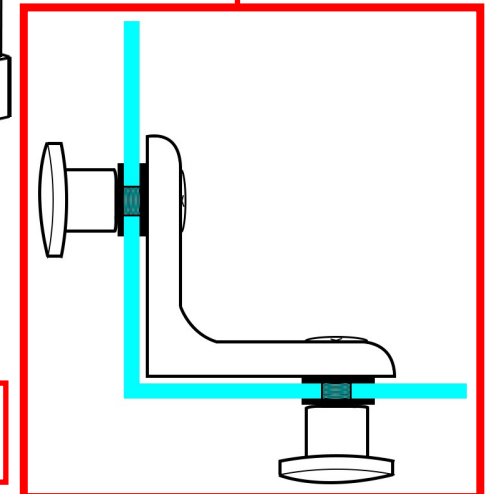
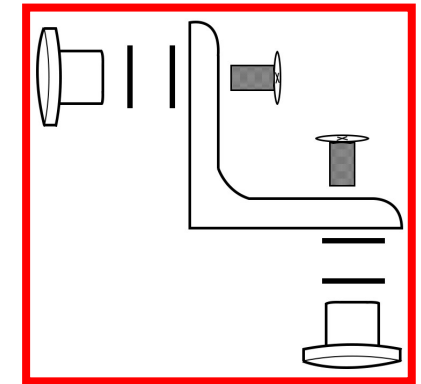
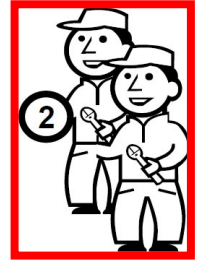
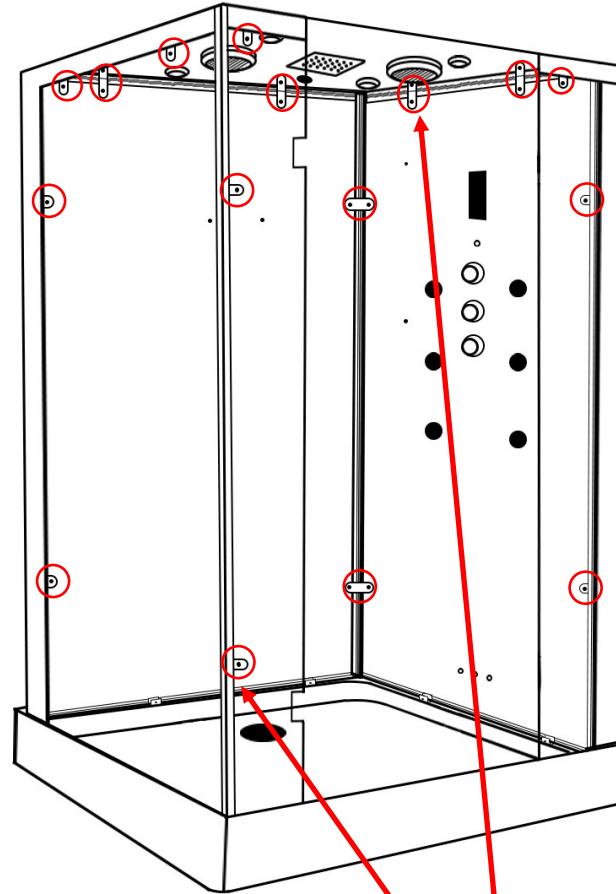
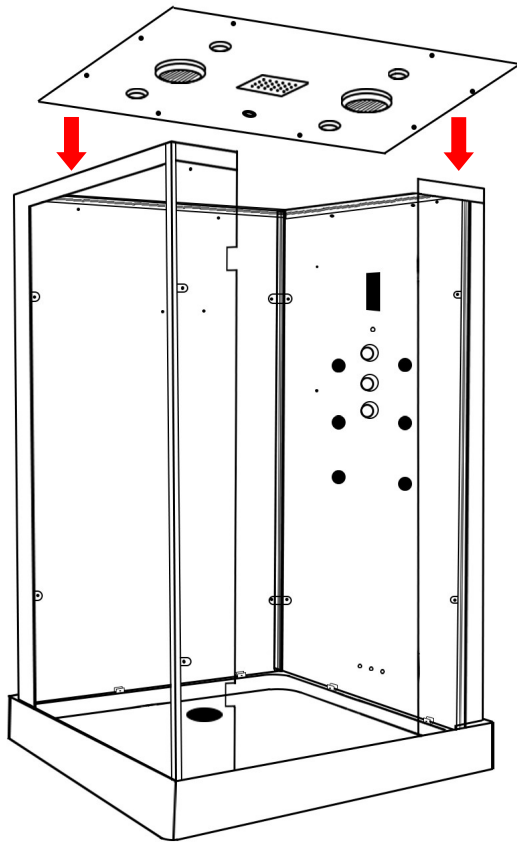
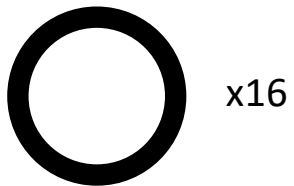
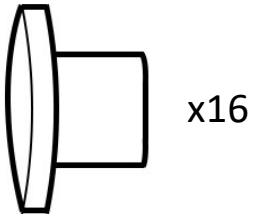
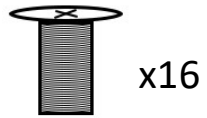
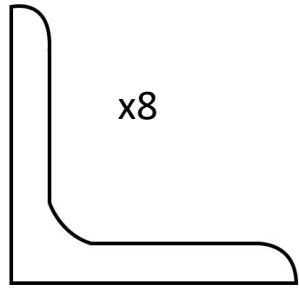
Step 19—Installing the Roof Accessories



Step 20 — Installing the Roof Seals

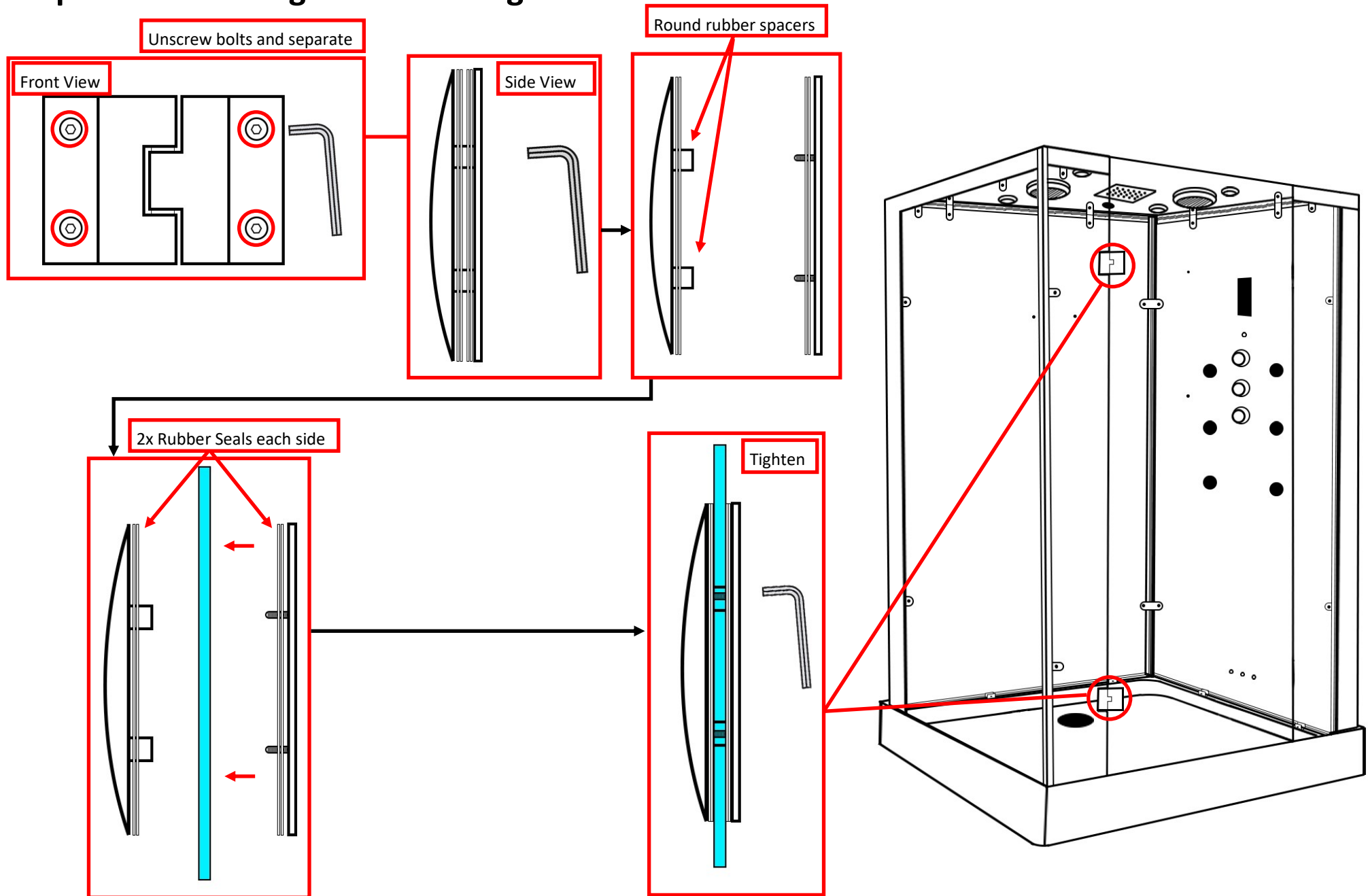


Step 21— Installing the Roof

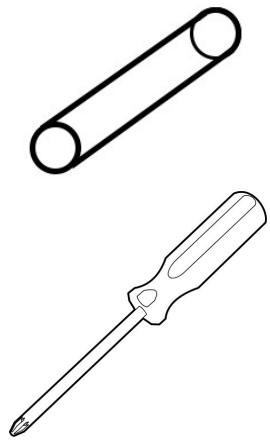


Tighten **ALL** bracket connections fully on the roof and the surrounding panels.

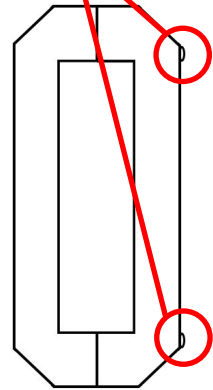
Step 22 — Installing the Door Hinges



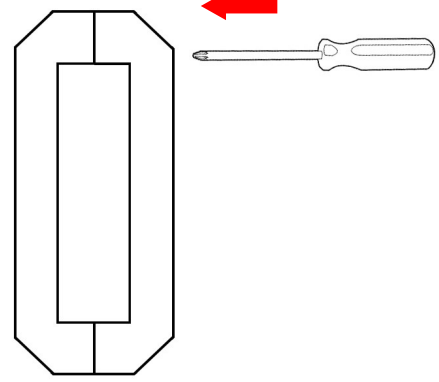
Step 23—Installing the Door Handle



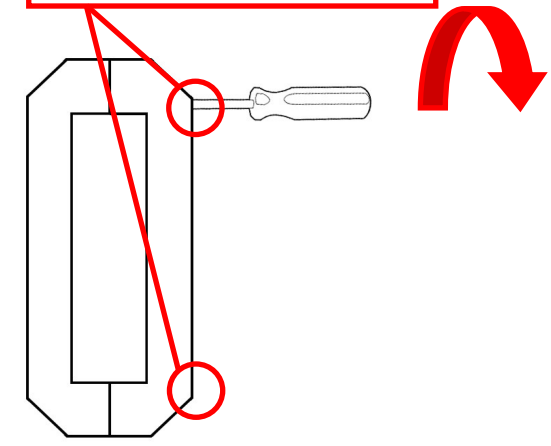
Remove Screw Caps



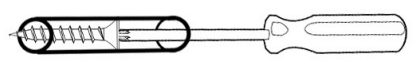
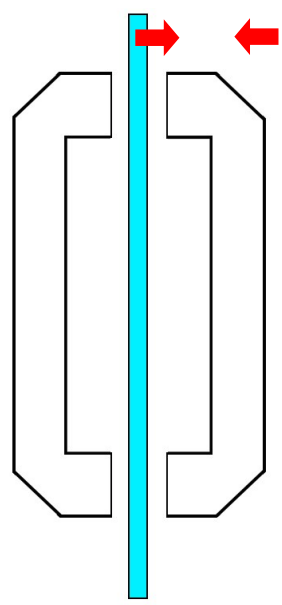
Insert Screwdriver



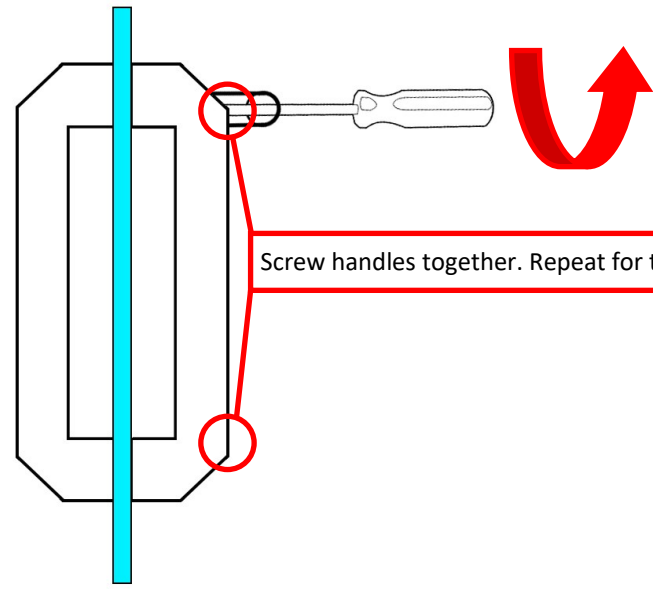
Unscrew and repeat for the bottom



Place a handle on either side of the glass door

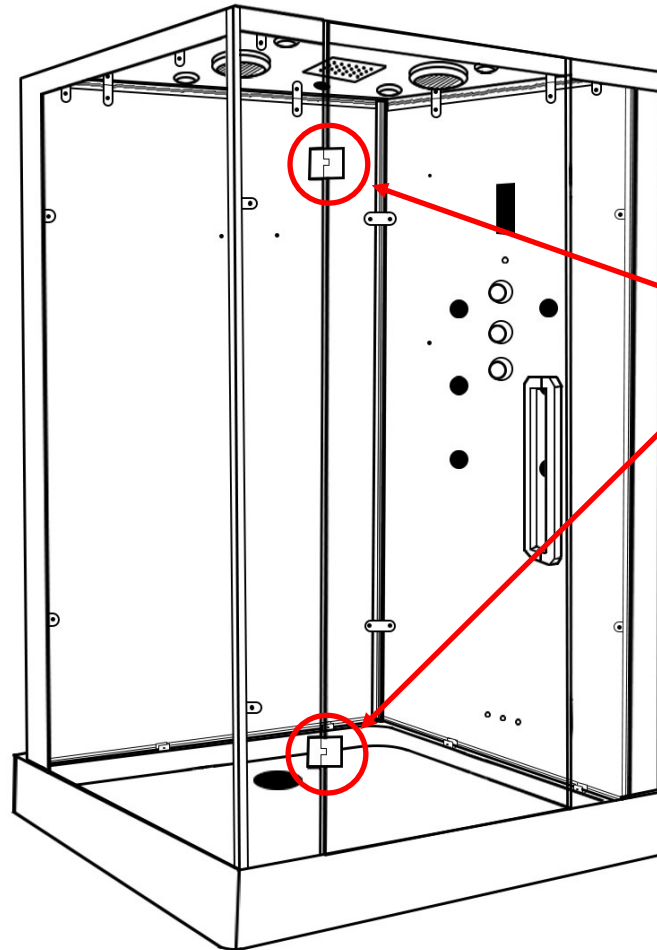
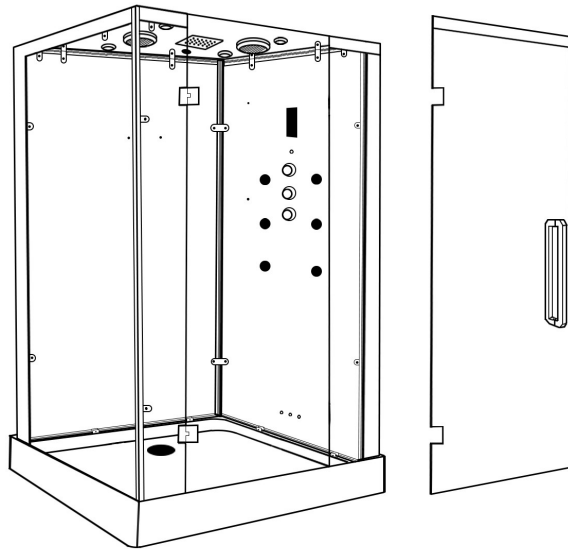
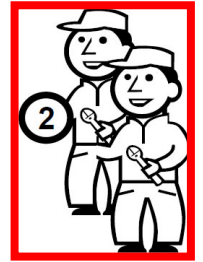


Take the screw and screwdriver and place through the plastic pipe to ease reconnection

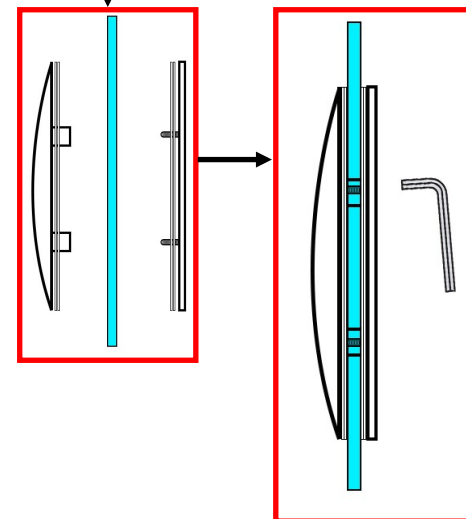
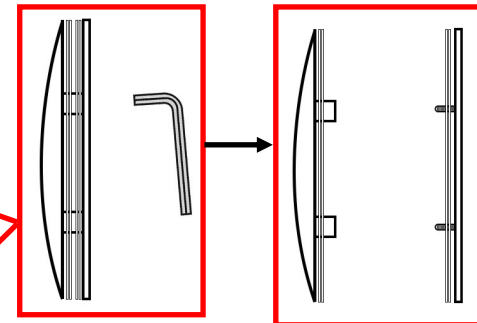


Screw handles together. Repeat for the bottom

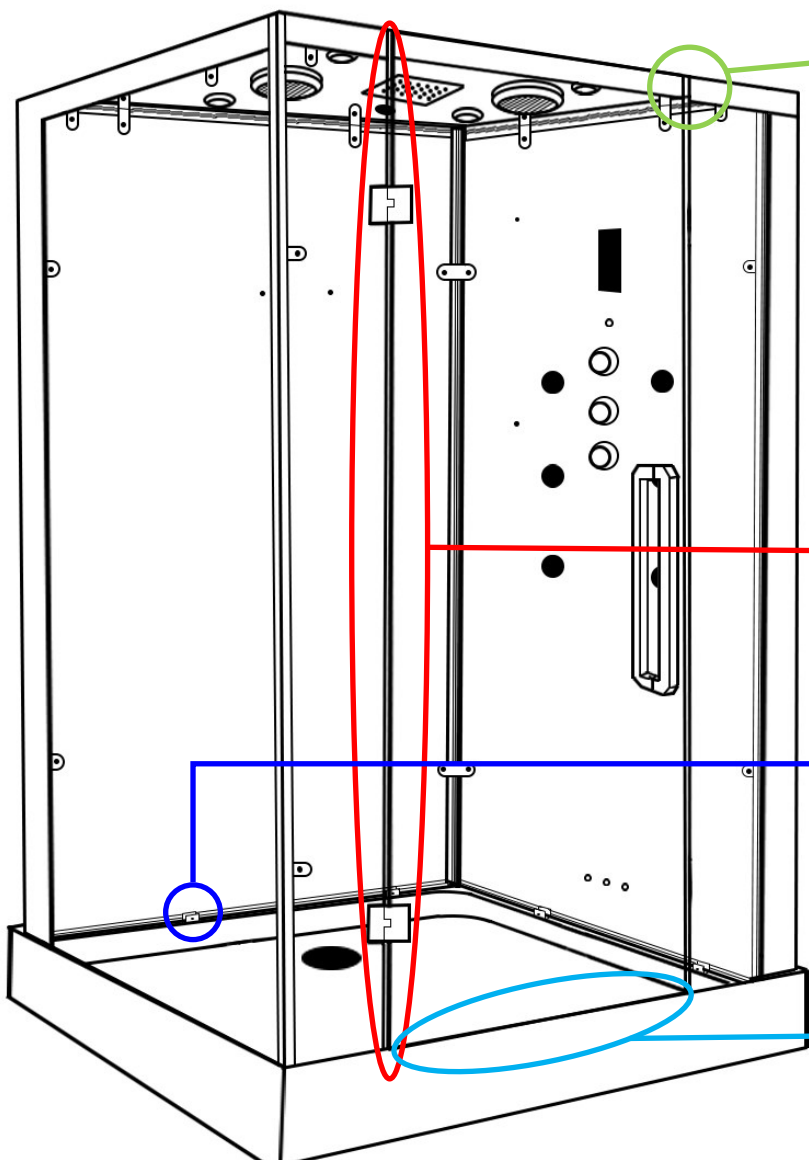
Step 24—Installing the Door



Repeat from Step 20



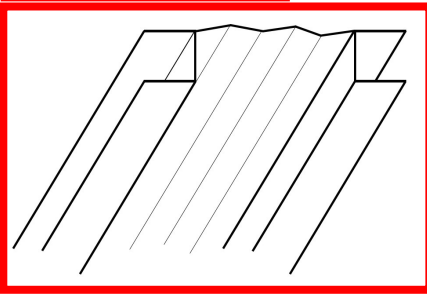
Step 25—Installing the Door Seals



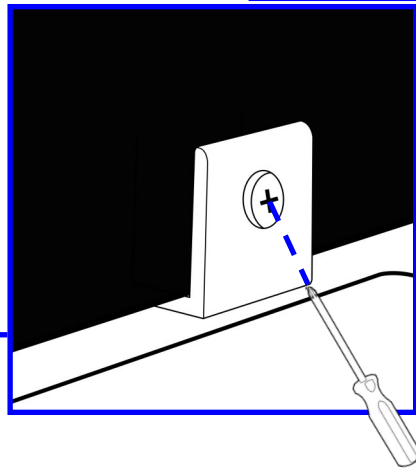
Attach magnetic door seals so they meet and overlap to connect



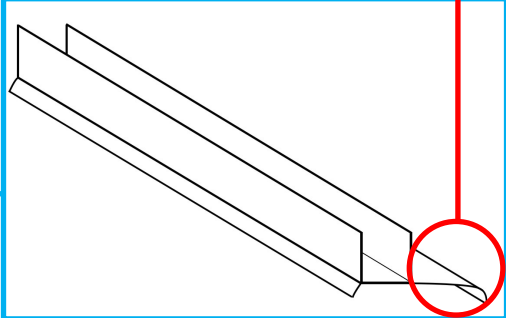
Fit to inside of the glass



Tighten x10

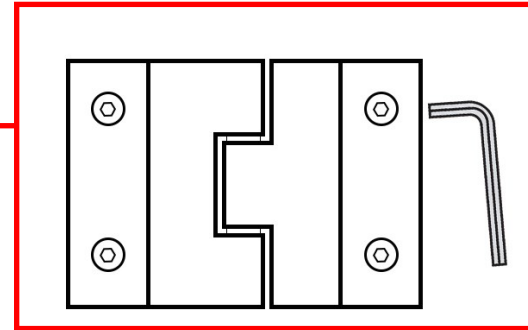
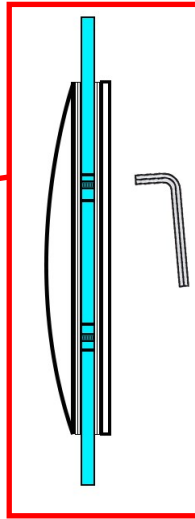
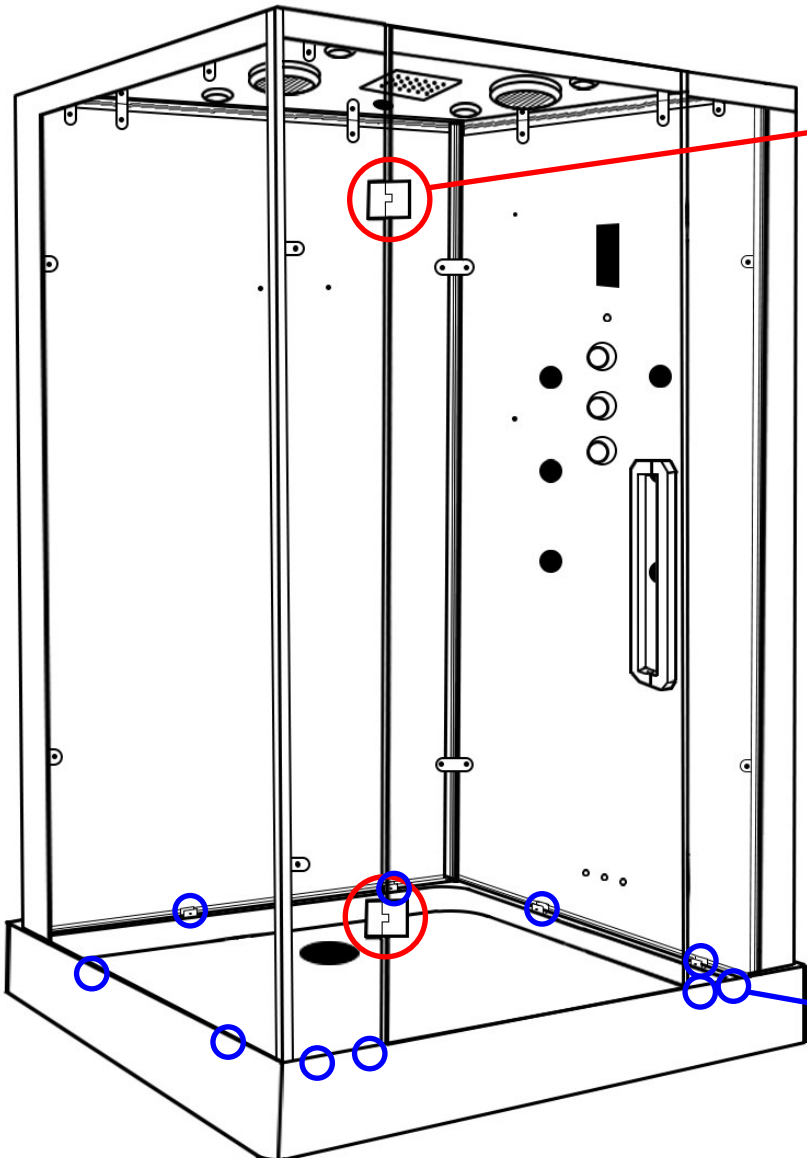
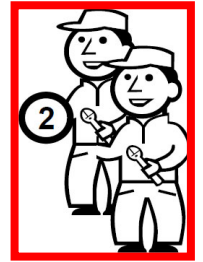


Flap faces outside the shower



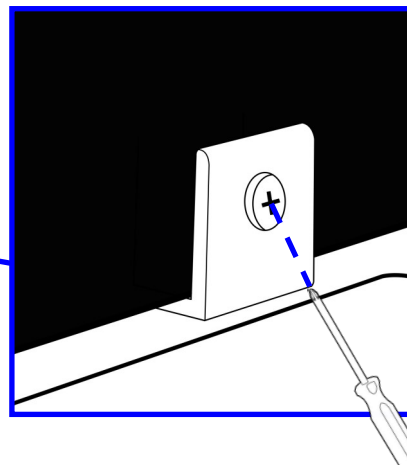
It's very important to fit the Bottom Door Seal **First!** Once fitted, trim to length of the door.
Next fit the magnetic door seals and trim to length of the door and fixed glass.
Finally fit the Fixed Glass to Rear Door Seal and then trim to desired length.

Step 26—Door Adjustment



To adjust the door you will need two people. You will need to adjust the screws on the bracket upstands as well as adjust the door brackets (top and bottom) to get the perfect alignment. It may take a few minutes to align the door perfectly.

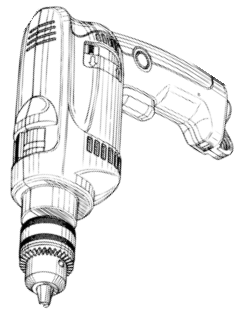
Please Note, once aligned the magnets will bed in.



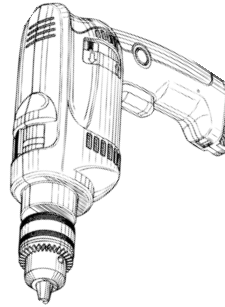
Step 26—Mounting the Steam Generator



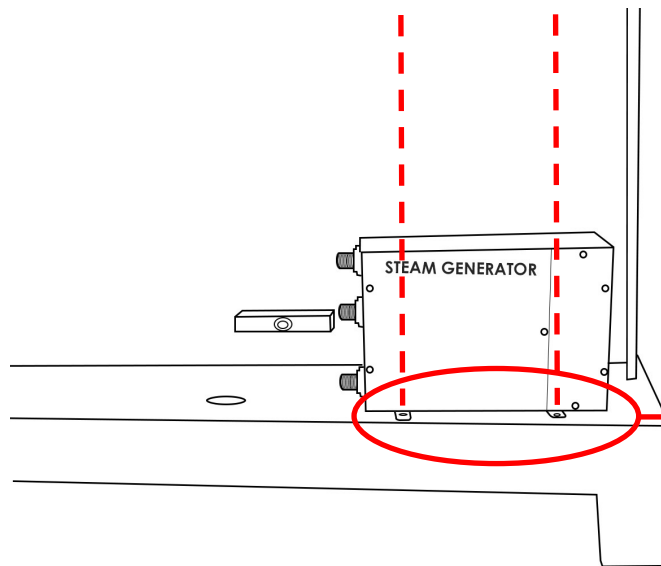
ST20 x2



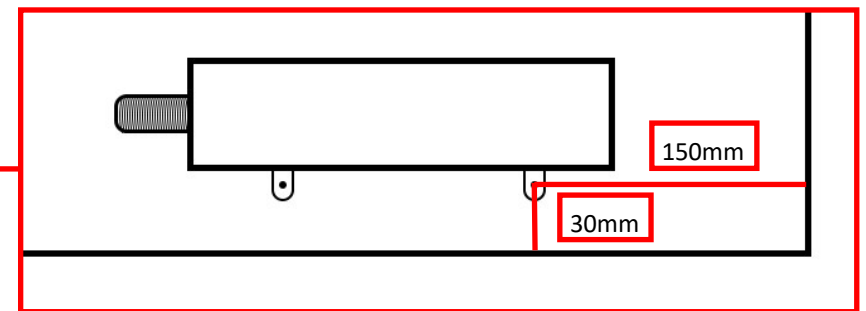
Mount to the right of the shower on raised section behind the right panel



Make 2x 2mm pilot holes then attach using ST20 screws



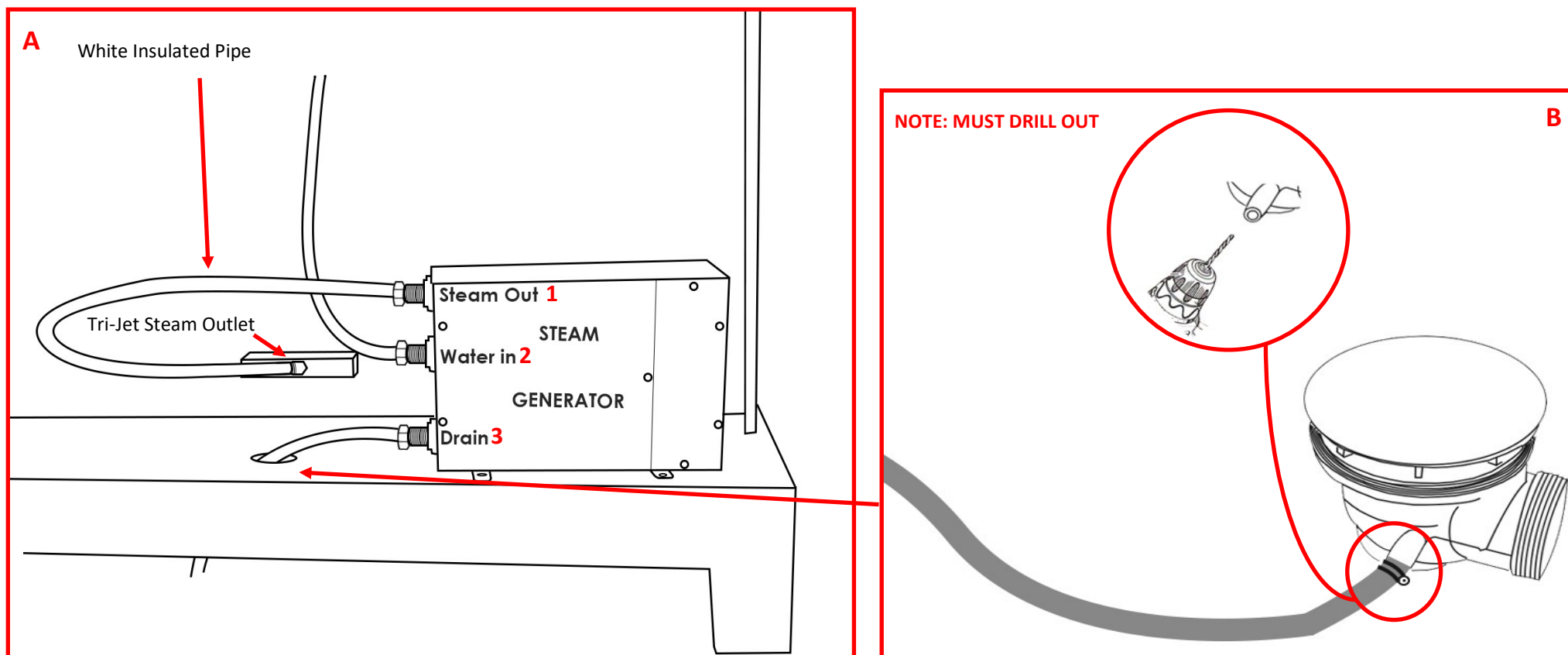
Overhead View with measurements



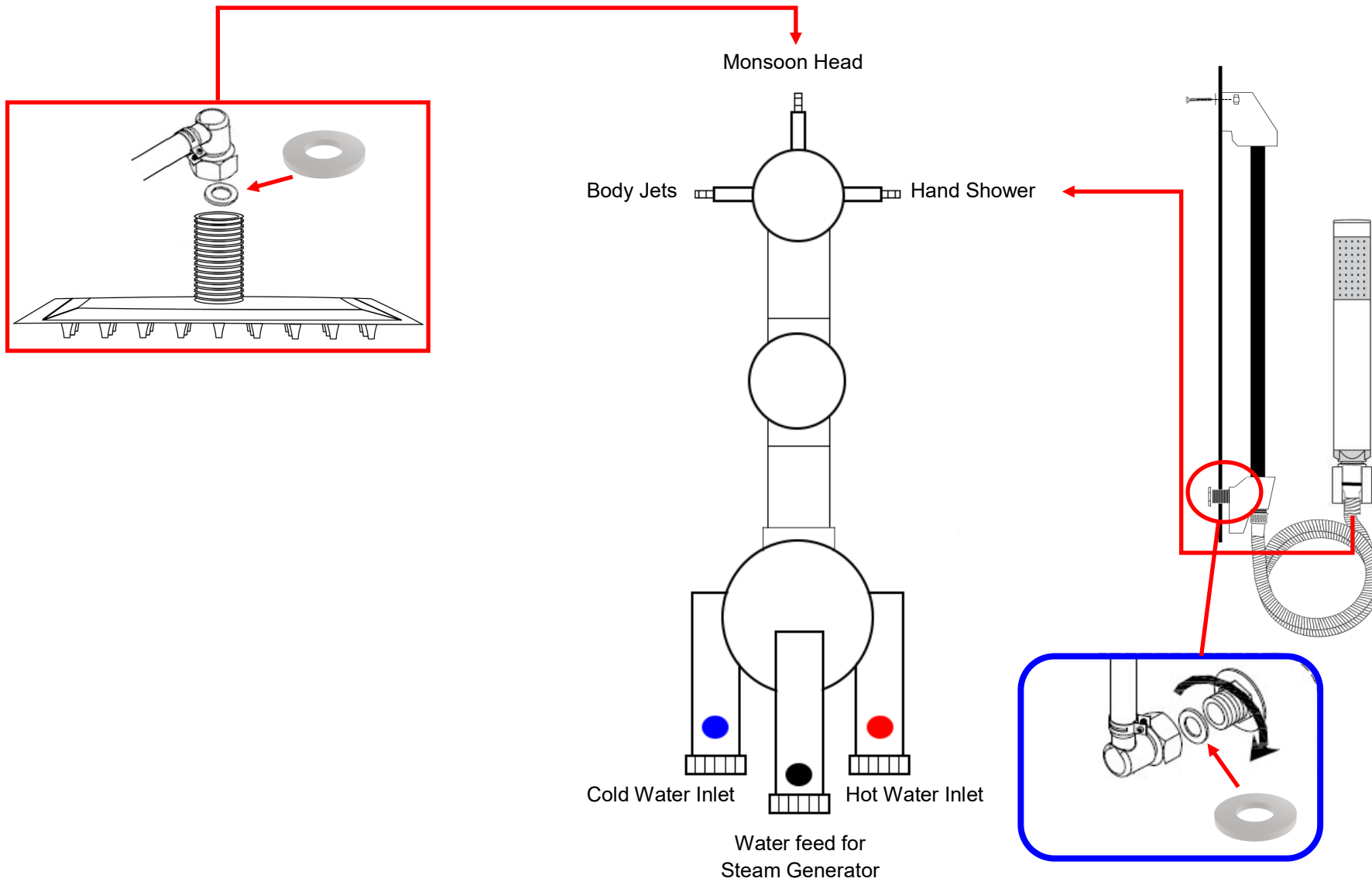
Steam Generator Connections

The steam generator has 3 connections.

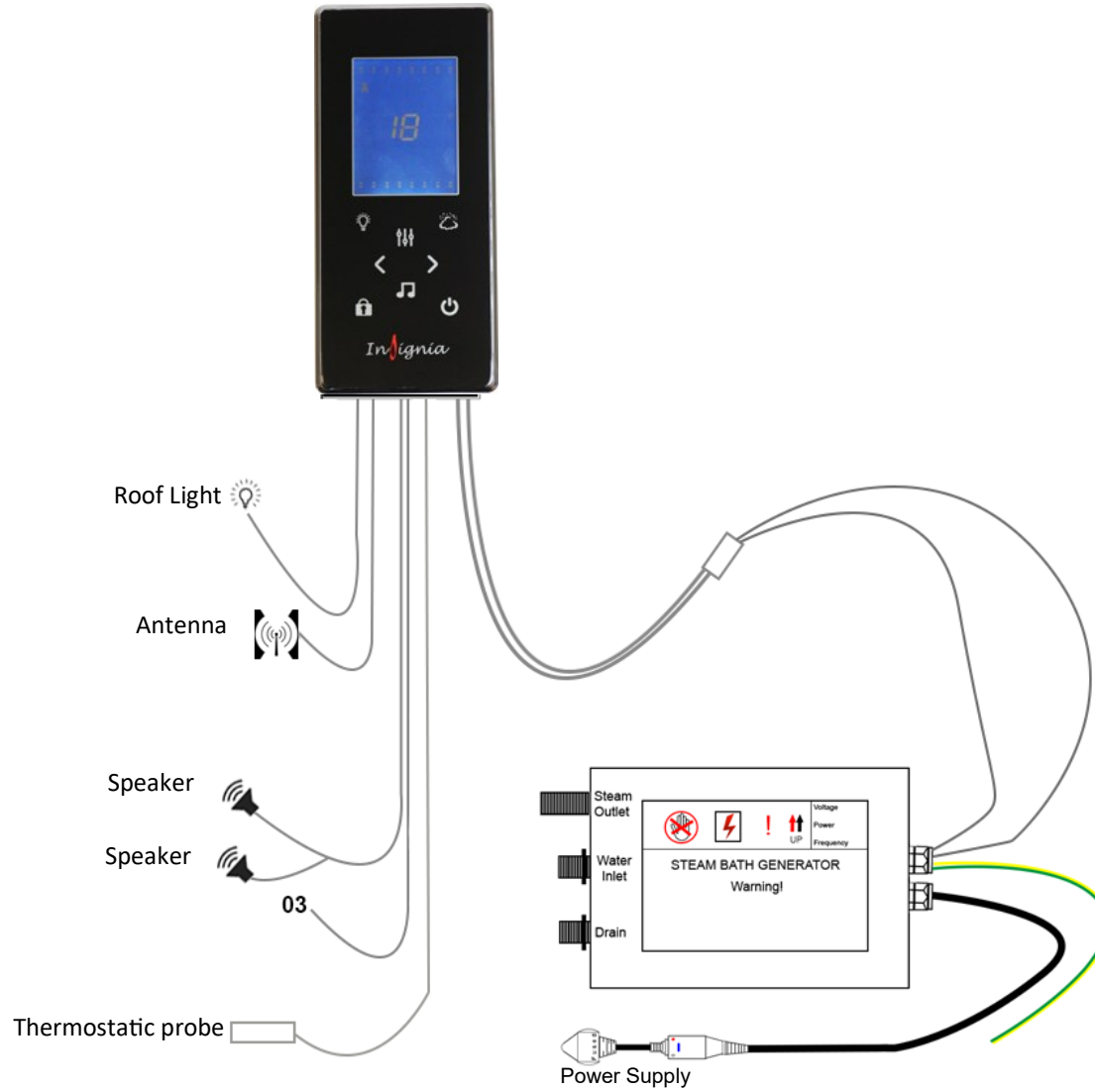
1. **Steam Outlet:** Connect the white insulated hose to the tri-jet steam system within your shower as shown in image **A**. Make sure these are fitted in the correct position.
2. **Water Inlet:** Connect a permanent water line from the water valve on the shower to the “water in” on the steam generator.
3. **Drain:** Ensure the grey rubber hose from the steam generator drain opening to the nozzle on the shower waste is connected as shown in image **B**. Ensure you have checked the spigot has been drilled out and the drain hose is connected securely and tightly with the Jubilee Clip. It’s important you check this as it is only connected for transportation purposes.



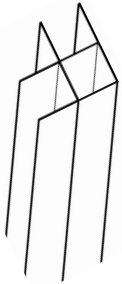
Step 27— Valve/Water Connections



Step 28 — Control Panel Connections

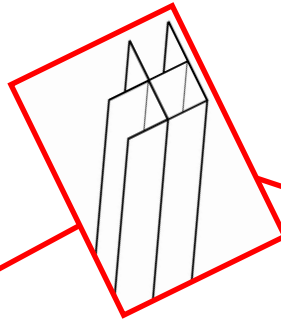
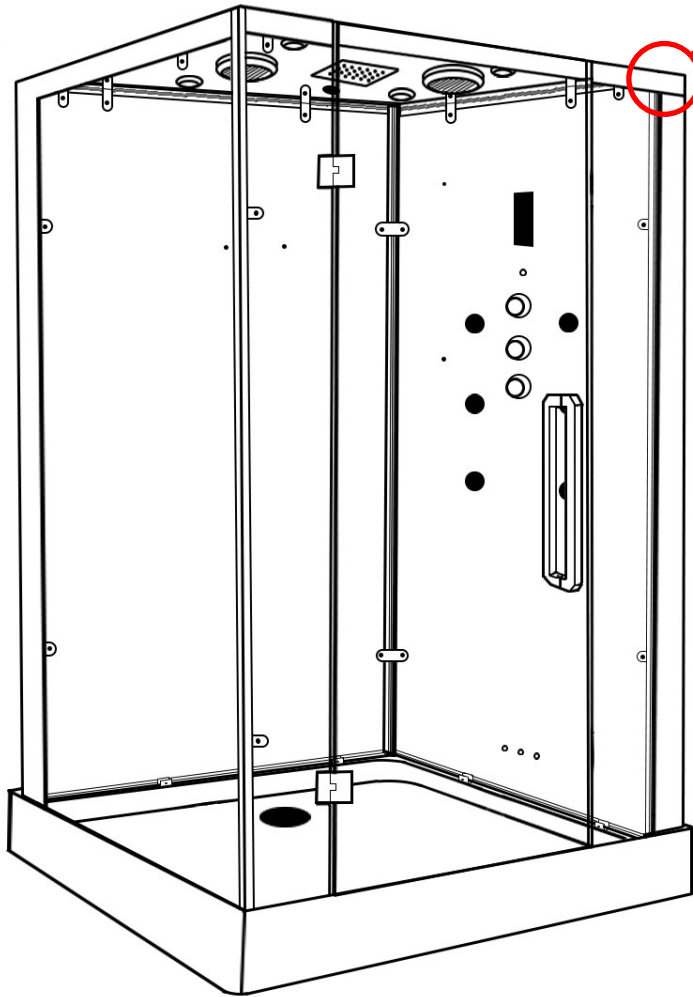


Step 29 — Connect covering panel

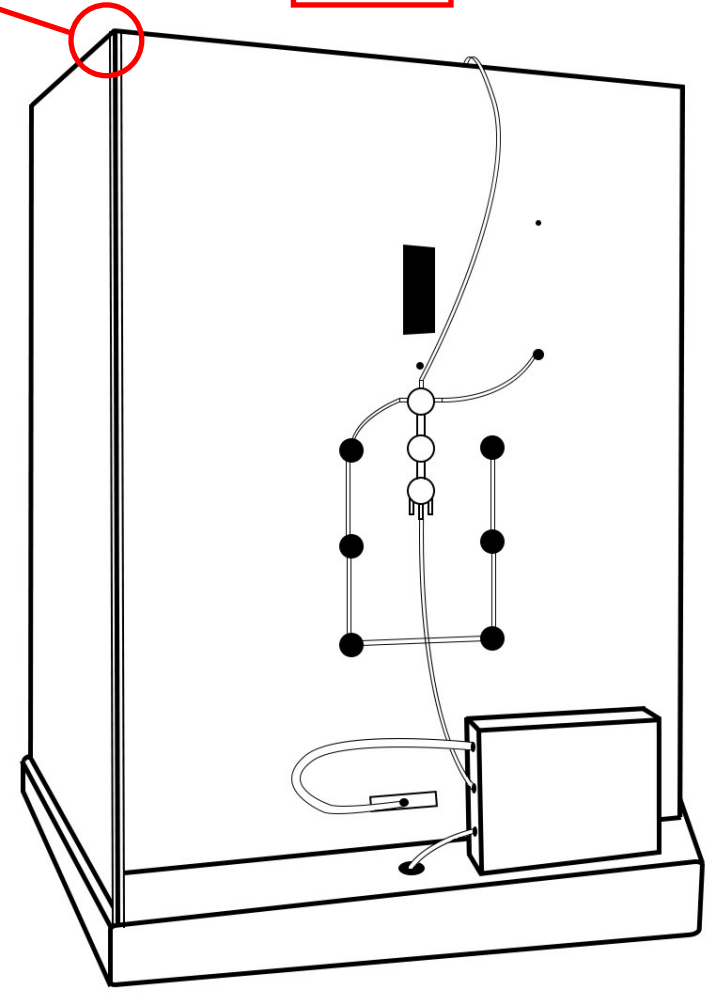


x1 metal 90 degree rigid corner seal

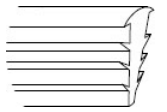
Front View



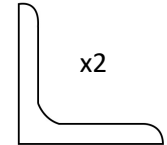
Rear View



Step 29 continued — Connect covering



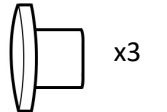
x1 7mm Ribbed Seal



x2



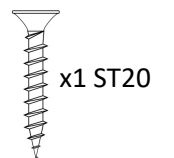
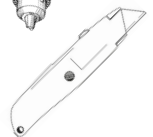
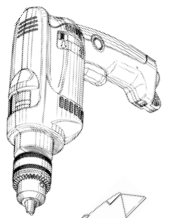
x3



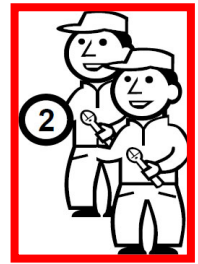
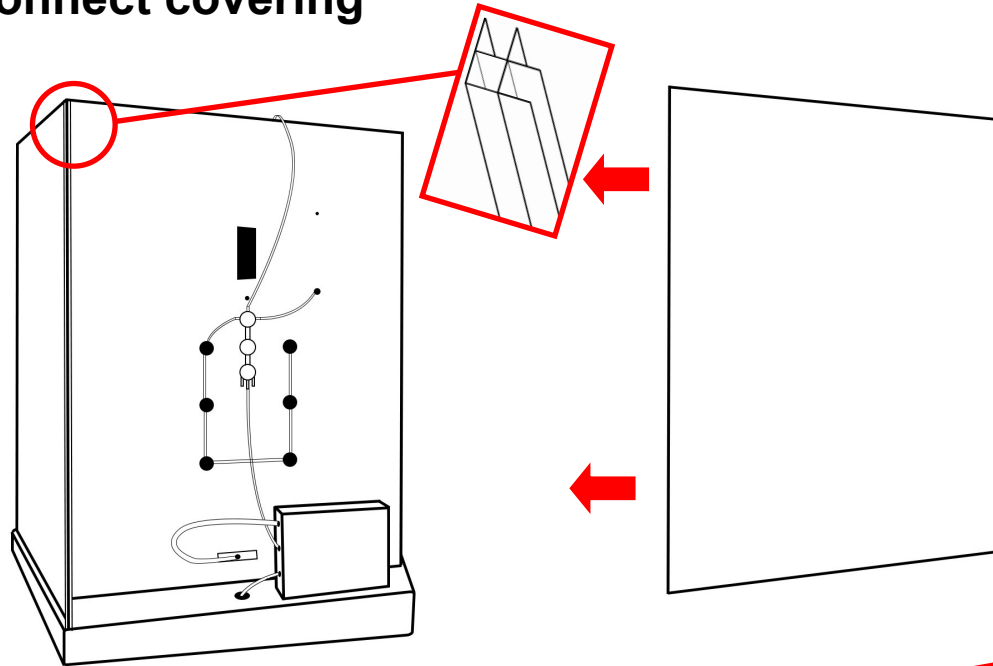
x3



x3

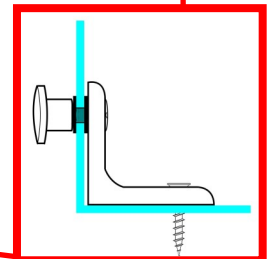
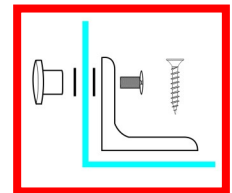
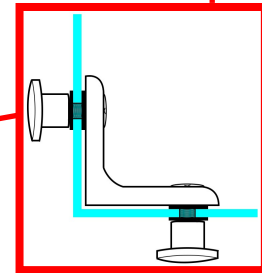
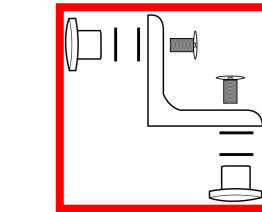


x1 ST20



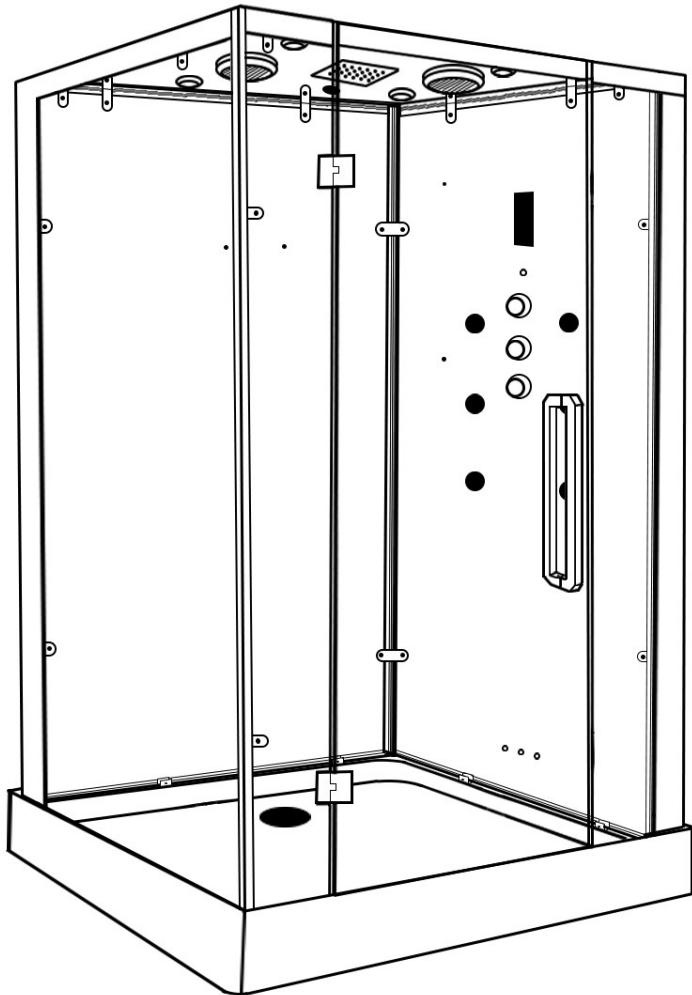
Push seal in from the bottom and work your way up the panel. Trim away any overhang at the top.
Please Note: The seal will only go in one way and pushes in fairly easily. If it isn't slotting in as expected, turn the seal around.

Drill out pilot hole in the tray then screw bracket into position to secure the panel using an ST20 screw



Signing off your shower

Now your shower is assembled, there is just few steps before you can sign the shower off.



1. Please ensure all the connections are watertight including the waste, body jets, internal and external hoses and steam connections.
2. Once you are happy, check the shower functions by switching on the overhead shower and then adjust the selector knob (top knob) to the hand shower and then onto the body jets. Whilst the water is running, check external hoses for any signs or water drips or leaks and tighten accordingly.

Please note, when testing the body jets, water will shoot towards the open doors and the user.

3. Do not aim the hand shower directly at the joints of your shower as this does not fall under “normal showering conditions”. However, due to Insignia’s unique design of the shower tray, water will only leak back in to the tray so you won’t get flooded.
4. Visually check the water flow in to the waste and adjust the feet of the tray accordingly to ensure the direction of the water flows towards to the waste to prevent over puddling (a small amount of puddling is normal).
5. Never use the shower until all checks have been made and the installer is 100% happy in the knowledge no hose leaks are present.
6. Any Rubbergum which has squeezed out between the panels and the tray, simply cut off using a sharp, clean knife blade.
7. Now push the shower from it’s base into it’s final position. **NEVER PUSH THE GLASS OR FRAME** into its final resting position.

Happy Showering!

Control Panel Instructions



Button 1 (Lights)

Once the control panel is switched on, the lights will come on automatically. Press the Light button once and the lights will start to scroll through the multiple colour options. Then to stop the lights on a specific colour simply press the light button again on the desired colour. To turn the lights off press the light button again.

Button 2 (Steam)

To start the steam function, simply press the steam button (which looks like a cloud). To set the time and temperature of the steam session, simply press the mode button (button 3) and then use the arrows to scroll up and down (button 6)

Button 3 (Mode)

This will do nothing on start-up, however it will be your go to button when using steam, radio and Bluetooth options

Button 4 (Padlock)

This is your unlock button. After twenty seconds of inactivity the steam function will lock on the panel. This is done as a safety feature, so it can't be accidentally activated. Other buttons will remain functional whilst in this state of 'lock mode'

Button 5 (Music)

Press once for FM Radio and press twice for Bluetooth. For tuning radio stations or connecting Bluetooth, please see the next page. For volume control, once on the radio or Bluetooth setting press Mode (button 3) then use the left and right arrows to change the volume. The volume is denoted by a number followed by the letters 'db'

Button 6 (Left and Right Arrows)

This will do nothing on start-up, however they are multi-functional depending on what setting you are using. When in the radio setting you can use them to change the station. When using the Bluetooth setting you can skip forward or back tracks in your playlist. You can also control the volume with these arrows as directed above.

Button 7 (Power)

Press once to turn on the panel. Simply press again to turn it off. When powering down the O3 will automatically start and last for approximately 10 minutes. After this the screen will power off.

To see our tutorial videos for operating this control panel's features, please search for "Insignia Showers" on YouTube and find our "SUN Control Panel" Playlist, or you can [click here](#)

Control Panel Instructions

Connecting to Bluetooth

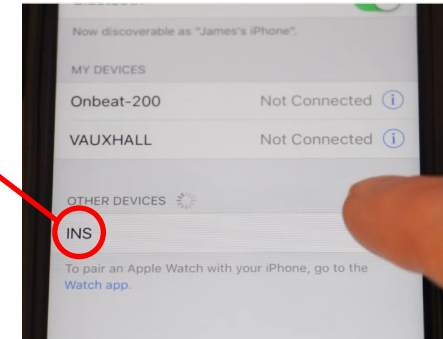


Step 1

To connect a device via Bluetooth, press the music function button twice (which looks like a musical note) the control panel will then show "INS".

Step 2

Then simply go on your device and pair up with the shower which should be shown as "INS". Once this is complete you will hear a beep to signify you're connected and ready to listen to any music of your choice.



Tuning your radio channels



Step 1

To tune your radio channels firstly press the music function button (which looks like a musical note)



Step 2

Then once the radio is on press and hold the mode button until it starts scrolling.



Step 3

Finally, once the panel has finished scrolling then use the left and right arrows to cycle through all the radio stations that were found.

Parts List

Internal Items

Part Code	Part Description
SP027	Monsoon Shower head
SP078	Ozone Module
SP174	Round Body Jet (Two Open Ends)
SP174a	Round Body Jet (One Open End)
SP236	Complete riser bar
SP112 (warranty)	Shower holder (for riser bar)
SP120 (warranty)	Water Inlet (bottom part of riser bar)
SP142	Shower waste
SP322	Door Handle (Noire)
SP190	Glass Shelf
SP196	Thermo sensor holder
SP323	Door Hinge
SP324	Monsoon Perspex Connector
SP034	Tri-Jet system
SP105	Chrome Flexible Hose
SP036	Speaker
SP325	Speaker cover

SP326	LED Chromotherapy Spotlight
SP117	Insignia Control Panel
SP227	Microphone Style Hand Shower
SP342	Bottom Glass Water Deflector Seal
SP327	Cushioned U shaped seal
SP328	90 Degree Bracket
SP329	Glass Support Brackets
SP197	7mm Ribbed Seal

External Items

Part Code	Part Description
SP300	Waste hose
SP301	White insulated pipe
SP187	Drain Hose
SP040	Horizontal steam generator/Electric box
SP332	Magnetic door seals
SP330	Door Seal (Bottom)
SP331	Door/Fixed Panel Seal
SP341	Plastic Rigid 90 Degree Corner Seal
SP343	Metal Rigid 90 Degree Corner Seal
SP173	3 port—3 feed thermostatic valve
SP095	3 Port Selector Cartridge
SP044	On/Off Water Mixer Valve
SP182	Vernet Screw Fit Thermostatic Cartridge
SP043	Plastic Thermostatic Valve Safety Lock Ring

Steam Room & Shower Safety Guide

1. Never leave children unattended in the shower or bath.
2. Never bath children (under 12) using whirlpool function if fitted.
3. Regulate the temperature of water before showering.
4. Never allow children to use the steam function. This function is for **ADULTS ONLY**.
5. Always be aware of the steam outlet position. Never use in close proximity to the person using it.
6. Exit the steam room immediately if feeling dizzy, faint or short of breath.
7. Do NOT use the steam room if you're pregnant, have a heart condition, have low or high blood pressure. If you're unsure consult your GP before use.
8. If you have any underlying health conditions which you feel could be aggravated by using a steam room, consult your GP before use.
9. If you begin to have any issues with your health after using a steam room, stop immediately and consult your GP regarding your symptoms before continuing to use.
10. Consult your GP before using the steam room if you're on medication at all, especially with drowsy side effects.
11. Never use this shower if you have been drinking alcohol or under the influence of other substances.
12. Never use with more than one person unless the shower is designed for this.
13. This product is not to be used for washing/bathing animals.
14. Always turn power supply off after use.
15. Always turn water supply off after use.
16. Ensure room is well ventilated after a steam session by using your bathroom extraction fan or opening a window.

Steam Room Usage Guide



1. To use the steam room, turn the control panel on. (1)
2. Press the steam button (2) and your generator will be fed with water and the heating element will begin to heat the water to create steam. (You should be seeing steam from your outlet in approximately 60-90 seconds)
3. To set the temperature you want the cabin to reach, press the function button (3) once the steam is active. You will see a small °C to the right of the display. The large number in the middle of the display can be changed by pressing the arrows (4). The maximum temperature you can reach is 60°C . The average temperature in a steam room is approximately 45°C .
4. To set the length you wish the steam to run for, press the function button again (3) then use the arrows (4) to set your desired time. The maximum length that can be set is 60 minutes.
5. You should only steam for approximately 15-20 minutes per session at it's desired temperature. Due to the heat, your body can overheat, dehydrate and cause light headedness. This is very important if you are very new to steam rooms.

How to use AMI System (2nd Gen)

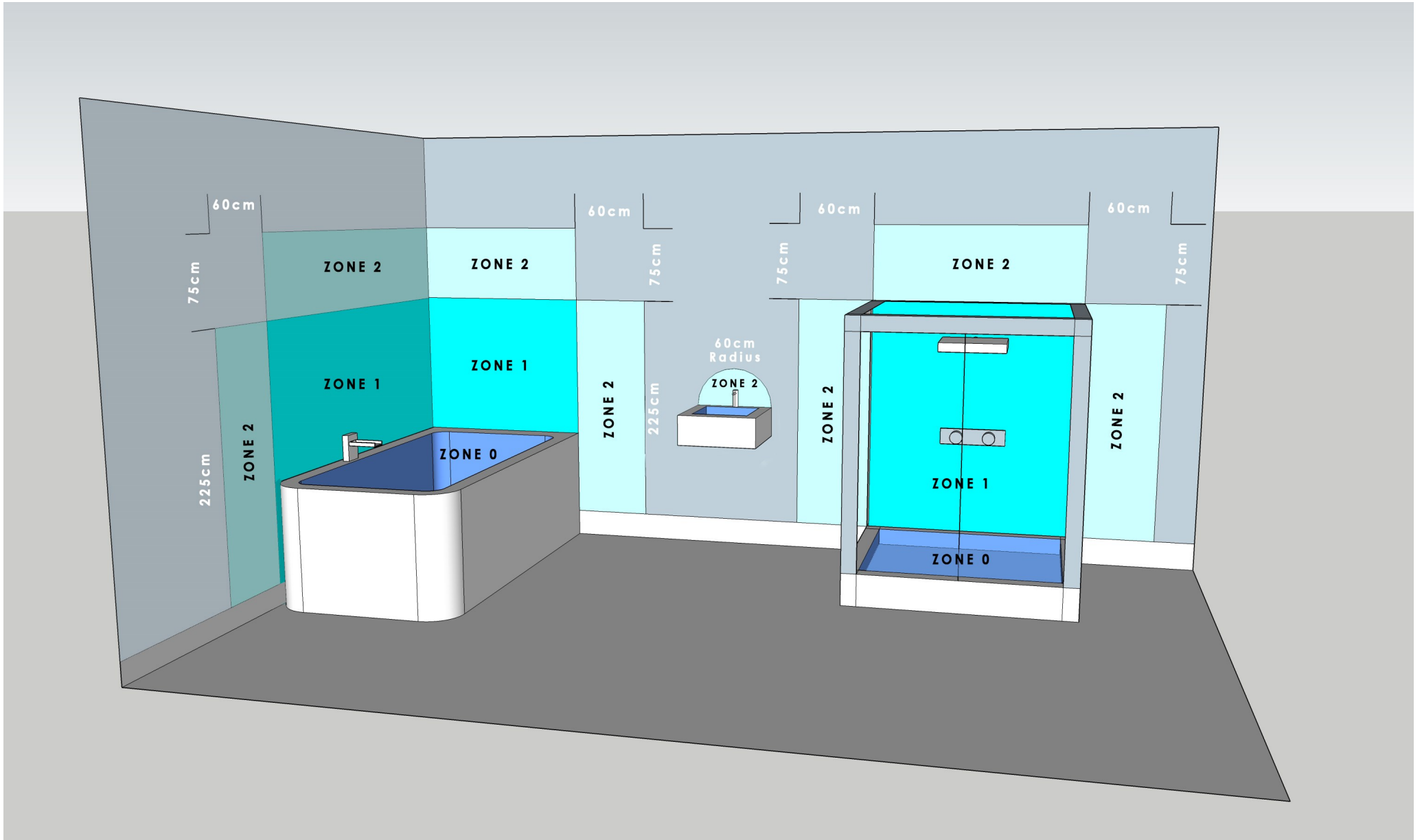
Your Noire shower is fitted with the latest **AMI system (Aromatherapy Modular Infusion)** which takes your steam experience to new heights by enjoying fresh, clean, natural fragrance with the AMI Oil Diffuser Steam Guard. Perfectly designed to deliver the maximum amount of aroma in a matter of minutes.

1. In order to use the AMI Oil Diffuser Steam Guard in your steam cabin you must use in conjunction with the AMI Essential Oil Diffuser Kit.
2. Soak the diffuser pad in water until it is fully hydrated. Pour at least 5ml (half a bottle) of the AMI essential oil onto the pad. The more oil you use the more intense the aroma.
3. Fully insert the diffuser pad into the allotted slot of the AMI Oil Diffuser Steam Guard and engage the steam function on your shower/steam room to infuse the essential oil into the steam. **NEVER** place or remove the pad from the diffuser whilst the steam function is running as scolding could occur.
4. After you have finished your aromatherapy steam session, turn the steam function off and discard of used AMI diffuser pad. Never reuse the pad.



To explore our full range of carefully blended oils or purchase more diffuser pads please visit our website: www.insigniaoutlet.co.uk/aromatherapy

Bathroom Electrical Zones



There are 3 bathroom electrical zones that have been distinguished in the IEE wiring guidelines and these are:

Zone 0 is the area inside a bath, basin or shower. It's characterised as 'any area within a bathroom that can hold water'. Any fitting or electrical appliance utilised inside zone 0 must be a maximum of 12 volts (SELV) and completely secured against both partial and total submersion in water (minimum of IPX7)

Zone 1 is the region straight above zone 0 to the height of 2.25m from the base of the bath or shower. It covers the width of the shower cabin or length of the bath. Consider zone 1 to be the 'splash zone', where a fitting or electrical appliance is probably going to get exceptionally wet, very rapidly, however would not be totally immersed in water. Any fitting or electrical appliance inside zone 1 must be IPX4 (splash proof) or have a limit of 12v (SELV) with the transformer situated past zone 2.

Zone 2 is the area extending to 600mm outside of the bath or shower, be that above or to the sides of each. This is commonly the region which is least likely to get wet however there is a likelihood for it to be splashed. Any fitting or appliance inside zone 2 has to be IPX4 (splash proof) or have a maximum of 12v (SELV) with the transformer situated past zone 2.

Outside zones (Beyond Zone 2)

At the point where the size of a bathroom goes past zones 0, 1 and 2, portable electrical appliances can be utilised if their cord length doesn't allow them to be used in zone 2. For example, a hairdryer can be used in the outside zones provided its extended length doesn't enable it to be used in zone 2. Despite the fact that installing electrical appliances past zone 2 is allowed without an IP number, it is recommended that electrical appliances have some type of protection from moisture.

The Ingress Protection or IP number denotes the amount of mechanical and moisture protection an electrical appliance has. The 'IP' notation is followed by 2 numbers that show a numerical degree of mechanical and moisture protection.

The higher the number, the better the assurance it has against moisture/damage. If an appliance does not have an IP number it should never be used in zones 0,1,2 or anywhere that has a wet or damp environment.

All electrical circuits inside a bathroom must be protected by an RCD (residual current device), commonly known as a circuit breaker, not surpassing 30mA. RCD's ascertain when an electric current is not functioning normally and break the flow of the current if necessary, to guarantee that you are safe whilst using it.

Precaution should always be taken when introducing any electric appliance into a bathroom. We always advise using a registered bathroom fitter or electrician.

***The information on this page is for guidance only and you should always refer to the current IEE regulations of a qualified fitter or electrician to guarantee you are aware if the latest regulations and codes of practice.**

WEEE Compliance Statement

The UK Waste Electrical and Electronic Equipment (WEEE) regulations came into force on 2 January 2007. Under this new legislation, producers of electrical and electronic equipment (EEE) have to fulfil certain obligations.

Under the WEEE directive Insignia is considered the producer of certain products we supply and in line with the demands of the legislation we are pleased to offer the opportunity to return these products to us for treatment and recycling.

Insignia products will generally have an identifying mark and the common crossed out wheelie bin label. We accept returns of all products carrying the Insignia brand. All other products are either considered outside the scope of WEEE or Insignia is not technically the producer of these products. Insignia also accepts historic like-for-like WEEE returns. All WEEE returned to Insignia will be recycled in appropriate treatment and recycling centres in accordance with the legislation. If you wish to return any products to us, please send your item(s) to our head office.

Company Contract No. 326457

WEEE Producer No. CBDU64227



LABELLING

Products labelled with the WEEE symbol (a crossed out “waste bin”) indicate that the final user should not discard this product along with other household waste, but that it must be collected and treated separately.



Returns Address for WEEE

Insignia

9a Deans Road, Old Wolverton, Canon Industrial Park, Milton Keynes, Buckinghamshire, MK12 5NA, UK



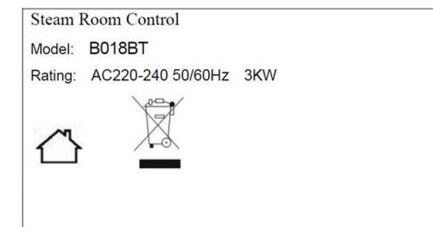
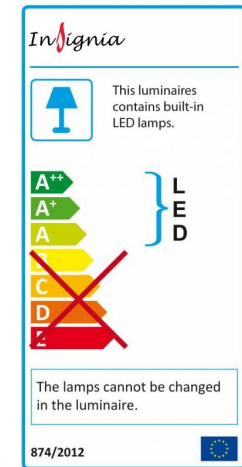
EU – Declaration of Performance

Insignia declares that all its products complies with the essential requirements and other relevant provisions of Directive 305/2011/EC. A copy of the Declaration of performance is available from www.insigniashowers.com/ce-certification

Insignia™ is a registered trademark of Maclean International Ltd, 9a Deans Road, Old Wolverton, Canon Industrial Park, Milton Keynes, Buckinghamshire, MK12 5NA, UK

All images are subject to copyright. Images may not be used in any way shape or form with out written permission from Maclean International Ltd. Images are NOT permitted to be saved, printed or uploaded. Violation of copyright laws are punishable by law.

All images are registered with
ImageTraker



Insignia™ is a registered trademark of Maclean International Ltd

All images are subject to copyright. Images may not be used in any way shape or form with out written permission from Maclean International Ltd. Images are NOT permitted to be saved, printed or uploaded. Violation of copyright laws are punishable by law.