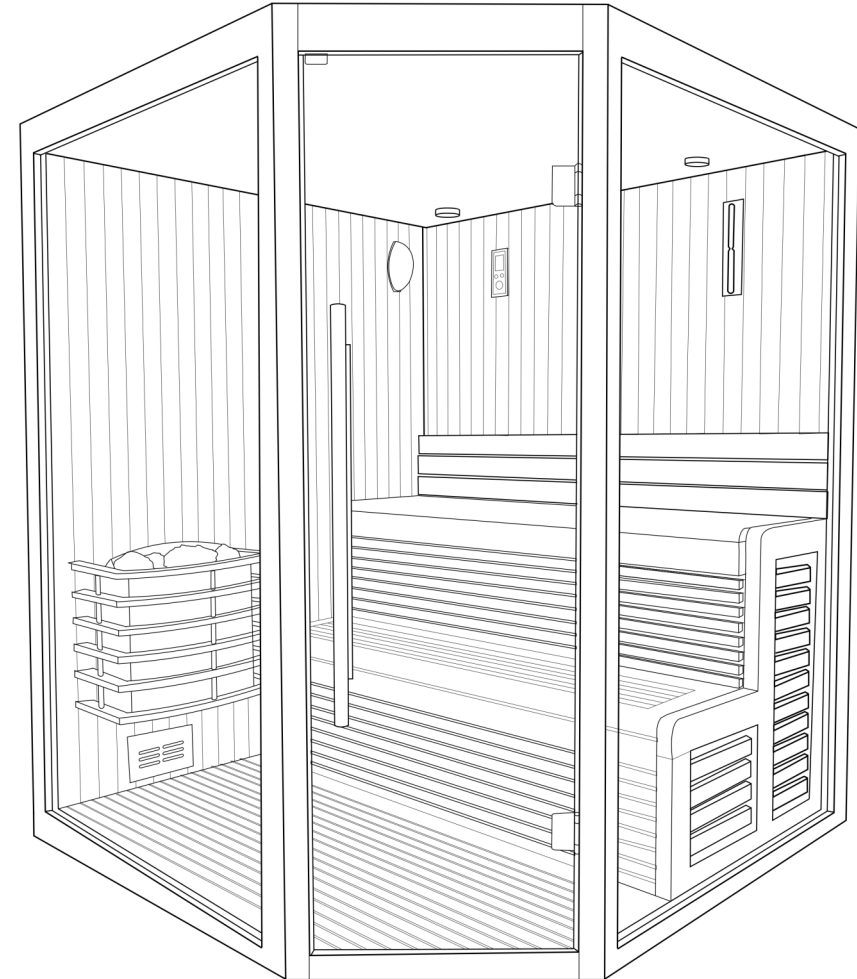




INSTALLATION MANUAL

MX1818

Sauna Series



30 Day Technical Support:

Call **01908 317512** and request technical support for aiding your installation.

Replacements Parts: Inside of your warranty period visit:

<https://www.insigniashowers.com>, click support and make a warranty claim.

Spares/Replacements Parts: Outside of your warranty period visit

<https://www.insigniashowers.com/replacement-parts.html>

ATTENTION INSTALLERS:

These instructions must be left with the customer

CHECK ALL CONTENTS BEFORE BUILD COMMENCES. NO RETURNS CAN BE MADE ONCE THE BUILD HAS STARTED AS IT IS DEEMED ACCEPTANCE OF PRODUCT!

Contents

Thank you for your purchase	3	Interior Light Install	14
Electrical & Tool requirements	4	Roof Install	15
Box contents	5	Door Handle Install	16
Backwalls Install	6	Heater and Guard Install	17
Left and Right Side Glass Install	7	Temperature Gauge Install	18
Door Install	10	Connecting the Power	19
Bench Panel Install	11	Control Panel Instructions	20
Backrest Install	12	Before First Use—IMPORTANT	23
Bench Tops Install	13	Sauna Room Safety Guide	24
		WEEE Compliance Statement	25

*Thank
You*

Thank you for your recent purchase of an Insignia Sauna. Please read this booklet with great care to ensure you get the best out of your build and have a Sauna that will last for many years to come! Like everything, in order to obtain a first class product that will serve you well for many years, the effort and correctness put into the assembly will reflect in the quality of your finish.

Electrical Requirements Model MX1818

Voltage Rating 380 volts with 220-240AC option

Frequency Rating 50Hz

Power Rating 6200 Watts

Total Amperage 25.9 Amps at 240V

Always consult a qualified Electrician before connection as to suitability Your electrical contractor will understand ALL legal requirements of connection before undertaking any work or installation.

UNDER NO CIRCUMSTANCES UNDERTAKE THIS YOURSELF. ALWAYS USE AN ELECTRICAL CONTRACTOR AND ENSURE LEGAL CERTIFICATION IS GIVEN ON COMPLETION

Note for electrician: This product comes with pre-fitted RCD unit. We leave it this way for you to connect it your own way due to continued additions to current regulations.

1) Connect within current laws and IP directives. Subject to room location.

2) (Preferred) Wire into isolated fused feed connecting directly to the house consumer/service box.

Always use protection against electrical surge. Your shower should be treated the same as a home computer. A surge protector should eradicate the possibility of either the transformer or control panel being burnt out.

Subject to connection type, electrical work needs to be signed off by a fully qualified operative by law. Failure to adhere to this will not only void your electrical warranty for your sauna, but could void your house insurance

Tools Required

- Scissors
- Knife
- Spirit Level
- Tape Measure
- Philips Screwdriver
- Electric Drill
- Safety Gloves
- Safety Glasses

What's in the Boxes?



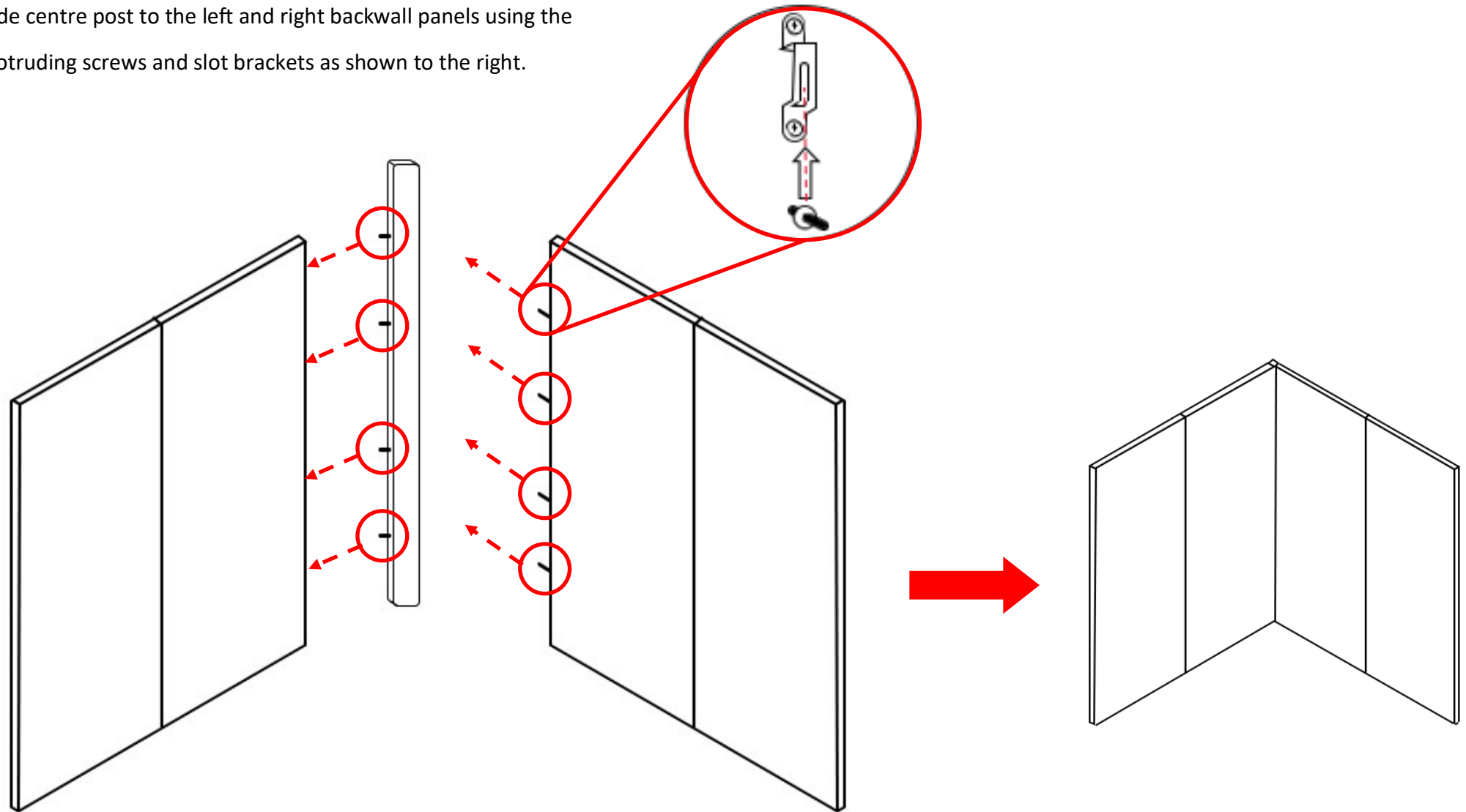
Box Number	Contents	Quantity	
Box 1	Top Board	1	[]
Box 2	Seat Board and Frame	1	[]
Box 3	Baffle, Handrail and Bottom	1	[]
Box 4	Glass door and Glass	1	[]
Box 5	Left Back Board	1	[]
Box 7	Right Back Board	1	[]
Box 8	Heater	1	[]

VERY IMPORTANT

Have you got everything? If not please contact the Insignia directly on **01908 317 512**. Remember **NEVER** book your tradesman until everything has arrived, been checked and is present. No replacement/missing parts can be obtained free of charge during or after the build. Any claims can only be within the timescale permitted (48 hours after delivery) and always **BEFORE** build.

Step 1 — Placing the two back panels into position

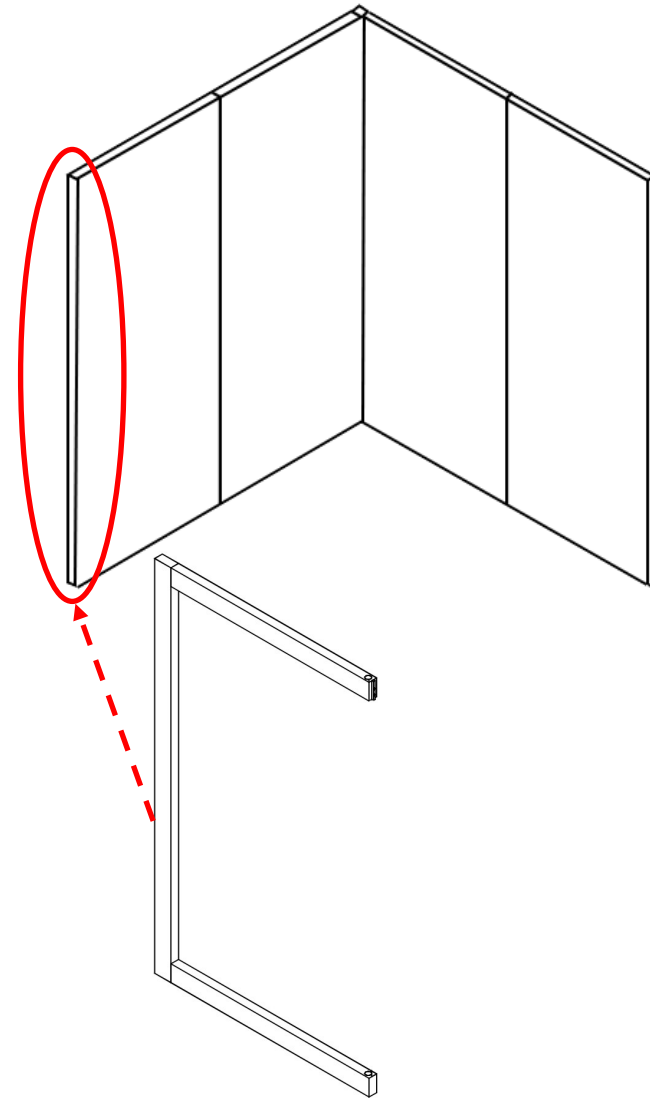
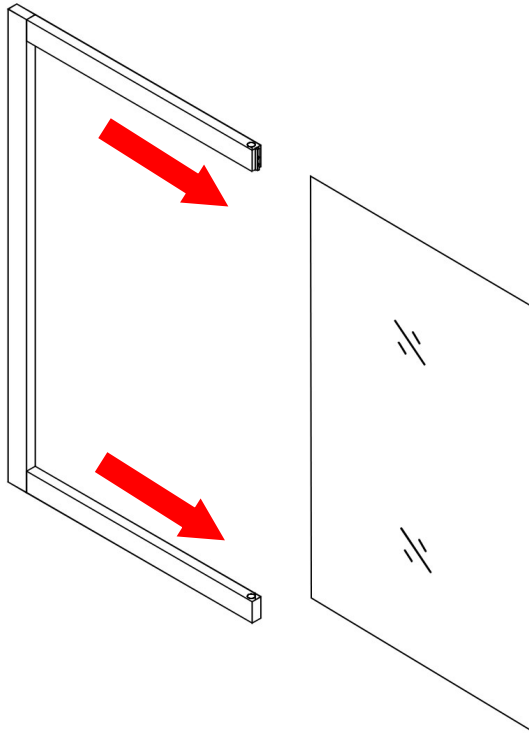
Slide centre post to the left and right backwall panels using the protruding screws and slot brackets as shown to the right.



Step 2 — Placing the left side glass into position

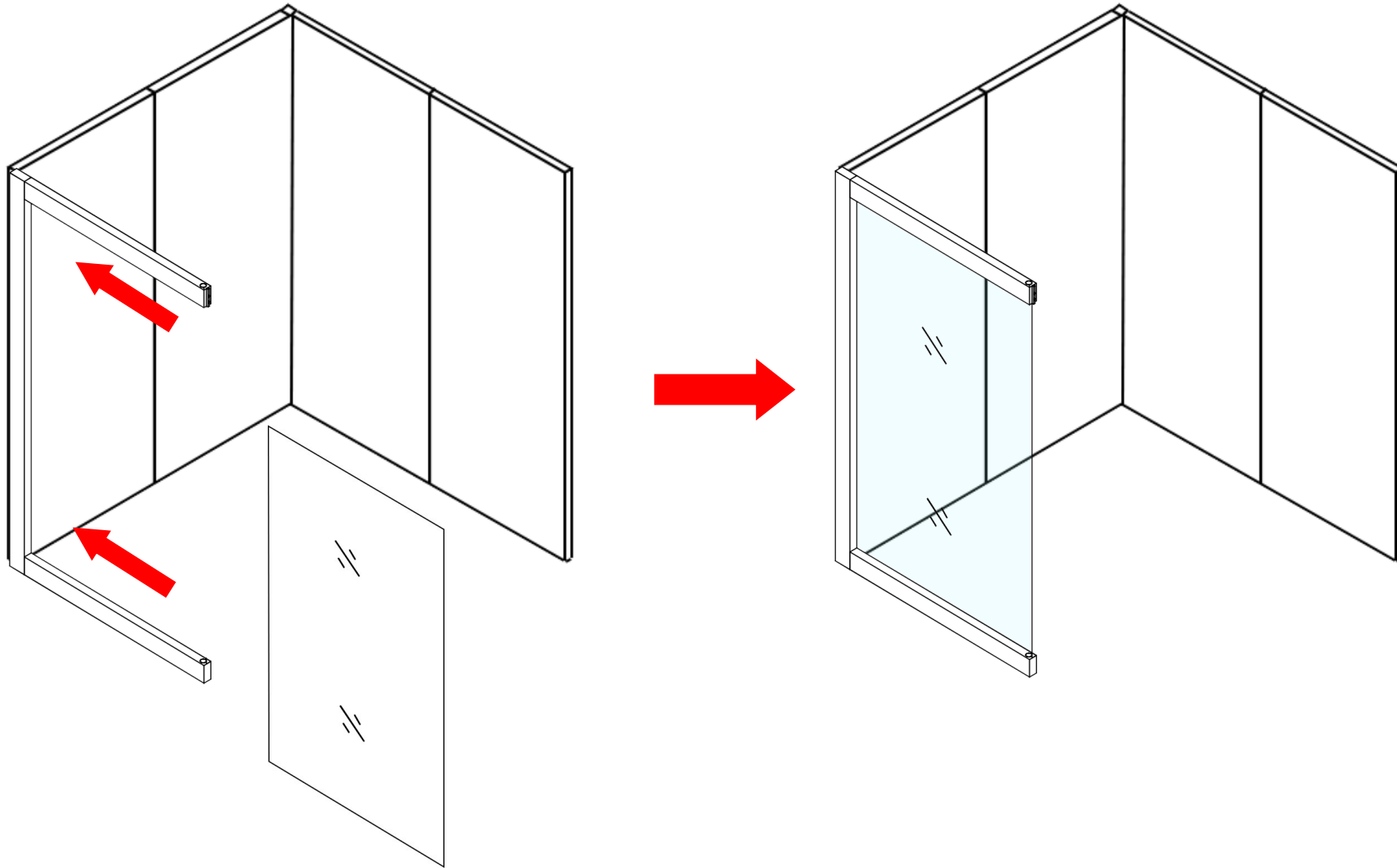
Part 1: Slide the glass out of it's frame and carefully place to one side.

Part 2: Slot the left frame onto the left backwall.

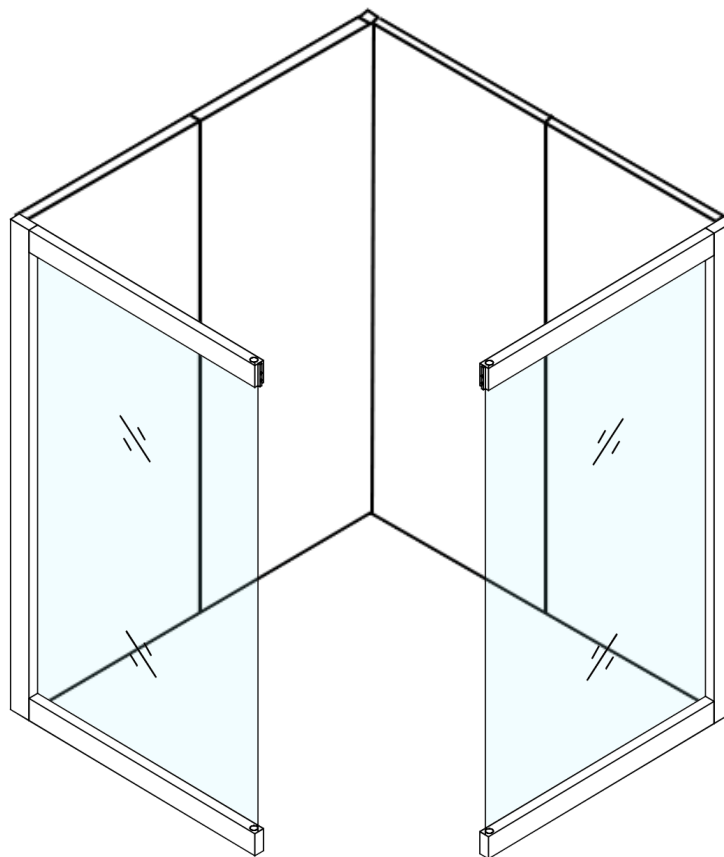


Step 3 — Placing the left side glass into position continued

Part 3: Slide the glass back into the frame.

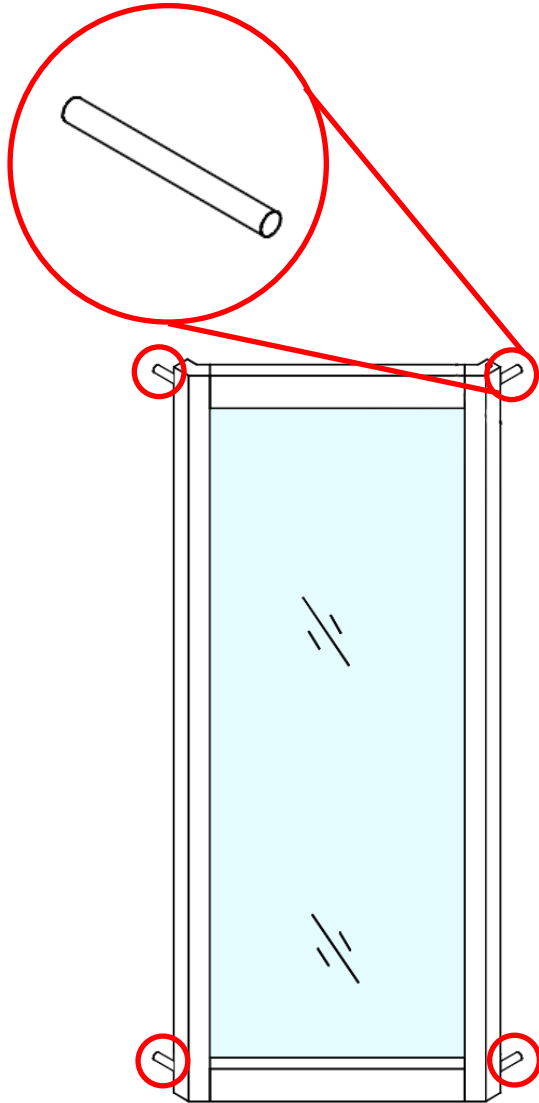


Step 4 — Placing the right side glass into position. Repeat Step 2

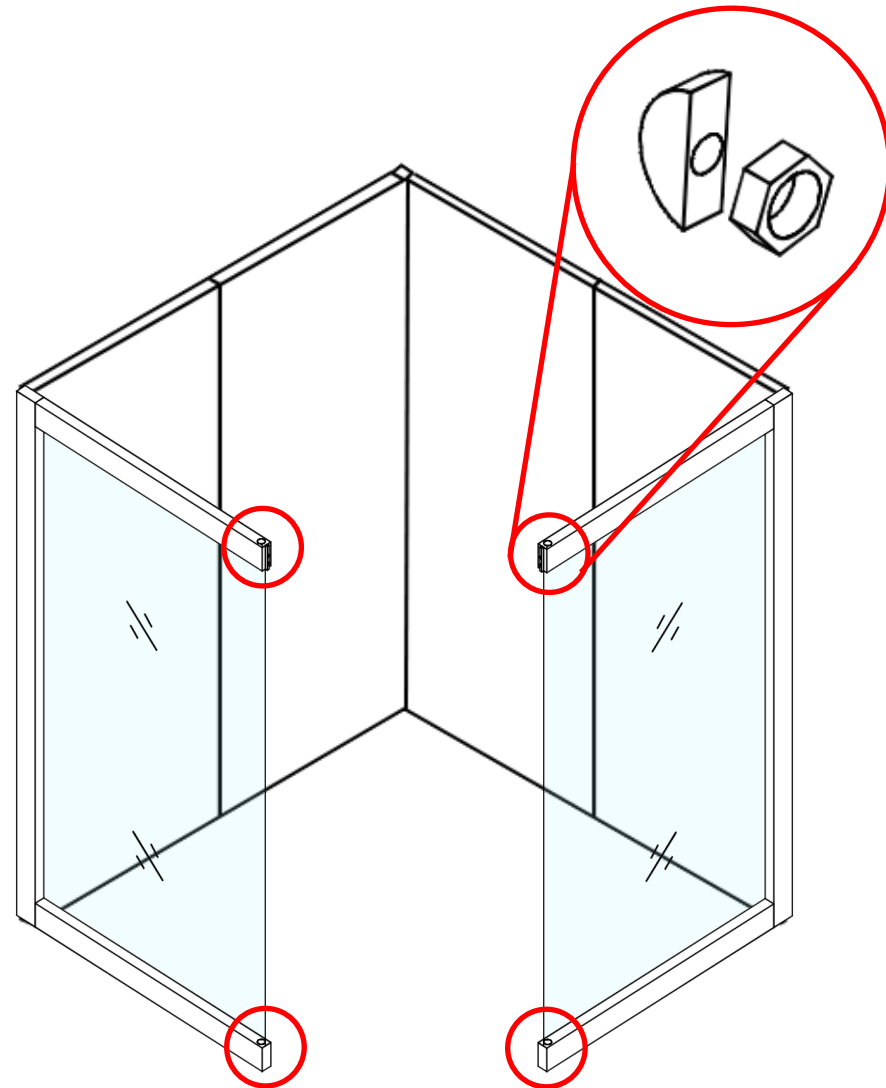


Step 5 — Installing the door

Part 1: Screw in the metal rods into the door's corner posts.

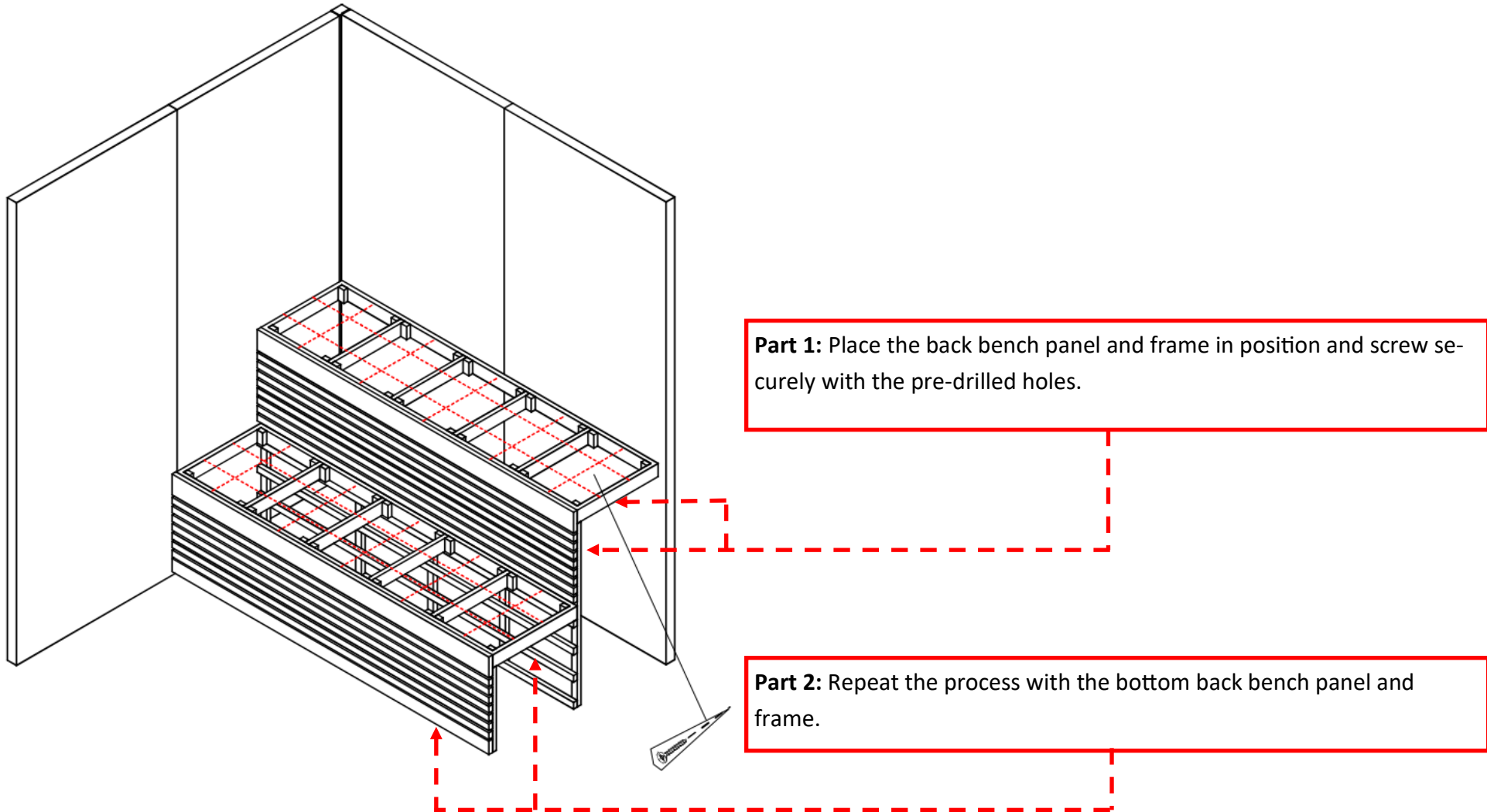


Part 2: When the door is placed into position between the left and right glass frames, the spacer and nut will secure the metal rod. The spacer and nut is screwed inside the left and right glass frames as shown below. Use the pre-made hole to reach the metal rod.

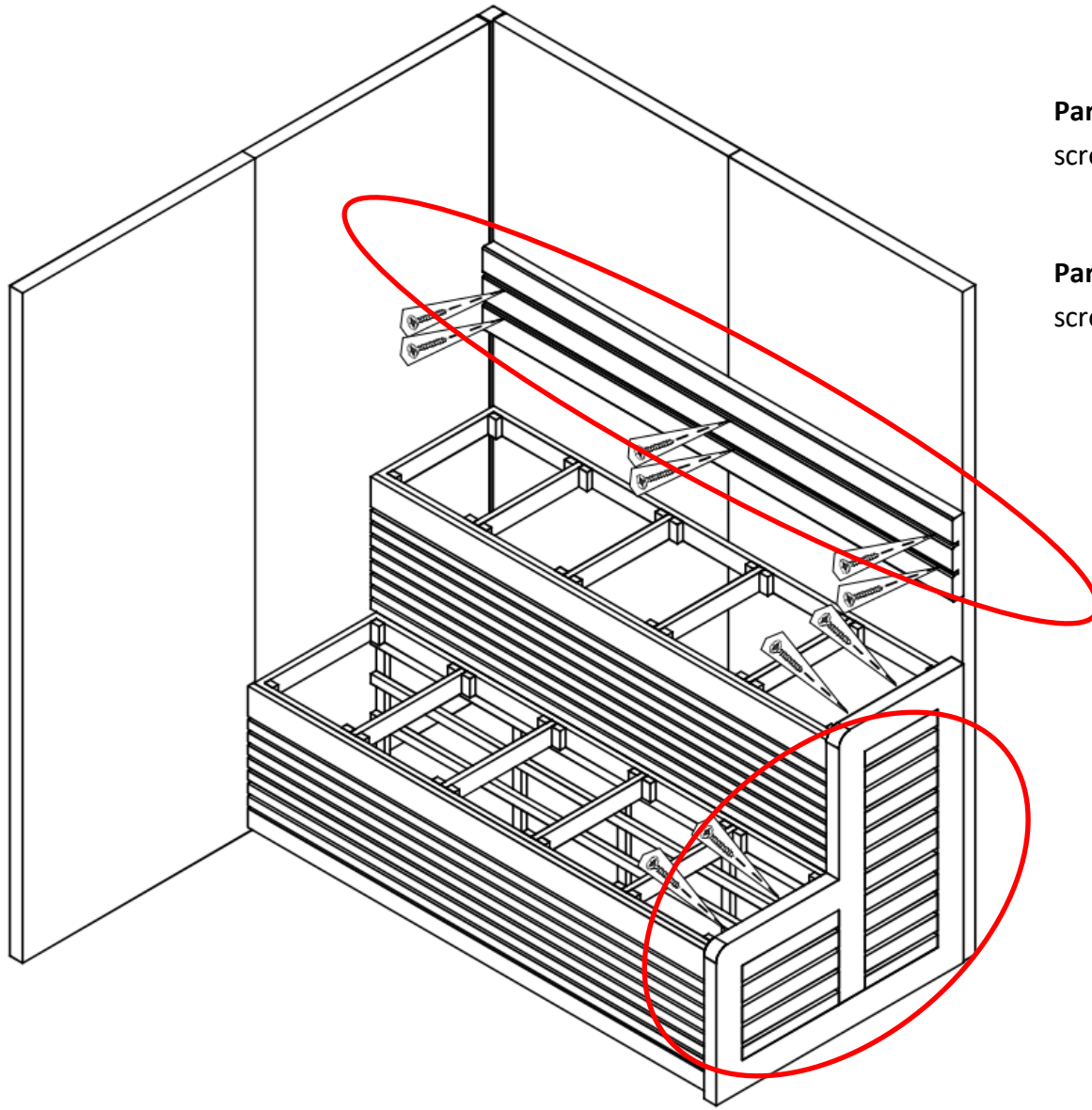


Step 6 — Installing the bench

Please Note: Images showing build without side glass to show bench installation.



Step 7 — Installing the back rest and bench side panel



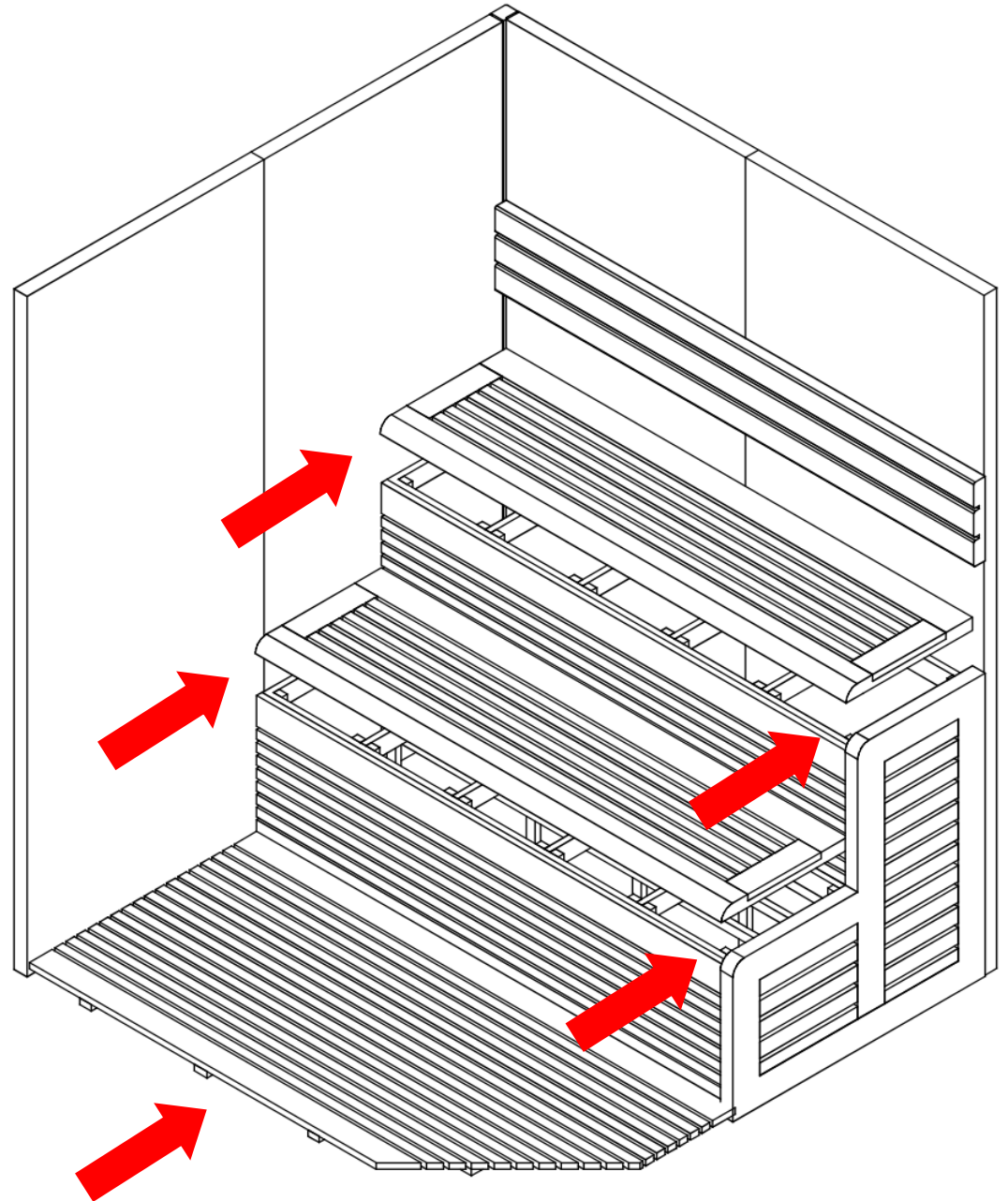
Part 1: Screw the backrest onto the right side backwall using the screws.

Part 2: Position the side panel for the bench into position and screw securely.

Step 8 — Installing the bench tops and

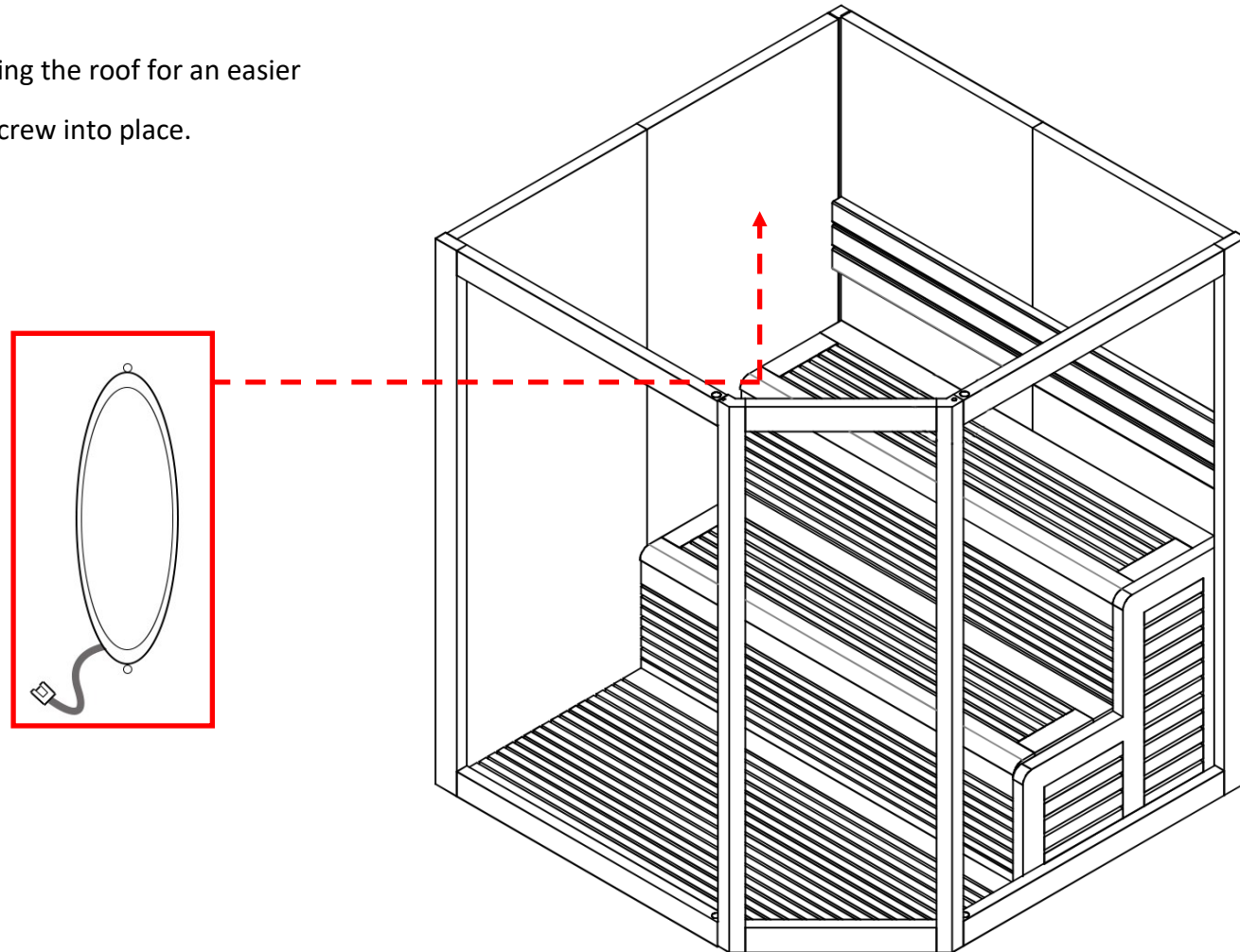
Slide and slot the bench tops into position.

Repeat this process with the floor insert.



Step 9 — Installing the interior light

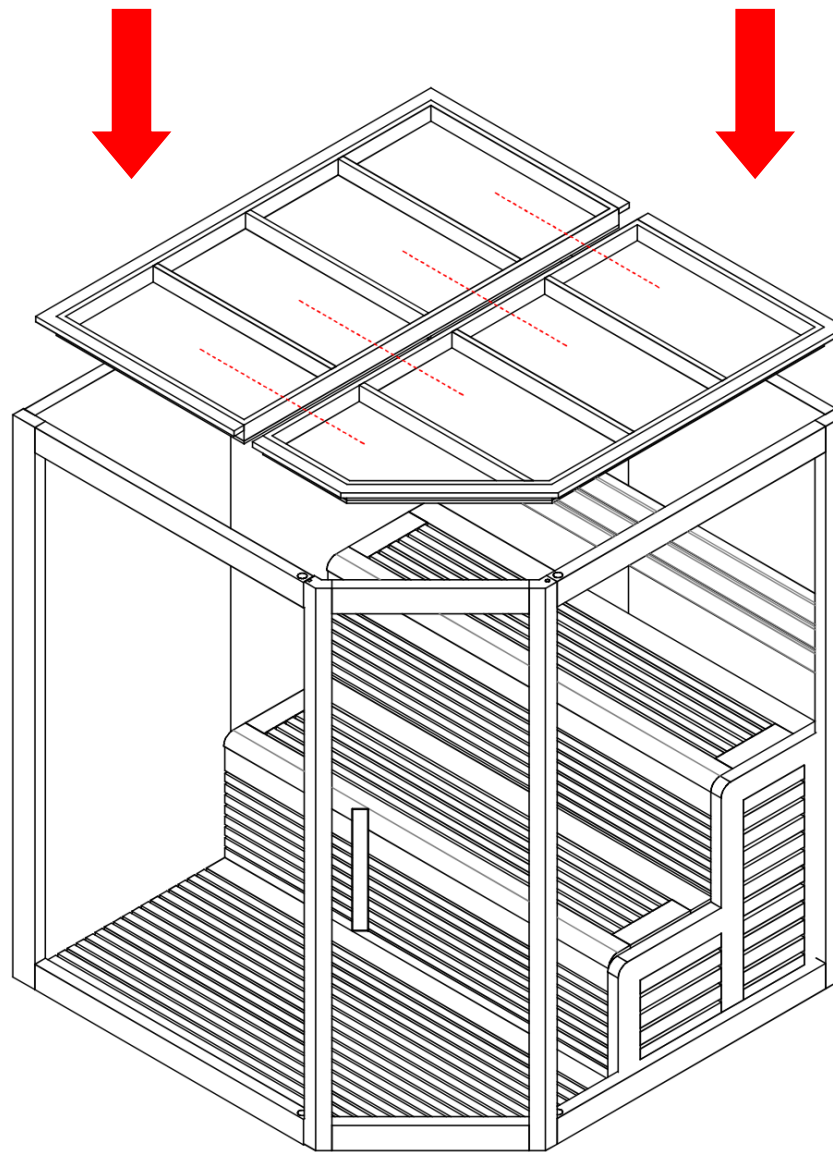
Install the interior light before installing the roof for an easier process of installation for this part. Screw into place.



Step 10 — Roof Installation

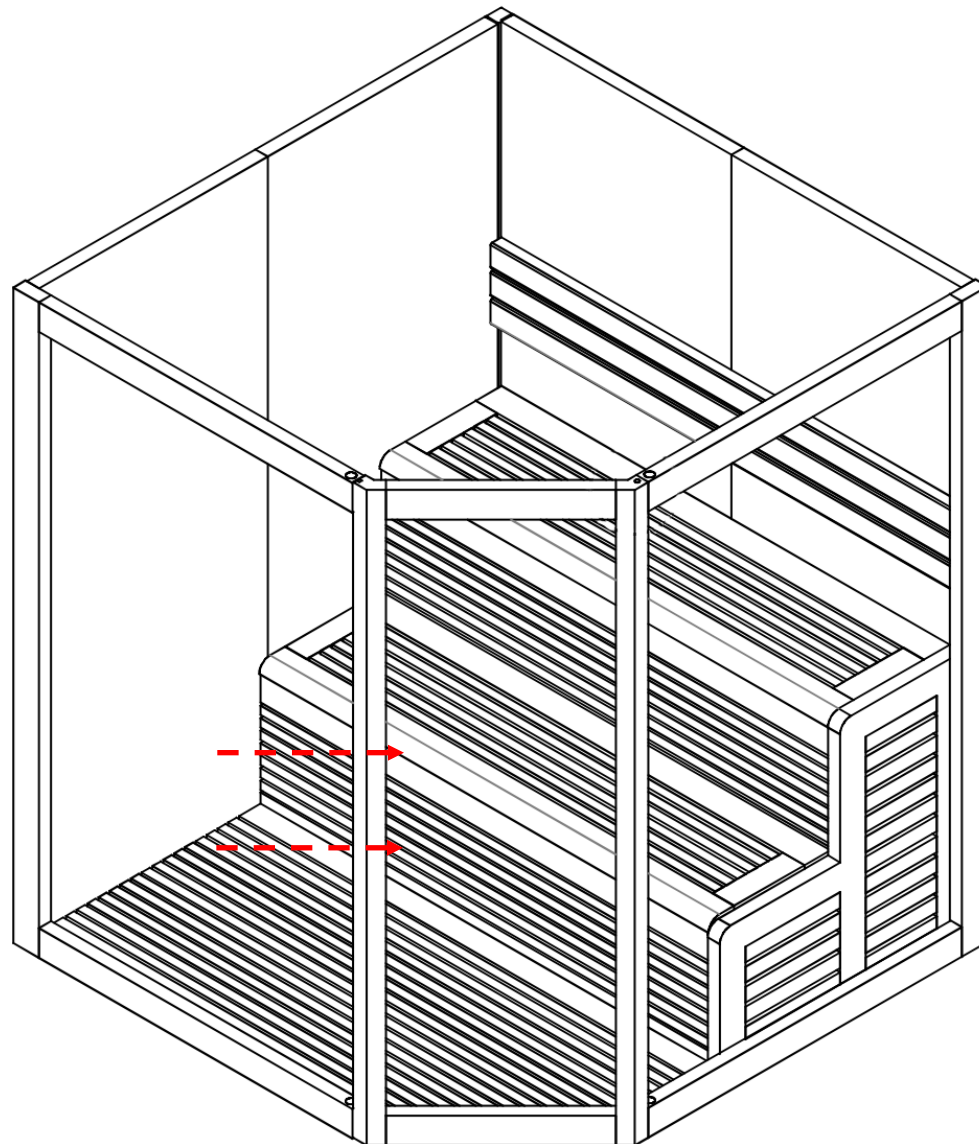
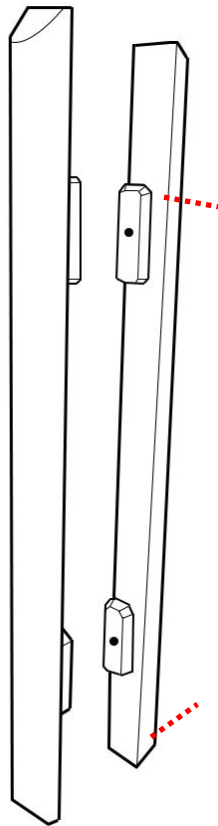
Part 1: Place the 2 parts of the roof onto a flat surface and screw together.

Part 2: Carefully lift on top of the sauna and position before screwing into place.



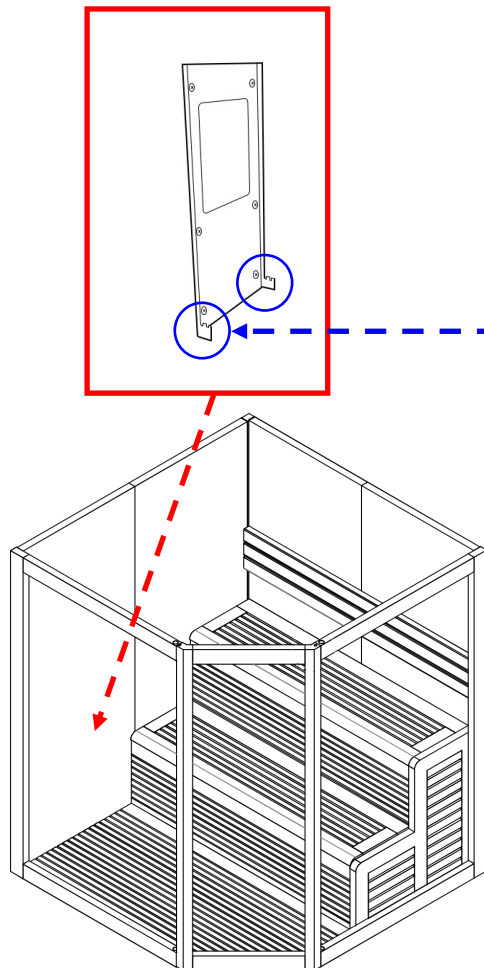
Step 11 — Door Handle

Unscrew the handle, place over the door and reconnect.

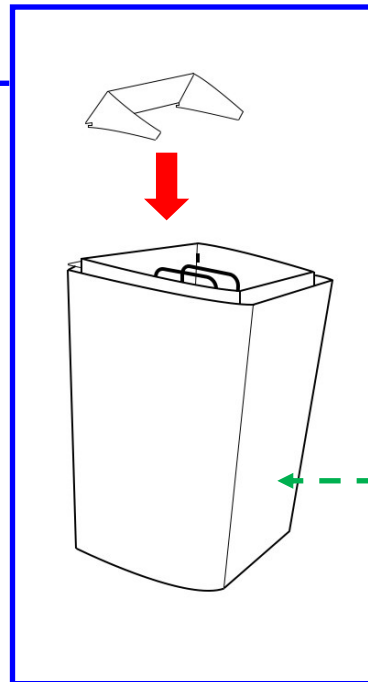


Step 12 — Installing the heater and heater guard

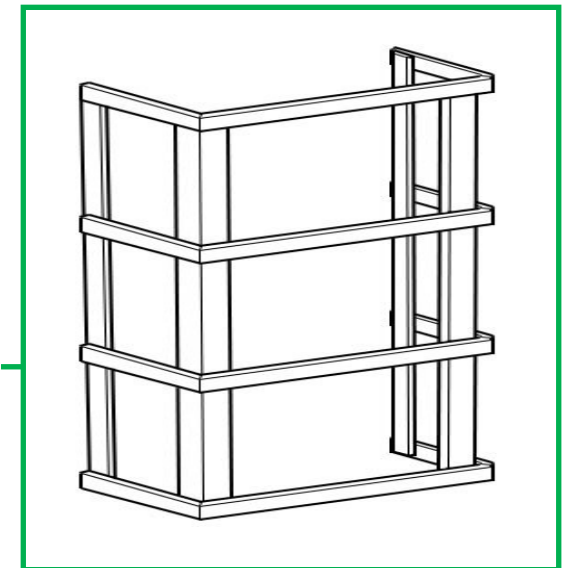
Part 1: Locate the heater backplate and screw into position using the screws provided in the heater box.



Part 2: Connect the heater hood by clipping it into the heater. Take the heater and locate it onto the backplate, resting the bottom within the grooves and securing it in position with a screw through a pre-made hole in the hood.

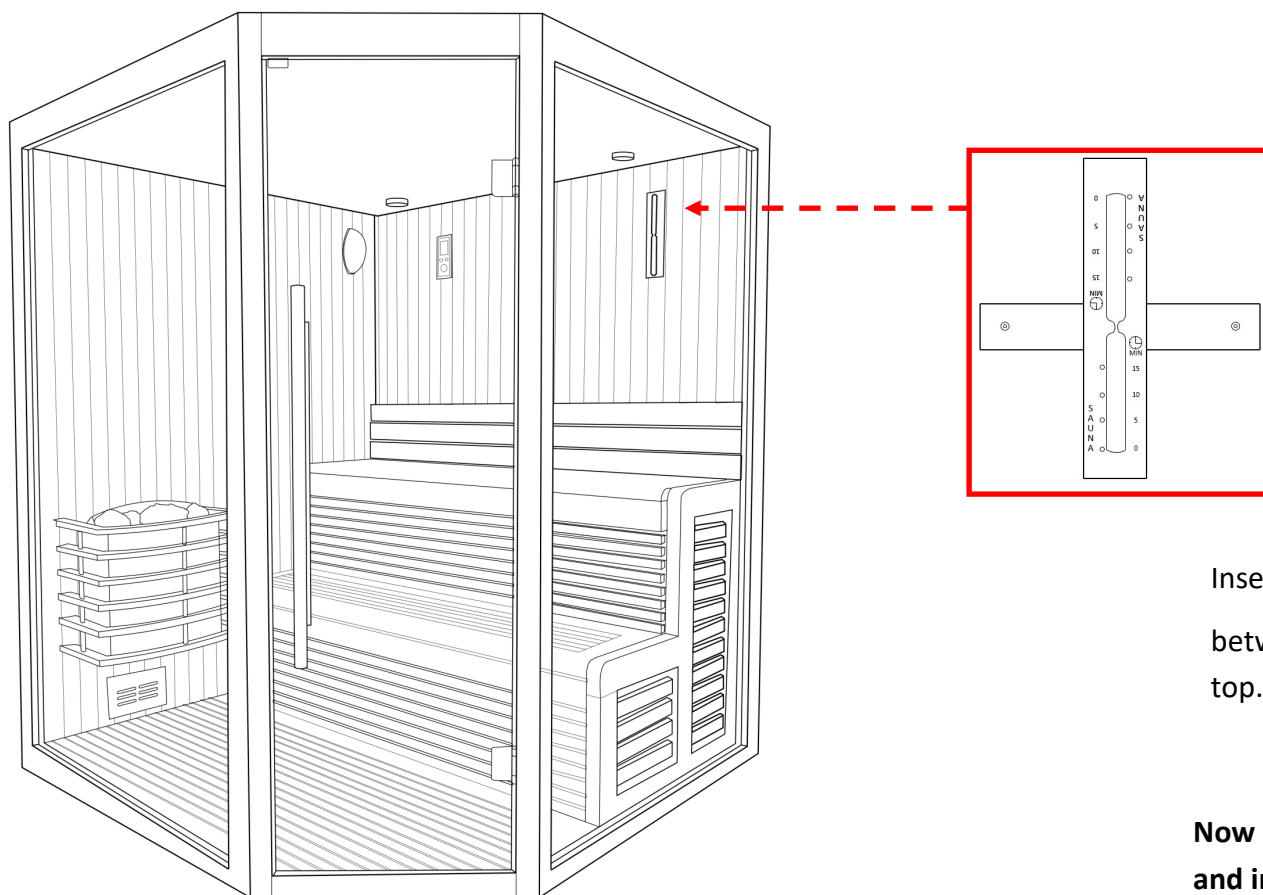


Part 3: Take the heater guard frame and place it around the heater and screw into position using ST60 Screws.



Step 13 — Installing the temperature gauge

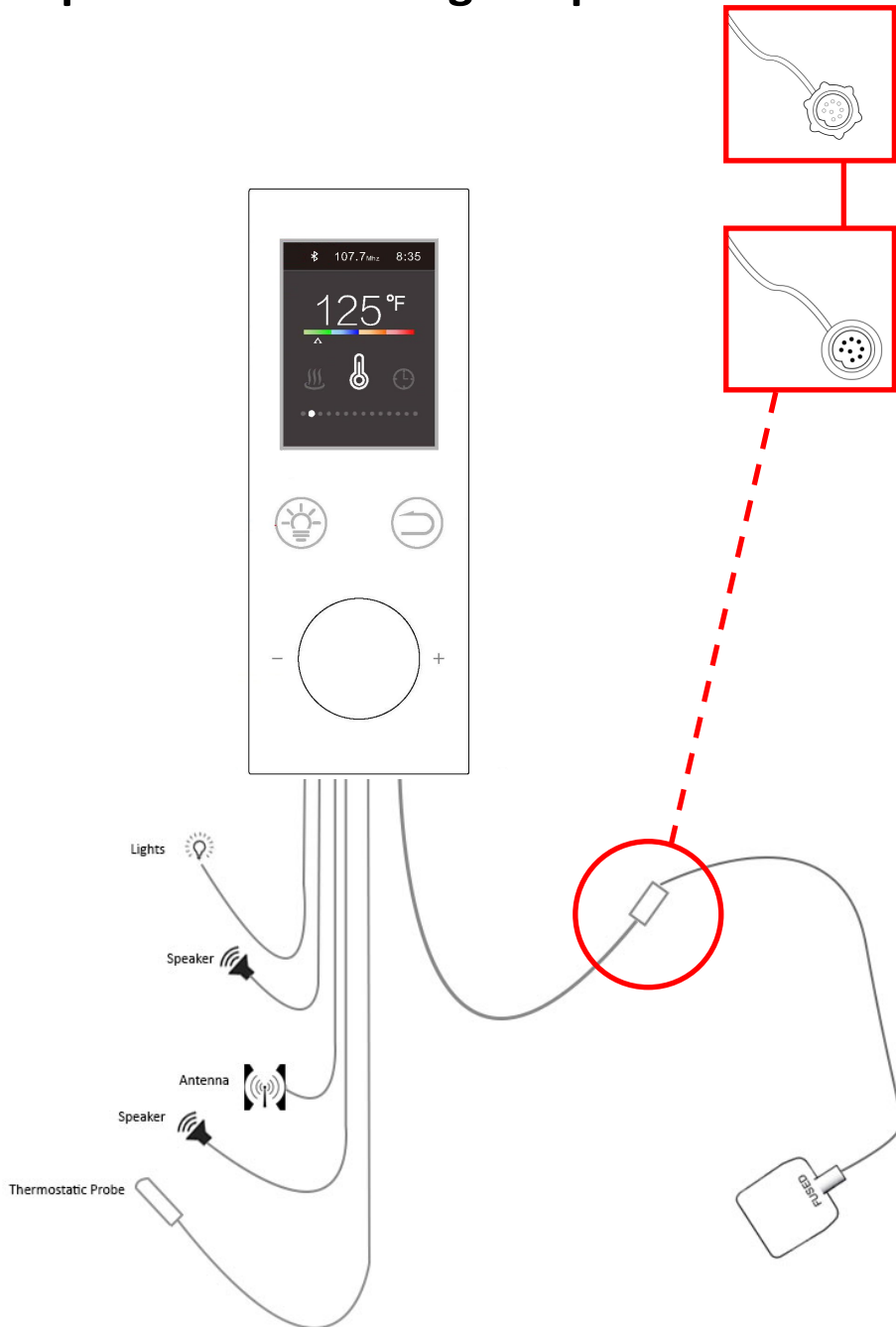
Screw the backplate into position then slot the gauge into the backplate.



Insert the rocks into the heater. Place smaller rocks between the heating elements and the larger rocks on top.

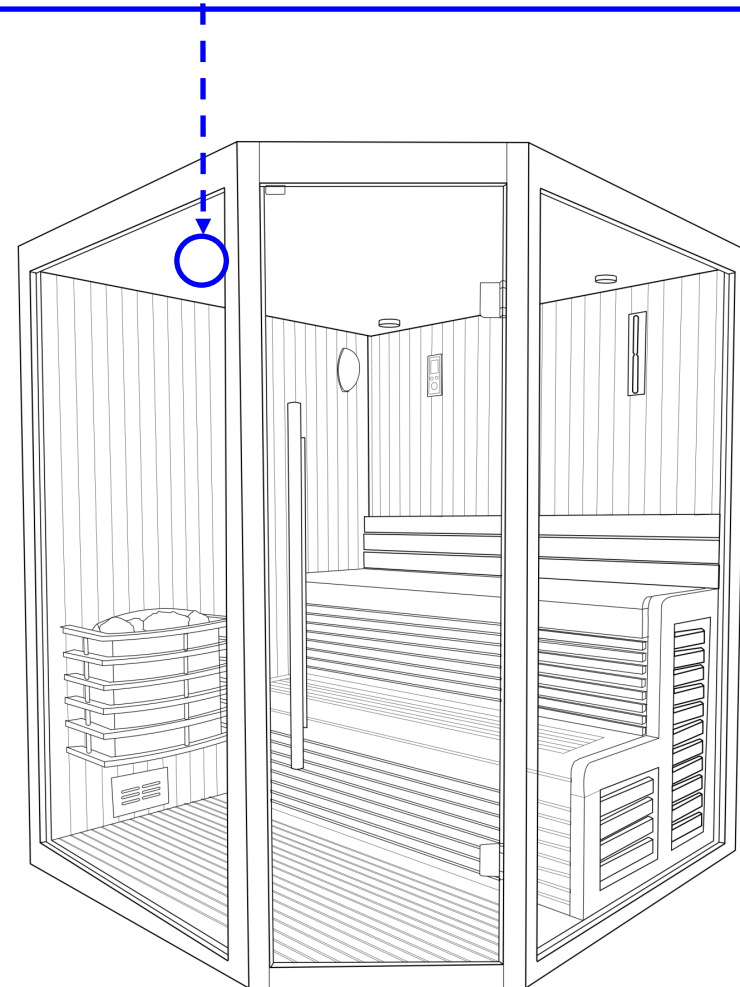
Now the Sauna is assembled, take the wooden dowels and insert over any screw to give the Sauna a sleek and neat finish.

Step 14 — Connecting the power



Part 1: Connect the control panel to the lights and speakers, located in the roof.

Part 2: Take the thermostatic probe and place through the thermostatic probe holder, also located in the roof.



Control Panel Instructions

Button 1 (Lights)

Turn the 12V light on or off.

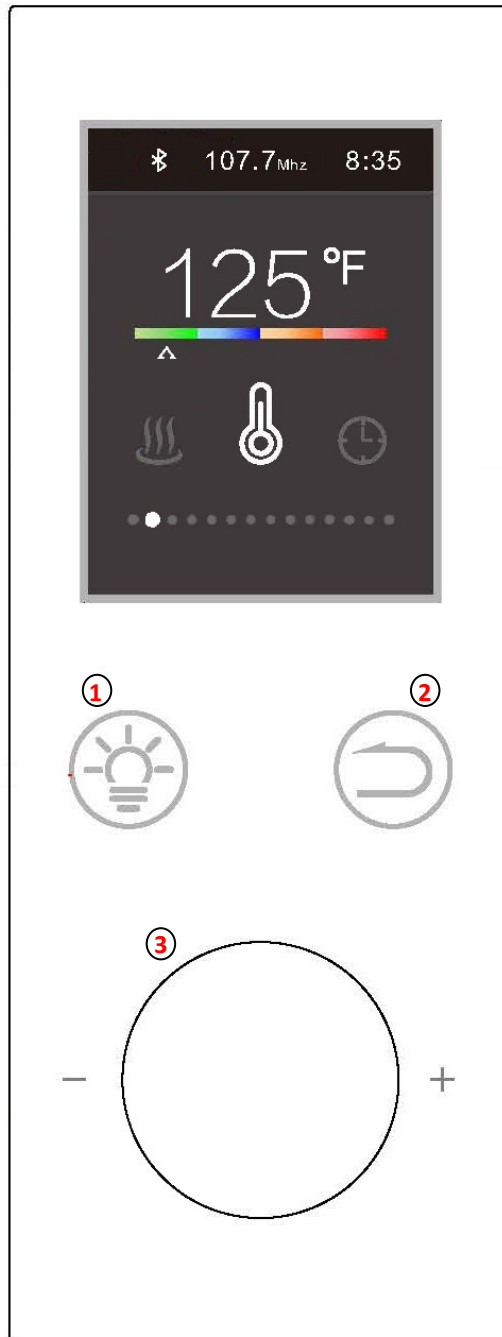
Button 2 (Return)



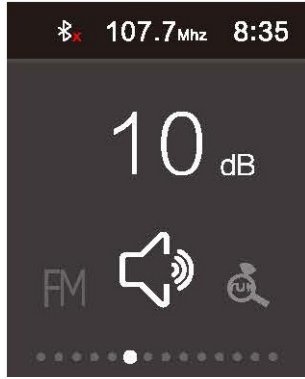



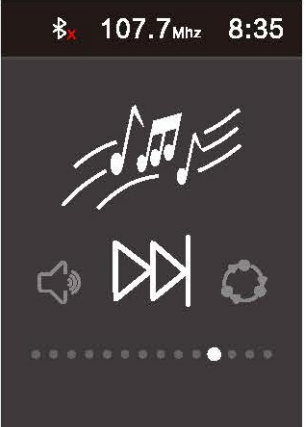


Press to return to the menu after a change is made.

Button 3 (Mode button/Scroll)

Press and hold for 3 seconds to power the panel on or off.

Press to change the control panel function, then scroll left or right to change settings. The panel automatically locks after 1 minute of inactivity. Press this button to unlock the panel.



<p style="text-align: center;">Coloured Lights</p>  <p>To operate the lights, press (Button 3) until you see the interface (left). Once here press (Button 3) and scroll through the light options.</p>	<p style="text-align: center;">FM Radio</p>  <p>To operate the FM Radio, Scroll (Button 3) until you see the interface (left). Once here, press (Button 3) to begin playing.</p>	<p style="text-align: center;">Volume</p>  <p>Scroll (Button 3) until you see the interface (left). Once here, press (Button 3) to enter the volume mode. Scroll up or down to change the volume.</p>
<p style="text-align: center;">Bluetooth Connectivity</p>  <p>To operate the Bluetooth, scroll with (Button 3) until you see the interface (left). Scan for the control panel on your device and pair. Once paired you should hear a connection tone. Press play on your device to begin listening.</p>	<p style="text-align: center;">FM Radio Station Search</p>  <p>Scroll (Button 3) until you see the interface (left). Once here, press (Button 3) and scroll to search through until it finds a station. Press again to continue searching.</p>	<p style="text-align: center;">Sauna Setting</p>  <p>Scroll (Button 3) until you see the interface (left). Once here, press (Button 3) to enter the sauna mode. This will toggle the Sauna heater on/off as desired. Use the Time/Temp settings to make the most out of your session.</p>
<p style="text-align: center;">Bluetooth Track Change</p>  <p>To change track whilst in the sauna form the panel, scroll to the audio interface (left). Then press the scroll (Button 3) and it will change to the next track. This will also change through the saved radio station list you have made. You can only skip forwards, not backwards.</p>	<p style="text-align: center;">FM Radio Station Save</p>  <p>Scroll (Button 3) until you see the interface (left). Once here, press (Button 3) and it will save the current radio station you are listening to. You can save up to 10 stations on this device.</p>	<p style="text-align: center;">12V Light Interface</p>  <p>Scroll (Button 3) until you see the interface (left). Once here, press (Button 3) to turn off the 12V light. Press again to turn it on. The light will turn on automatically when the panel is turned on.</p>

Settings



Scroll (Button 3) until you see the interface (left). Once here, press (Button 3) to enter the settings mode. Here you can set the clock which operates on a 24 hour system. You can also change the temperature display to Celsius or Fahrenheit. Change either by entering the setting using (Button 3) and then scroll to change. Press (Button 3) again to confirm selection.

Time/Temp Setting



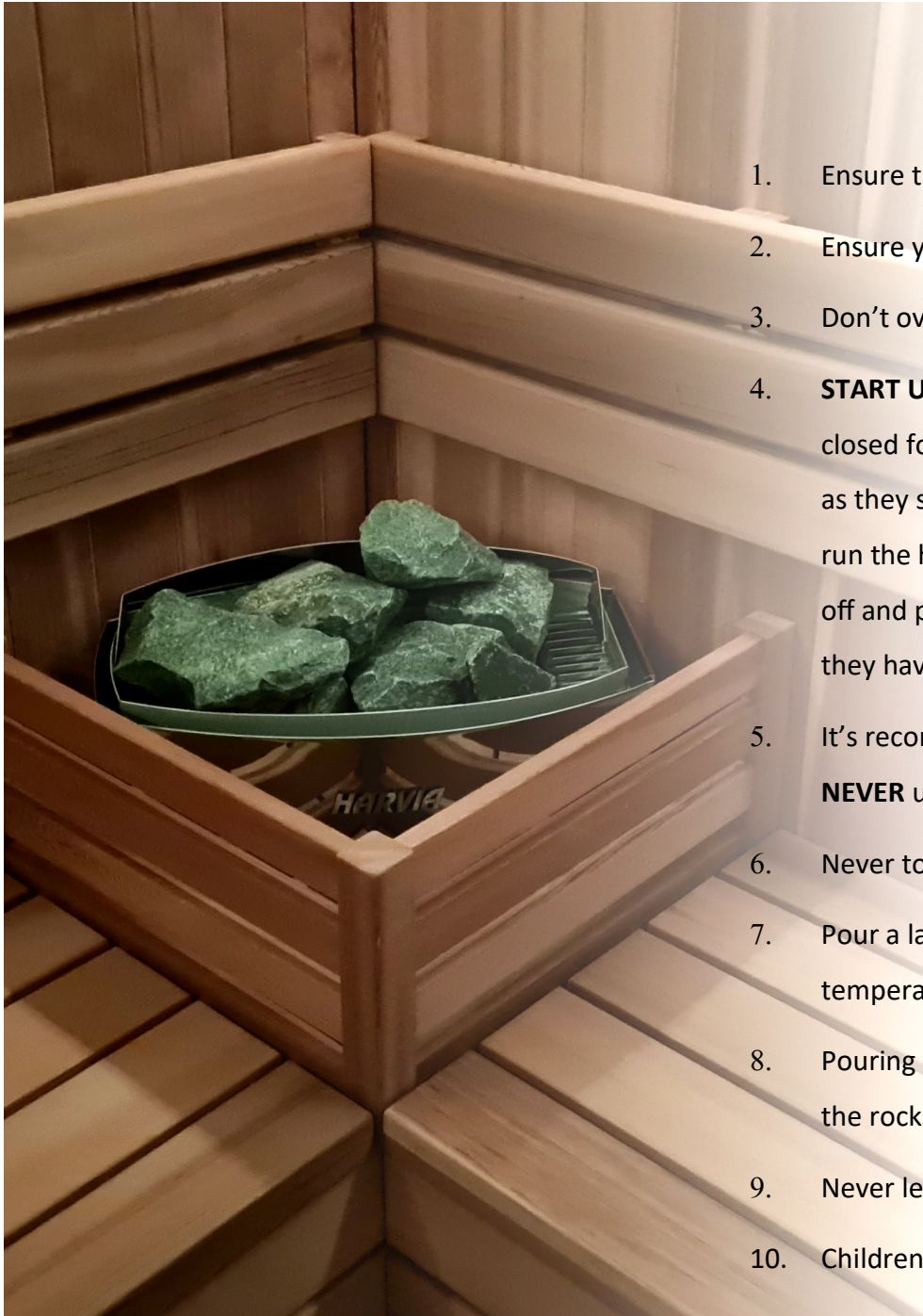
For temperature: Scroll (Button 3) until you see the interface (left). Once here, press (Button 3) to enter the temp mode. Scroll until desired temperature and simply press (Button 3) to confirm.



For time: Scroll (Button 3) until you see the interface (left). Once here, press (Button 3) to enter the time mode. Scroll until desired duration is set and simply press (Button 3) to confirm.

BEFORE FIRST USE — IMPORTANT

1. Ensure the rocks have been thoroughly washed before loading in to the heater.
2. Ensure you place the rocks loosely between the heating elements.
3. Don't over fill the heater, ensure sufficient airflow can be achieved for maximum output.
4. **START UP!** It's recommended that you heat the rocks thoroughly and leave the sauna door closed for a period of 20-25 minutes. The rocks being new may split or spit under the heat as they settle in. This is normal, but we recommend you don't sit in the cabin until you have run the heat through the rocks and they have settled in. You may want to turn the heater off and perform this a second time (when the rocks have cooled down) to be 100% certain they have settled in.
5. It's recommended that the rocks are replaced annually and only use approved Sauna rocks, **NEVER** use any other type of rock.
6. Never touch the rocks when they are fully heated.
7. Pour a ladle of water over the rocks approx. every 5 minutes to increase the air temperature.
8. Pouring too much water on the rocks will lower the room temperature as they will cause the rocks to cool down.
9. Never leave the Sauna unattended.
10. Children should not use the Sauna unsupervised.



Sauna Usage & Safety Guide

1. When turning the heating stove on, you **MUST** pour water over the rocks as it's the vapour that creates the heat not the rocks. The rocks alone will never heat up the sauna. Failure to do this could cause the rocks to split and break
2. Never leave children unattended in the Sauna.
3. Regulate (if preferred) the temperature of sauna before session - Pre-heat time 15-30 minutes (from room temperature 20o C) Do not allow your sauna to overheat during pre-heat or use. This can be undertaken in two ways.
 1. Use infrared heating only. (recommended)
 2. Set your heating stove to a low thermostat level (right knob). Set the timer to approx. 15 to 30 mins (left knob NOTE graded in hours) Failure to do so can result in warping of internal fittings caused through excessive heating/duration or lack of humidity.
4. Never leave unattended.
5. Suggested operational heat range: Stove—60o C-90o C. Infrared—30o C-40o C. Infrared optimum use range 35 C to 40 C
6. Never touch the heater panels whilst in operation, possible burning may occur.
7. Recommended time of use is a maximum of 15 mins. We highly recommend working up in time to this, beginning with 5 minute sessions to get your body used to using a sauna.
8. Stay hydrated during each Sauna session.
9. Exit the sauna immediately if feeling dizzy, faint or short of breath.
10. Do NOT use the sauna if you're pregnant, have a heart condition, have low or high blood pressure. If you're unsure consult your GP before use.
11. If you have any underlying health conditions which you feel could be aggravated by an increase in temperature, consult your GP before use.
12. If you begin to have any issues with your health after using a sauna, stop immediately and consult your GP regarding your symptoms before continuing to use.
13. Consult your GP before using the sauna room if you're on medication at all, especially with drowsy side effects.
14. Never use this sauna if you have been drinking alcohol or under the influence of other substances.
15. Do not put combustible material on the heaters at any time.
16. Always turn power supply off after use.

WEEE Compliance Statement

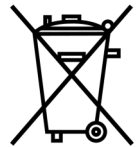
The UK Waste Electrical and Electronic Equipment (WEEE) regulations came into force on 2 January 2007. Under this new legislation, producers of electrical and electronic equipment (EEE) have to fulfil certain obligations.

Under the WEEE directive Insignia is considered the producer of certain products we supply and in line with the demands of the legislation we are pleased to offer the opportunity to return these products to us for treatment and recycling.

Insignia products will generally have an identifying mark and the common crossed out wheelie bin label. We accept returns of all products carrying the Insignia brand. All other products are either considered outside the scope of WEEE or Insignia is not technically the producer of these products. Insignia also accepts historic like-for-like WEEE returns. All WEEE returned to Insignia will be recycled in appropriate treatment and recycling centres in accordance with the legislation. If you wish to return any products to us, please send your item(s) to our head office.

Company Contract No. 326457

WEEE Producer No. CBDU64227



LABELLING

Products labelled with the WEEE symbol (a crossed out “waste bin”) indicate that the final user should not discard this product along with other household waste, but that it must be collected and treated separately.



Returns Address for WEEE

Insignia

9a Deans Road, Old Wolverton, Canon Industrial Park, Milton Keynes, Buckinghamshire, MK12 5NA, UK



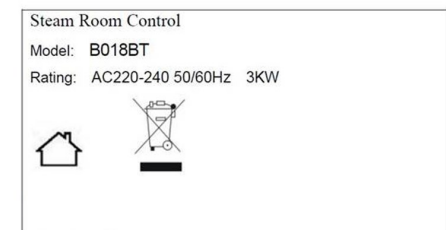
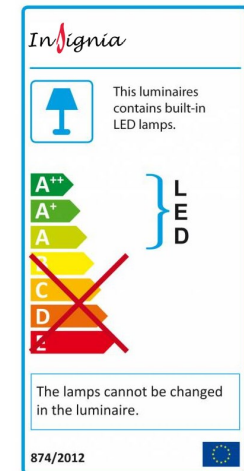
EU – Declaration of Performance

Insignia declares that all its products complies with the essential requirements and other relevant provisions of Directive 305/2011/EC. A copy of the Declaration of performance is available from www.insigniashowers.com/ce-certification

Insignia™ is a registered trademark of Maclean International Ltd, 9a Deans Road, Old Wolverton, Canon Industrial Park, Milton Keynes, Buckinghamshire, MK12 5NA, UK

All images are subject to copyright. Images may not be used in any way shape or form with out written permission from Maclean International Ltd. Images are NOT permitted to be saved, printed or uploaded. Violation of copyright laws are punishable by law.

All images are registered with
ImageTraker



Insignia™ is a registered trademark of Maclean International Ltd

All images are subject to copyright. Images may not be used in any way shape or form with out written permission from Maclean International Ltd. Images are NOT permitted to be saved, printed or uploaded. Violation of copyright laws are punishable by law.