



INSTALLATION MANUAL

MC115RT

Monochrome 1150mm x 850mm



30 Day Technical Support:

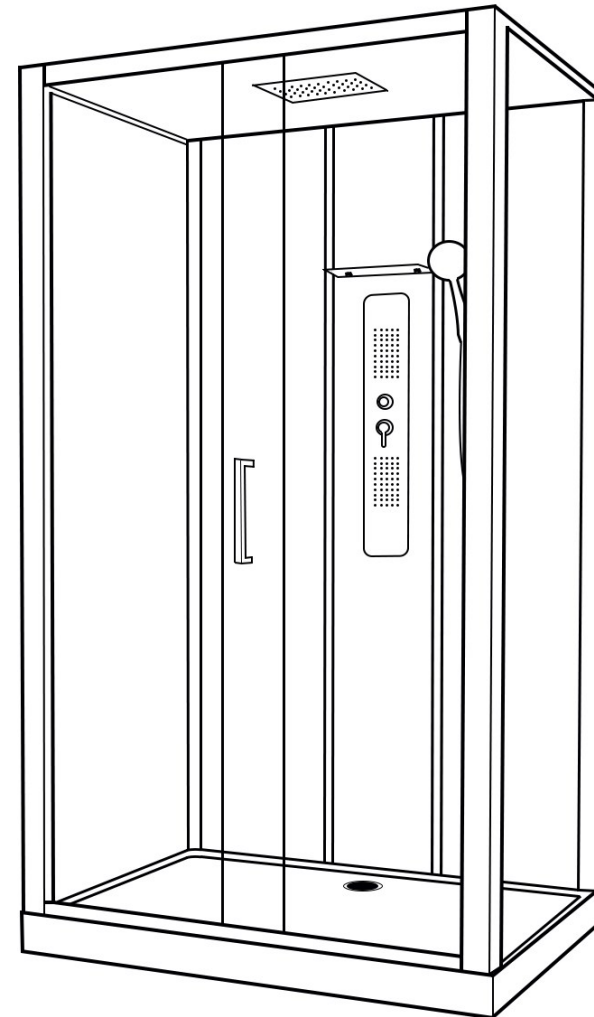
Call **01908 317512** and request technical support for aiding your installation.

Replacements Parts: Inside of your warranty period visit:

<https://www.insigniashowers.com>, click support and make a warranty claim.

Spares/Replacements Parts: Outside of your warranty period visit

<https://www.insigniashowers.com/replacement-parts.html>



ATTENTION INSTALLERS:

These instructions must be left with the customer

CHECK ALL CONTENTS BEFORE BUILD COMMENCES. NO RETURNS CAN BE MADE ONCE THE BUILD HAS STARTED AS IT IS DEEMED ACCEPTANCE OF PRODUCT!

WARRANTY REG NO: _____

To claim your full 5 year warranty, register your shower within 90 days visit:

<https://www.insigniashowers.com>, click support and register for your warranty

Contents

Thank you for your purchase	3
Tips for assembly	4
Braided Hose QR Code/Link	5
Pressure/Tool requirements	6
Box contents	7
Screw Pack/Accessory Contents	8
Screw Pack/Accessory Contents Diagrams	9
Box Contents (exploded diagram)	10
Level the Tray and Connecting the Waste	11
Applying RubberGum	12
Installing the Water Valve and Hand Shower Holder	13
Installing the Glass Shelf and Back Panel Seals	14
Installing the Back Panels	15
Installing the Side Panels	16
Installing the Top & Bottom Rails	17
Installing the Front Fixed Glass	18
Installing the Door Wheels, Seals and Handles	19
Installing the Doors	20
Installing the Roof	21

Installing the Water Connections	22
Signing off your shower	24
Parts list	25
Steam Room and Shower Safety Guide	26
WEEE Compliance Statement	27

The words "Thank You" are written in a highly decorative, black calligraphic script. The letters are fluid and interconnected, with large, sweeping flourishes that give the text an elegant and personal feel.

Thank you for your recent purchase of an Insignia shower. Please read this booklet with great care to ensure you get the best out of your build and have a shower that will last for many years to come! Like everything, in order to obtain a first class product that will serve you well for many years, the effort and correctness put into the assembly will reflect in the quality of your finish.

Before we start, here's our 4 top tips which may assist you...

TIP 1—Building Your Shower

This product is suitable for a DIY build, providing you are confident in your DIY abilities. Please look through this build guide and decide on whether you feel confident in undertaking this task. If you are not, seek the services of a professional and show them these instructions before hiring.

TIP 2—Hard Water

Due to the nature of this product we highly advise the purchase and fitting of a water softener.

(Please note: limescale build up may cause damage to your shower and will not be covered under warranty)

TIP 3—Installation

These showers are designed to be free standing and movable from their location should you have the need to replace anything.

ALWAYS USE Flexible braided water inlet pipes (not supplied) and not central heating plastic type! Get your WRAS Approved Flexible Braided Hoses [here](http://www.insigniashowers.com/wras-approved-braided-hoses.html). (www.insigniashowers.com/wras-approved-braided-hoses.html)

NEVER FIX with rigid pipes, **NEVER FIX** the unit to the wall or floor.

TIP 4—Sealing

When using Insignia's RubberGum, please ensure the product does not come in contact with your silicone as this will cause the RubberGum to fail and will not adhere as intended. RubberGum is immediately waterproof and will gain additional strength over time.

Have you got yours?

Essential for your shower build!

The Insignia **WRAS** approved flexible braided shower hose is an essential part of your shower build. Designed specifically for connecting the hot and cold water feeds allowing for an easier installation. **Note: These are not available in shops.**

Don't worry if you have forgotten to purchase this as we've included this handy link for you! All you need to do is use your smart device and simply point your camera at the QR code to scan it. You can also download a free QR reader app.



Not got a smart device? No problem! Just type the following web link into your web browser:

www.insigniashowers.com/wras-approved-braided-hoses.html

Essential
Item



Pressure/Water Requirements

We recommend a BAR pressure between 2.5 and 3.4 BAR. If you have a combi boiler system no problem should be experienced. If you have a gravity feed older type installation (hot water tank type usually less than 1 BAR) you will almost certainly need a pump. We cannot advise on which type of pump is used, location or design because all house plumbing layouts vary. This is a job for your installer/plumber. The end delivery however must fall within the scope above.

Important Note Do not exceed 3.4 BAR pressure under any circumstances. Warranty is void if so as damage will occur. If you have a combi supply, please use a pressure reducing valve if required to lower the BAR pressure to the shower.

Please Remember that this product is free standing and is designed to be pulled away from the wall.

Waste connection HOUSE to SHOWER.

Always use a McAlpine or similar approved 40mm compression joint fitting. Never use glued joints!

Your waste hose is specifically designed not to accept glued joint fittings.

Correct compression joint fittings avoid degradation of materials.

The water supply pipes must be that of a flexible braided type **(not supplied)**.

DO NOT OVERTIGHTEN THE BRAIDED HOSES AS IT CAN CAUSE THE CONNECTION TO POP AFTER A FEW WEEKS OF USE.

Always fit easy to get to isolation taps on both hot and cold water supply (not supplied). Just like a dishwasher or washing machine, this product **MUST** be isolated when not in use.

Tools Required

You will require:

- | | |
|---|--|
| <ul style="list-style-type: none"> • Scissors • Knife • Spirit Level • Tape Measure | <ul style="list-style-type: none"> • Philips Screwdriver • Electric Drill • Safety Gloves • Safety Glasses |
|---|--|

Parts Required

- RubberGum (supplied)
- Plumbers Mait (not supplied)
- Hot and cold isolation valves (not supplied)
- Suitable McAlpine or similar approved 40mm compression joint fitting.
- 2x Braided hoses (not supplied) Steam version requires 3. If you haven't purchased these already, simply click the following link below or copy in to any web browser. For ease we have listed the required pack below for your install.
- Shower cabins require **pack 1**

<https://www.insigniashowers.com/wras-approved-braided-hoses.html>

What's in the Boxes?

Box	Contents	Quantity	✓
Tray	Shower Tray	1	[]
	Shower Roof	1	[]
	Bottom Rail	1	[]
	Top Rail	1	[]
	Waste + Hose	1	[]
	Glass Shelf	2	[]
	Screw Pack	1	[]
	Hand Shower	1	[]
	Shower hose	1	[]
	Water Valve	1	[]
	Accessories (see next page)	1	[]
Side Glass	Left Side Panel	1	[]
	Right Side Panel	1	[]

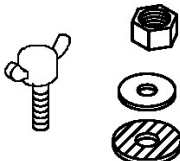
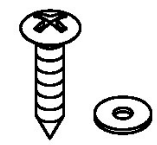
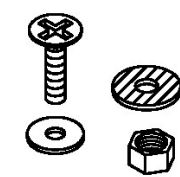


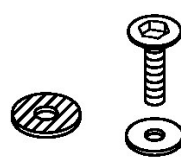
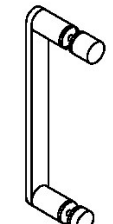
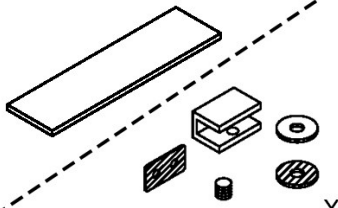
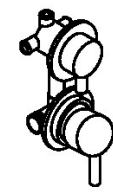
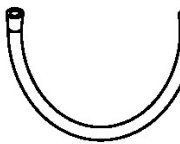
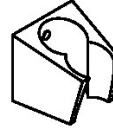


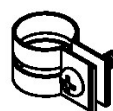
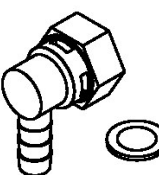


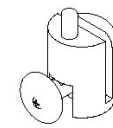
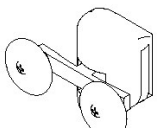
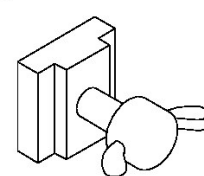
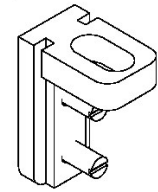
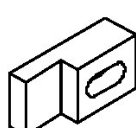
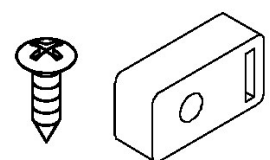

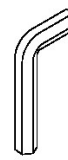
Column	Column	1	[]
	Upright Profiles	2	[]
	Magnetic Door Seal	1	[]
	Rear Flap Door Seal	1	[]
	Fixed Glass Flap Seal	1	[]
	Fixed Glass Ribbed Seal	1	[]
	Left Back Panel	1	[]
	Right Back Panel	1	[]
	Glass Room	Glass Door	1
Front Fixed Glass		1	[]

VERY IMPORTANT

Have you got everything? If not please contact the Insignia directly on **01908 317 512**. Remember **NEVER** book your tradesman until everything has arrived, been checked and is present. No replacement/missing parts can be obtained free of charge during or after the build. Any claims can only be within the timescale permitted (48 hours after delivery) and always **BEFORE** build.

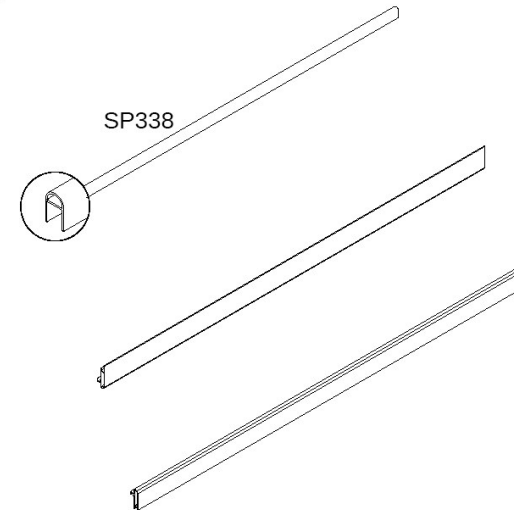
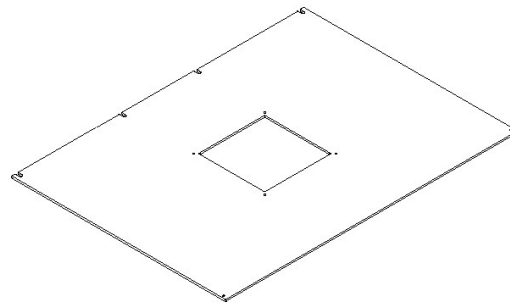
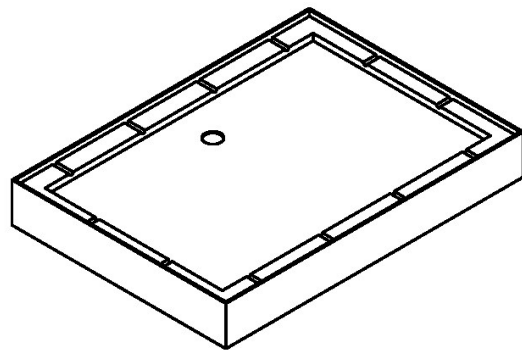
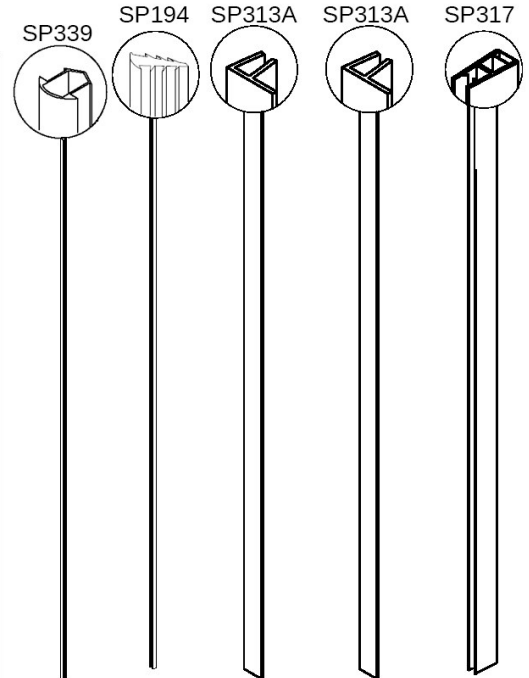
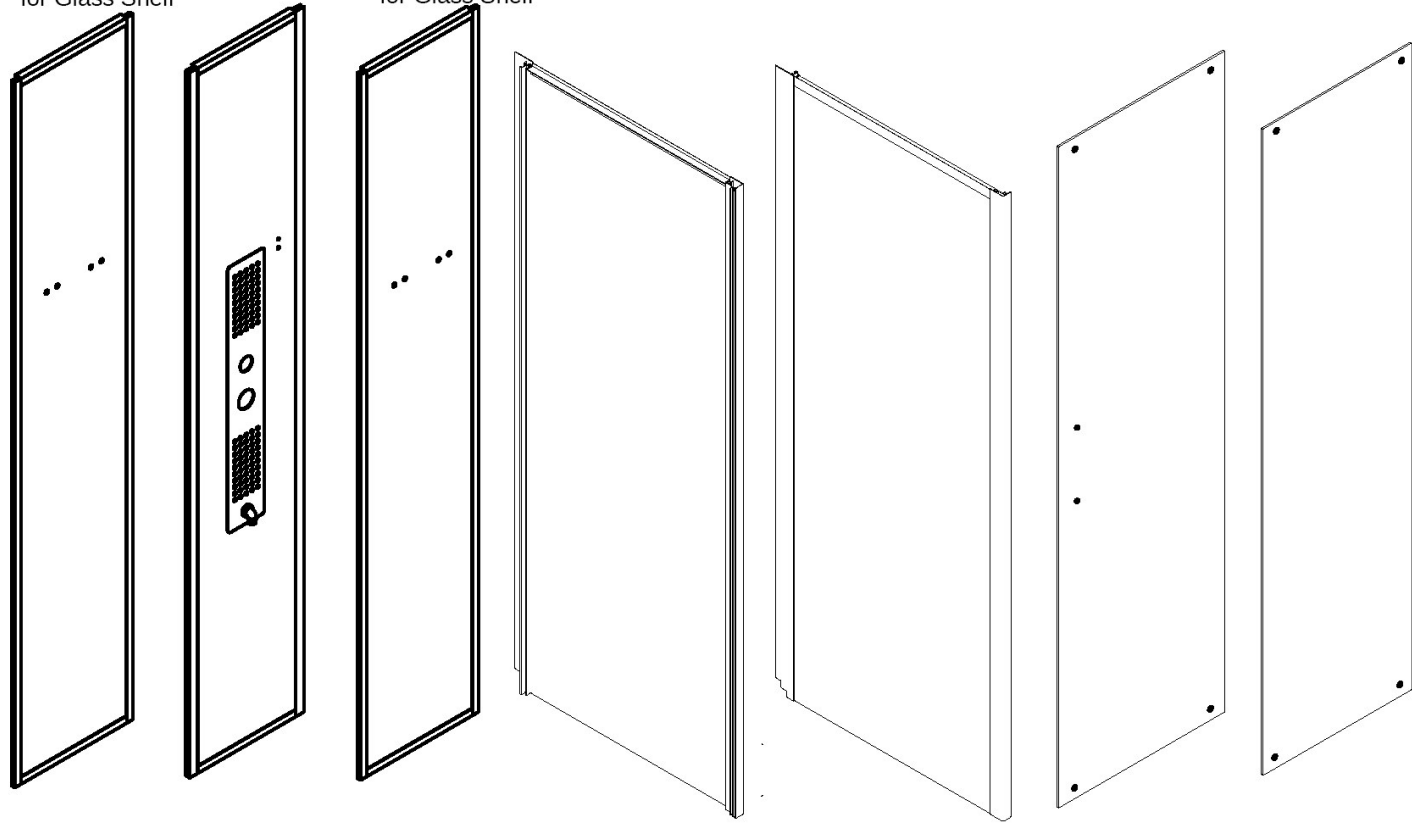
Screw Pack + Accessory Contents

Product Code	Description	Quantity
AMI01	Jubilee Clip	10
WN25	25mm M5 Wing Nut and Bolt	4
ST18	18mm M4 Screw	4
NB16	16mm M4 Nut & Bolt	10
ST12	12mm M4 Screw	2
NB20	20mm M6 Nut and Bolt	2
ST10	10mm M4 Screw	2
SW9	Small Washers (16 metal, 20 Rubber)	36
SP312	Monochrome Door Handle—Black	1
SP268	Shower Hose	1
SP015	Hand Shower Holder	1
SP057	90 Degree Chrome Water Outlet	1
SP101	PVC Hose (for water connections)	1
SP009	90 Degree Threaded Elbow Joint	3
SP263A	Monochrome Door Wheels (Spring)	2
SP263B	Monochrome Door Wheels (Non-Spring)	2
SP314	Monochrome Screw Fixing Block/Wing Bolt (two separate pieces)	12
SP404	Monochrome 'L' Bracket Connection	8
SP402	PRC20 Glass Retaining Clip	2
SP053	T-Piece Ribbed Connector	1
SP403	Monochrome Door Stops	4
AK3	3mm Allen Key	1
AK4	4mm Allen Key	1

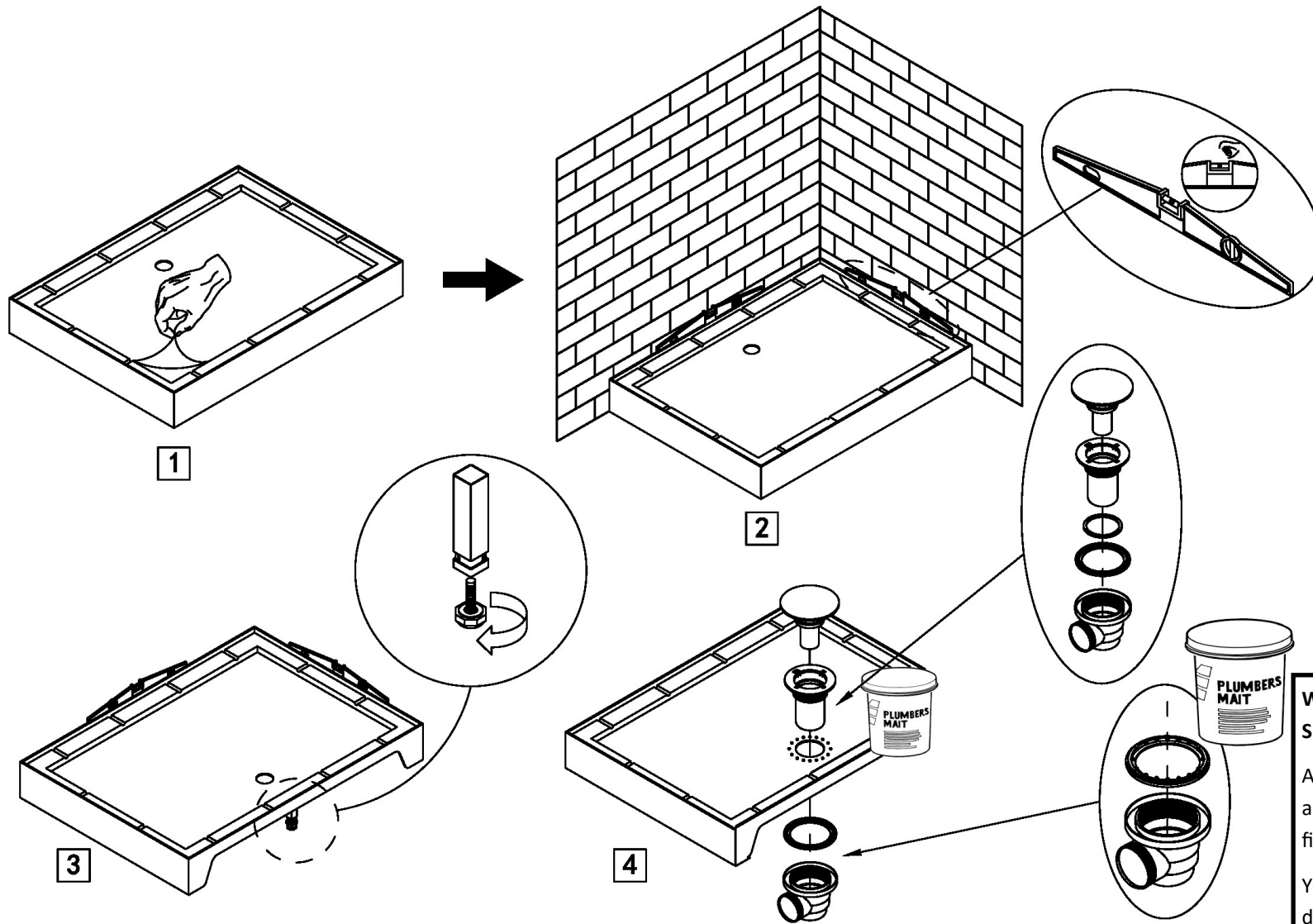
<p>WN25</p>  <p>x4</p>	<p>ST18</p>  <p>x4</p>	<p>NB16</p>  <p>x10</p>	<p>ST10</p>  <p>x4</p>	<p>SP053</p>  <p>x1</p>	<p>NB20</p>  <p>x2</p>
<p>SP312</p>  <p>x1</p>	<p>SP318</p>  <p>x2</p>	<p>SP170</p>  <p>x1</p>	<p>SP268</p>  <p>x1</p>	<p>SP015</p>  <p>x1</p>	
<p>SP057</p>  <p>x1</p>	<p>SP101</p>  <p>x1</p>	<p>AMI01</p>  <p>x10</p>	<p>SP009</p>  <p>x3</p>	<p>SP316</p>  <p>x1</p>	
<p>SP319</p>  <p>x1</p>	<p>SP263A</p>  <p>x2</p>	<p>SP263B</p>  <p>x2</p>	<p>SP314</p>  <p>x12</p>	<p>SP404</p>  <p>x8</p>	
<p>SP402</p>  <p>x2</p>	<p>SP403</p>  <p>x2</p>	<p>AK3</p>  <p>x4</p>	<p>AK4</p>  <p>x8</p>		

Two pre drilled holes
for Glass Shelf

Two pre drilled holes
for Glass Shelf



Step 1 — Level the Tray and connecting the waste



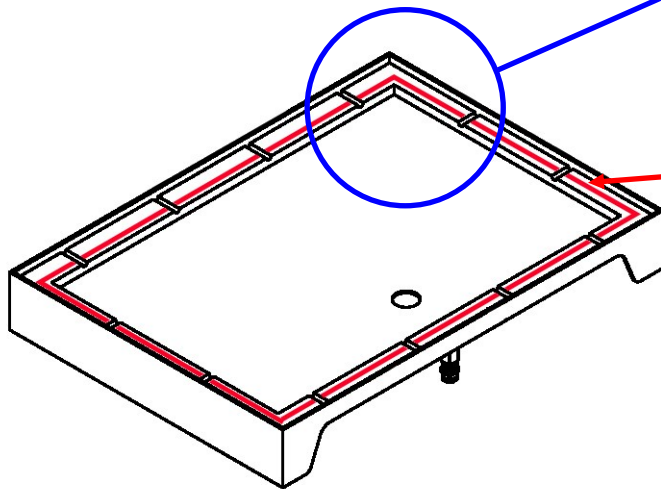
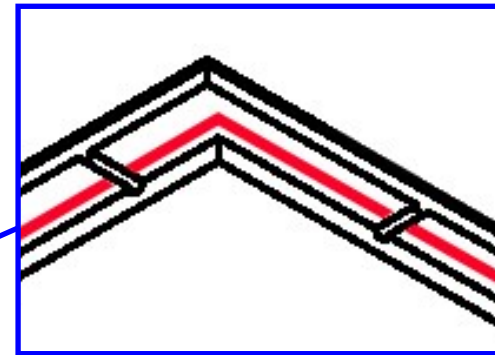
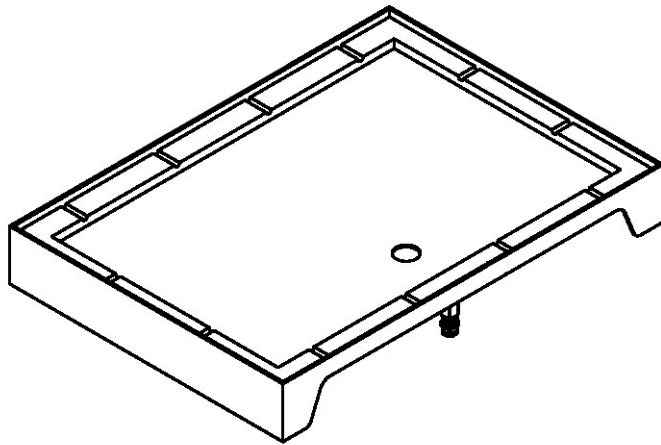
Waste connection HOUSE to SHOWER.

Always use a McAlpine or similar approved 40mm compression joint fitting. Never use glued joints!

Your waste hose is specifically designed not to accept glued joint fittings.

Correct compression joint fittings avoid degradation of materials.

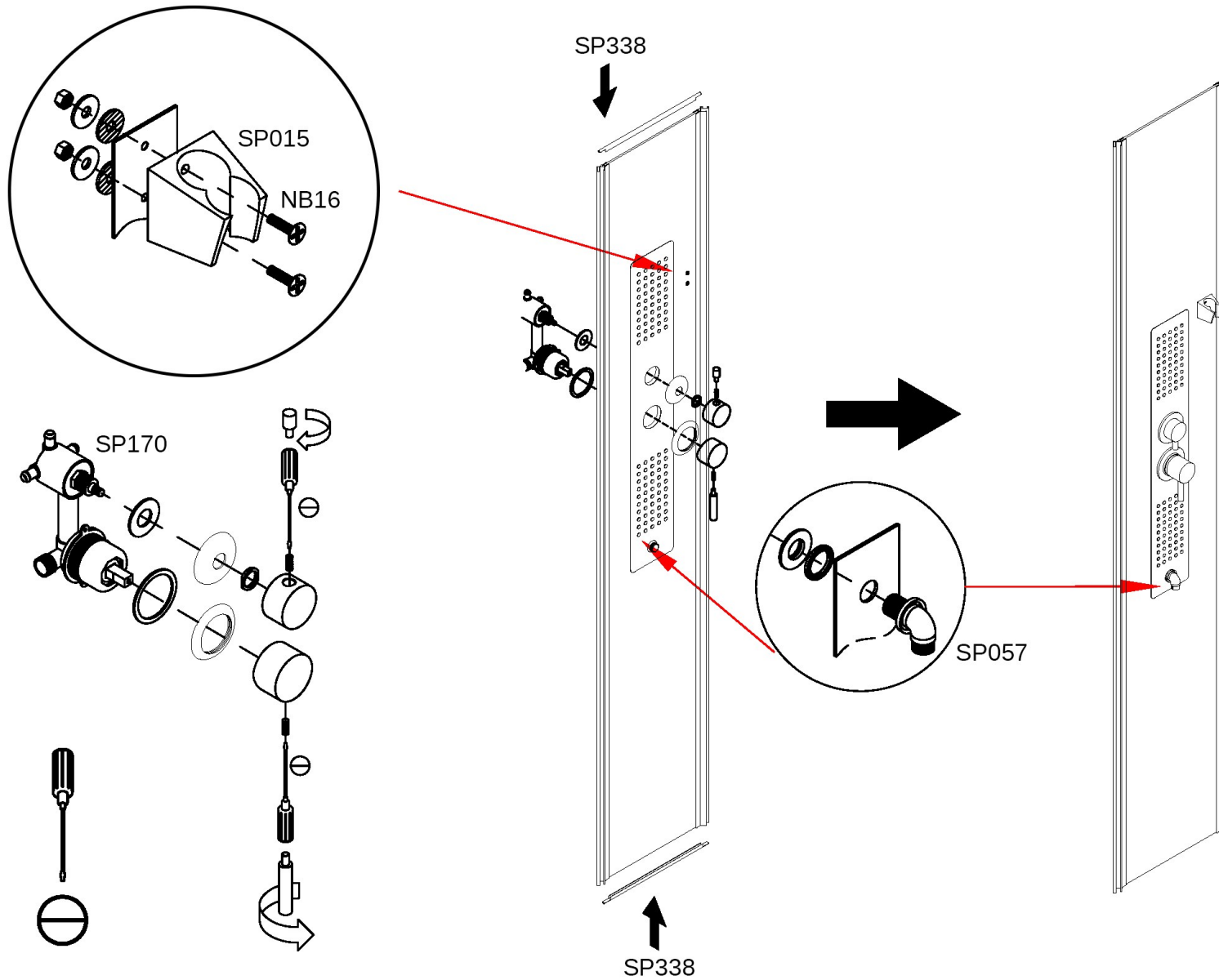
Step 2 — Applying the RubberGum



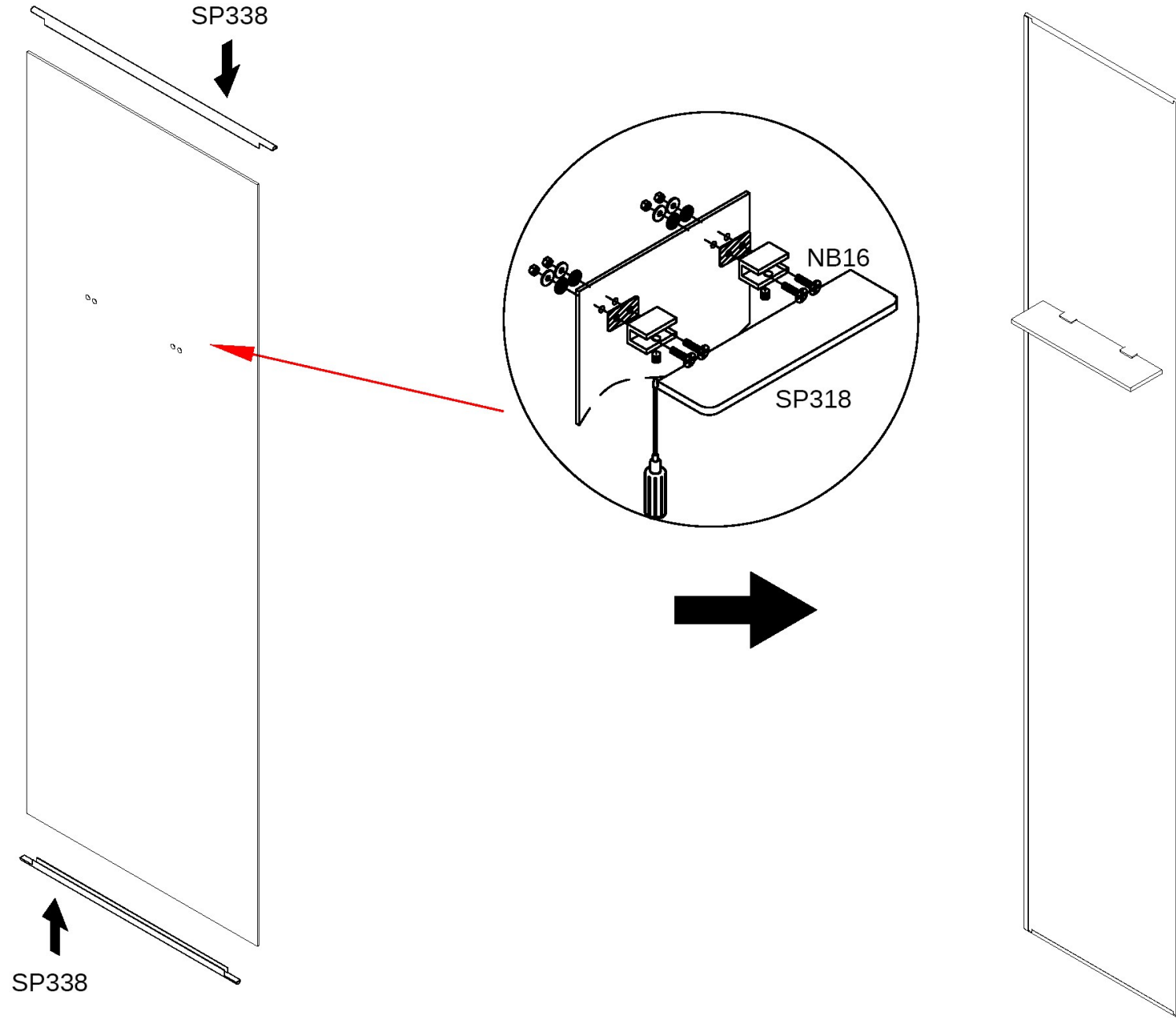
Apply RubberGum to raised sections of the tray and remove backing paper.

The image shows the product packaging for Insignia RubberGum. The packaging is a black box with the brand name 'Insignia' and the product name 'RubberGum Rubber Adhesive Firing Seal'. Below the name, it says 'Peel... Stick... Trim... Done!' and 'Specialised firing seal for shower applications. Works against most other trays.' To the right of the box is a roll of the white, adhesive sealant.

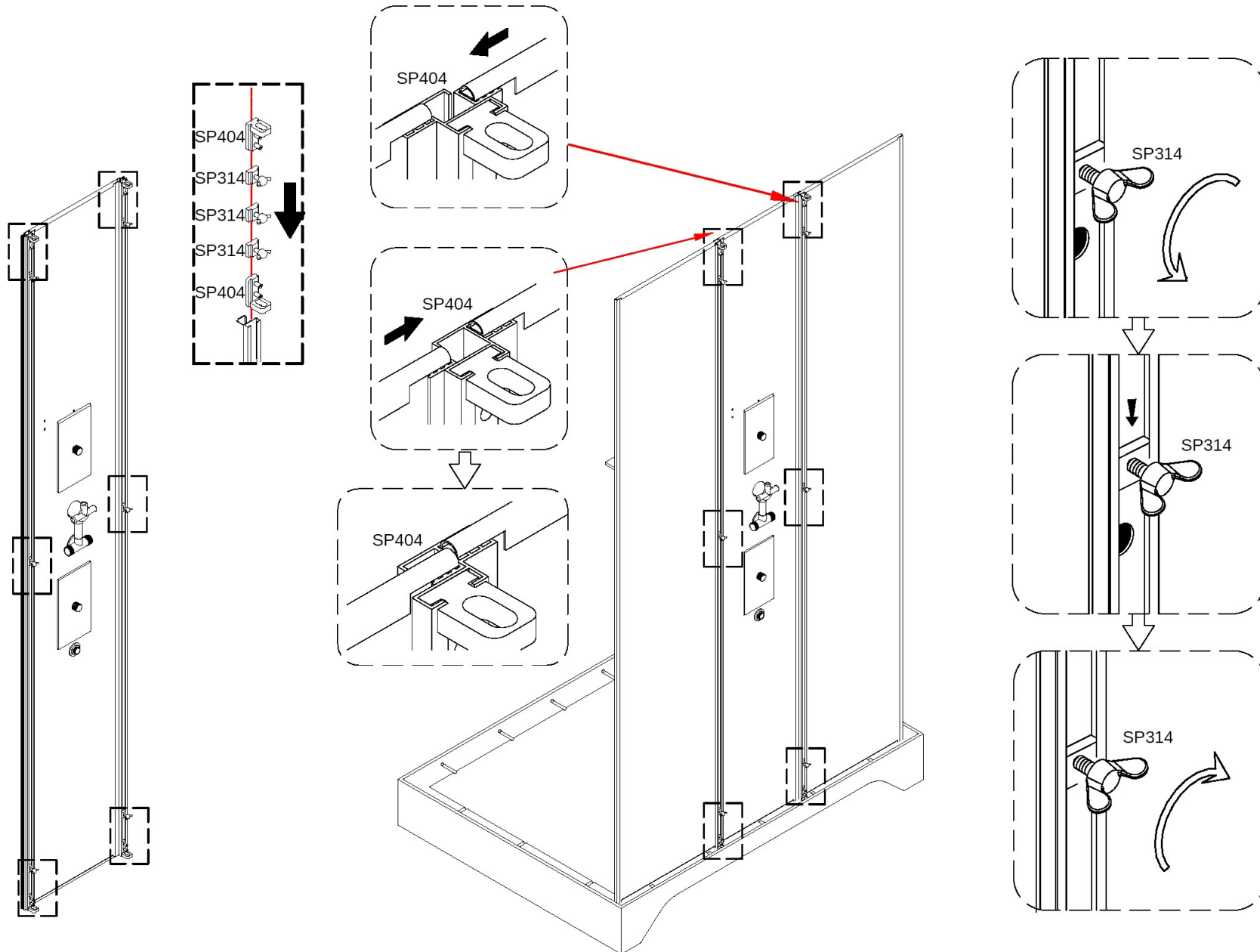
Step 3 — Installing the Water Valve and Hand Shower Holder



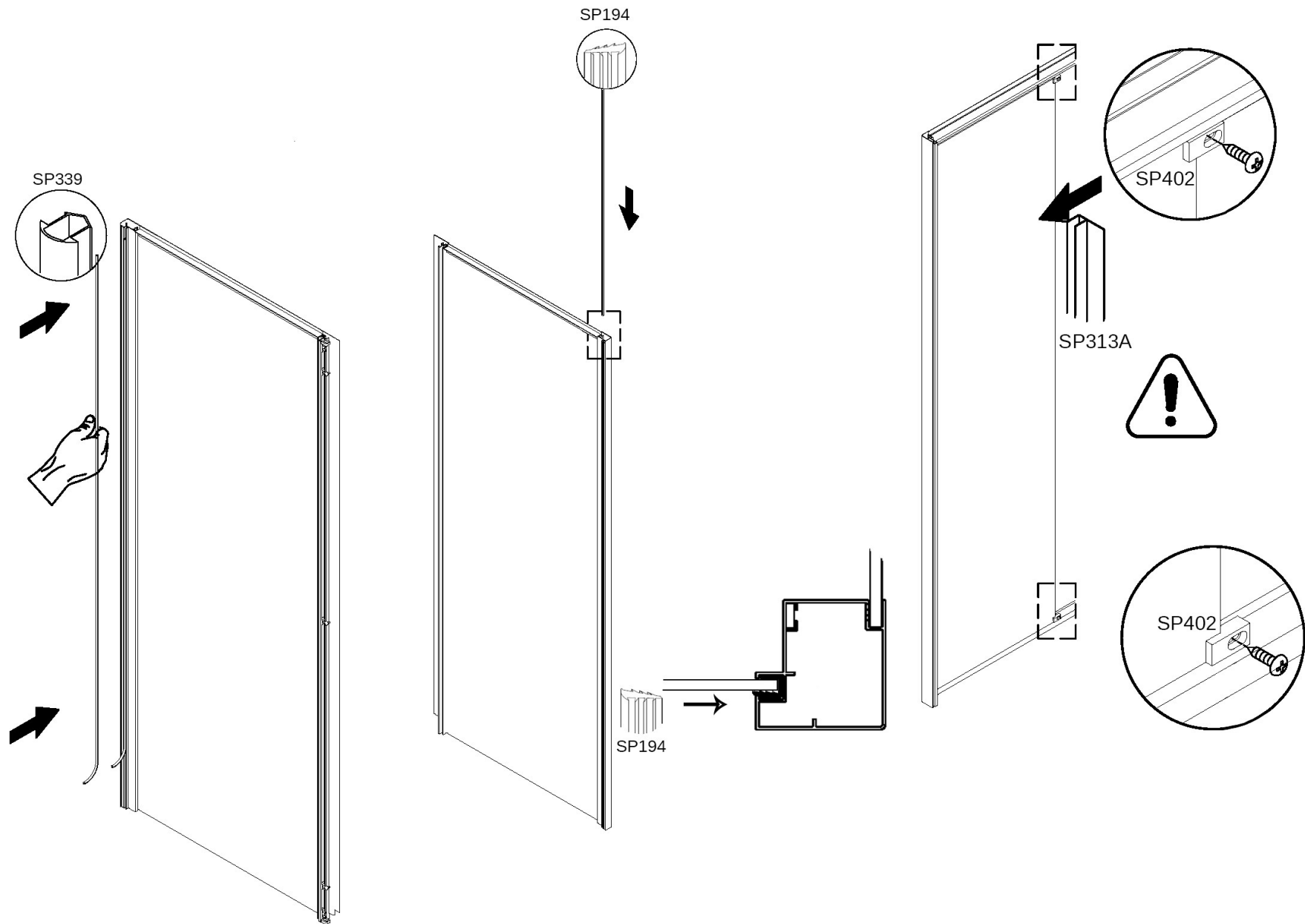
Step 3 — Installing the Glass Shelf and Back Panel Seals



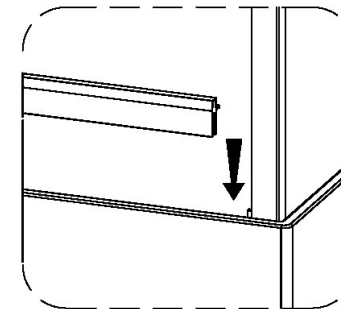
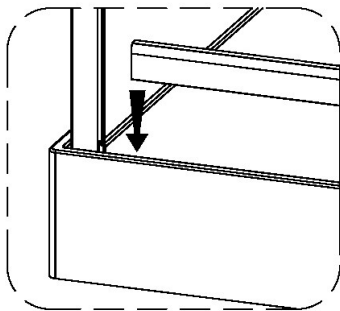
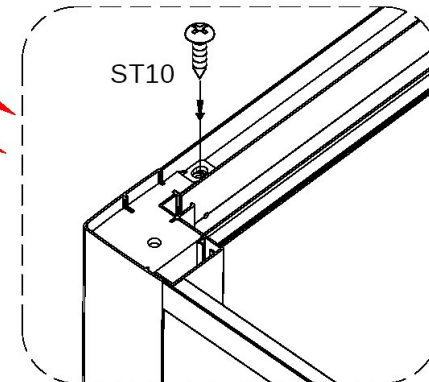
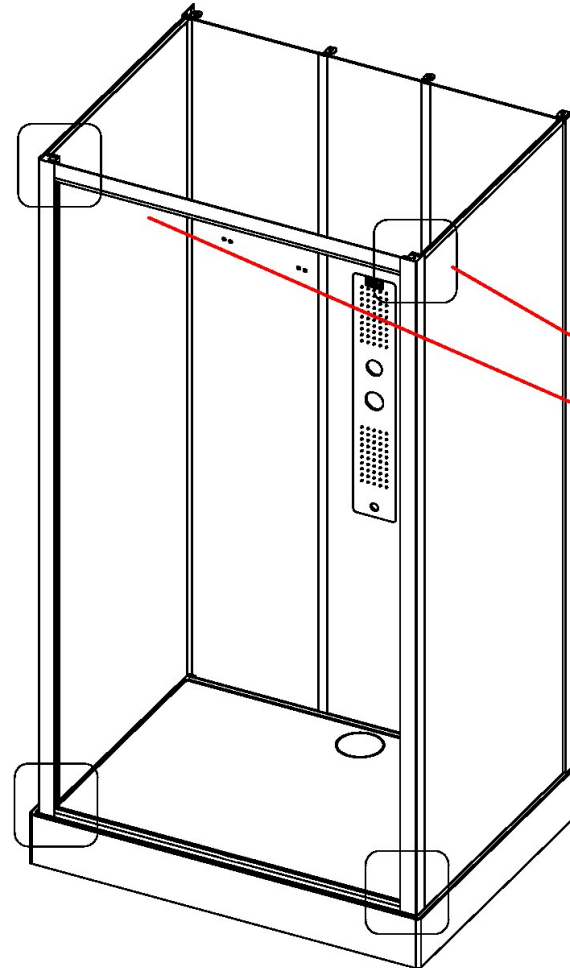
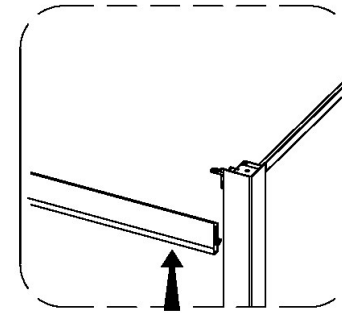
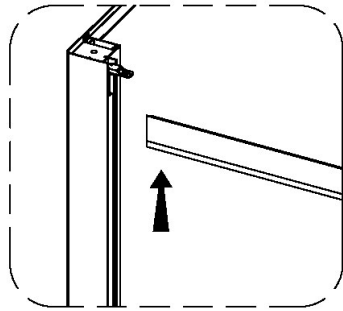
Step 4 — Installing the Back Panels



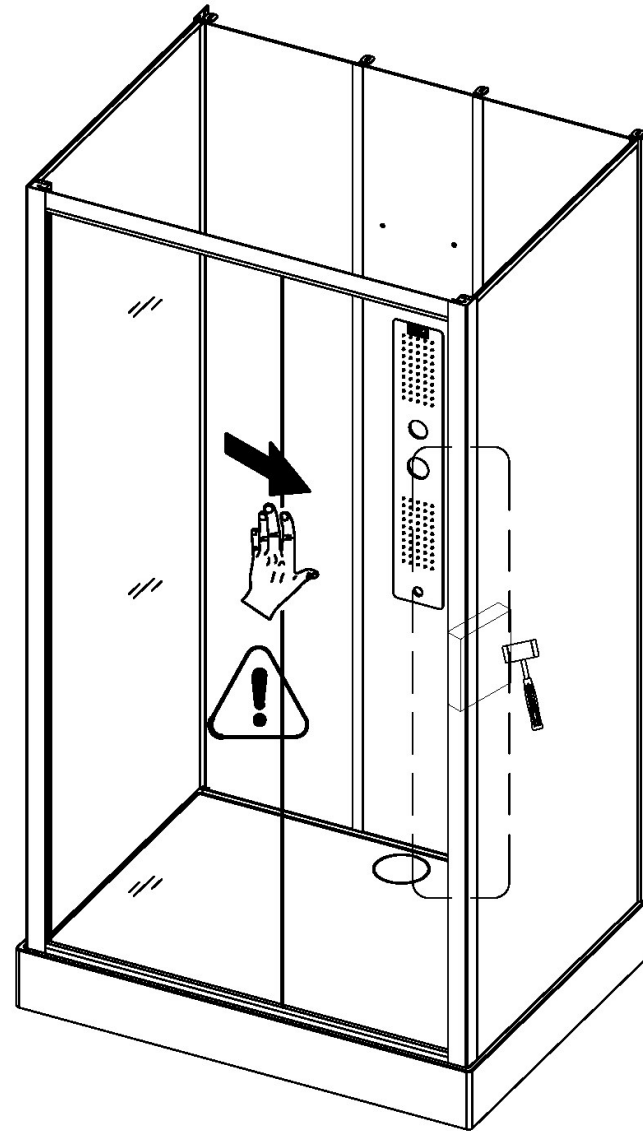
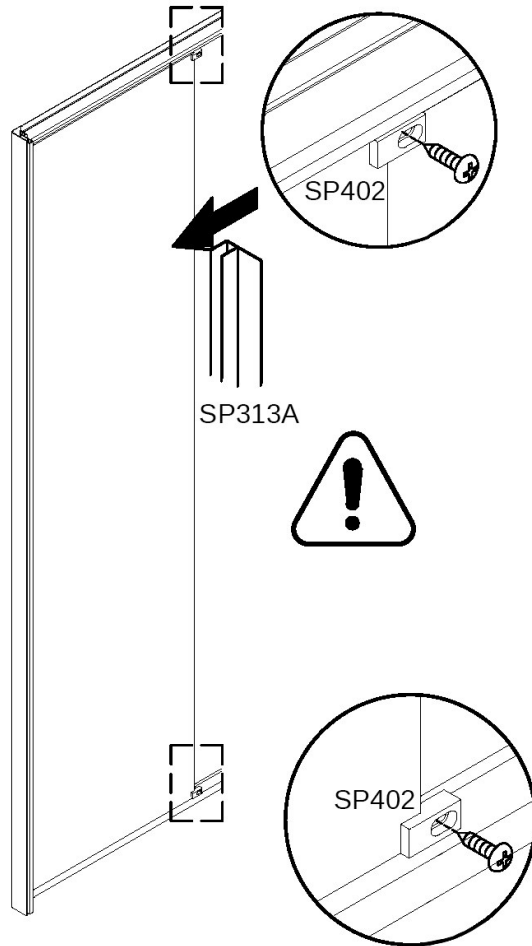
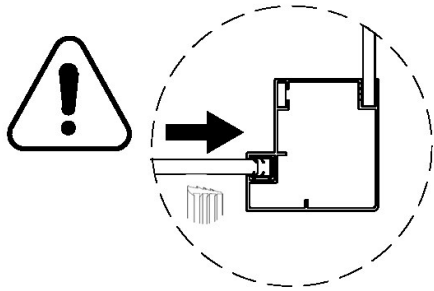
Step 5 — Side panel Installation



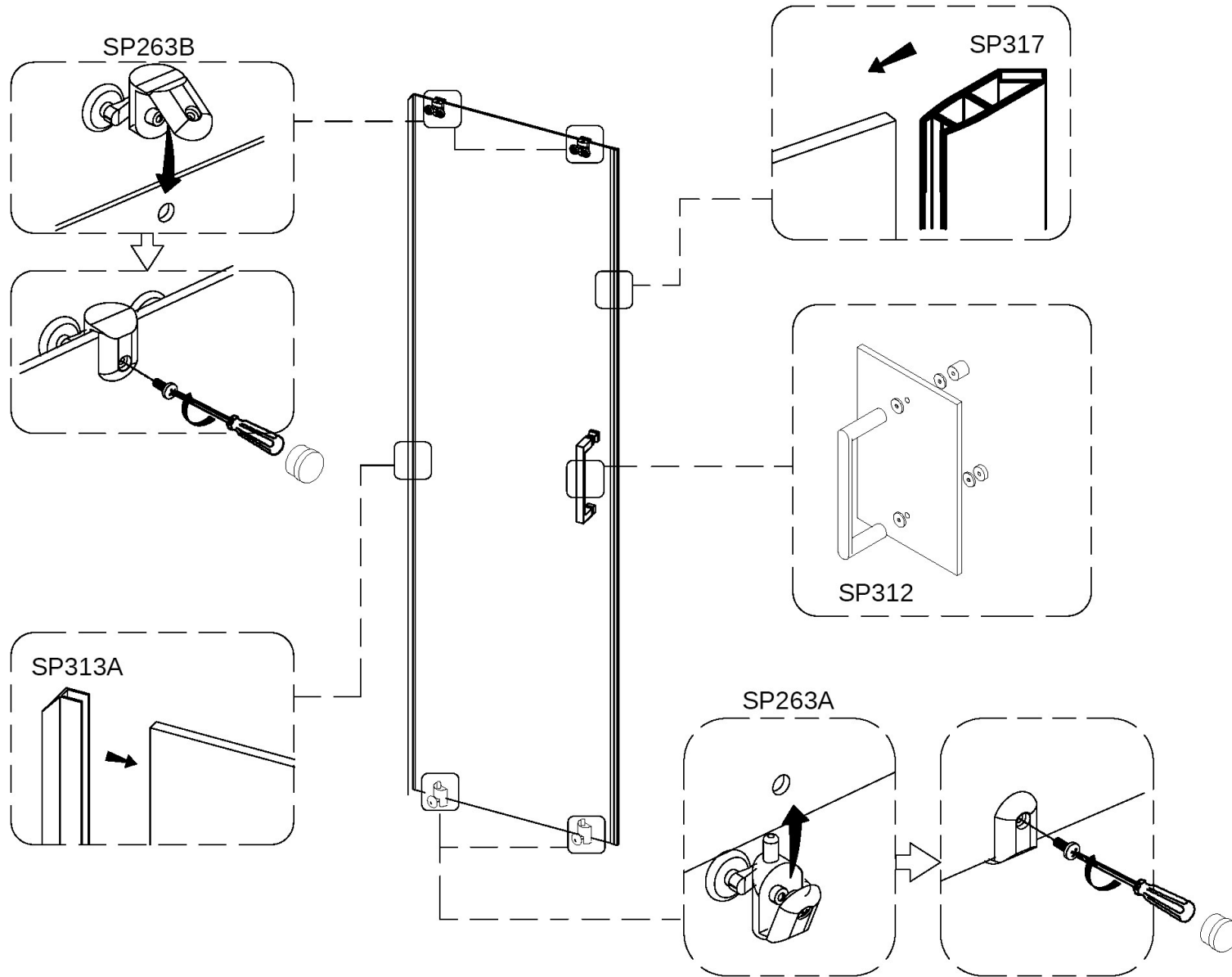
Step 6 — Installing the Top & Bottom Rails



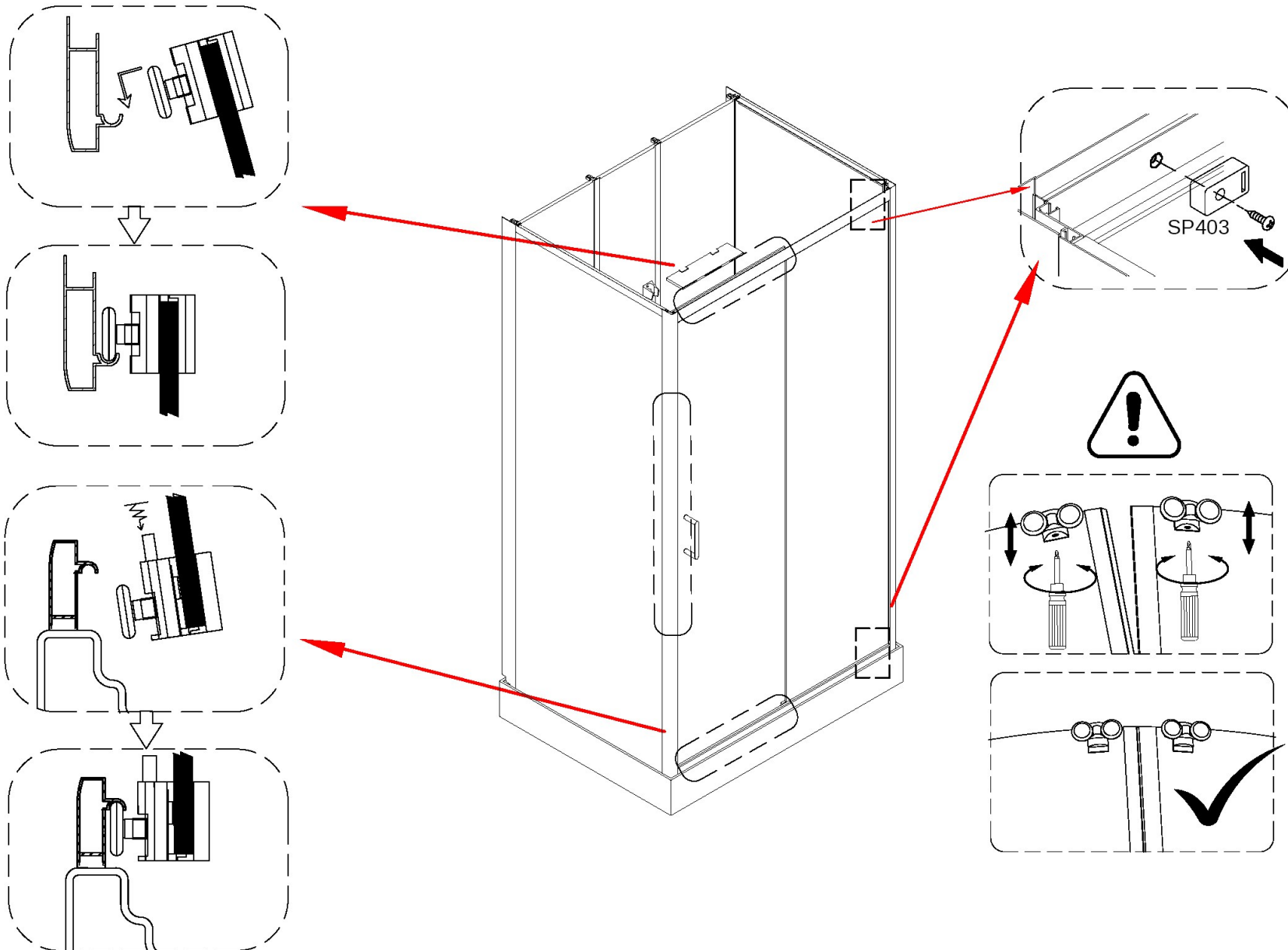
Step 7 — Installing the Front Fixed Glass



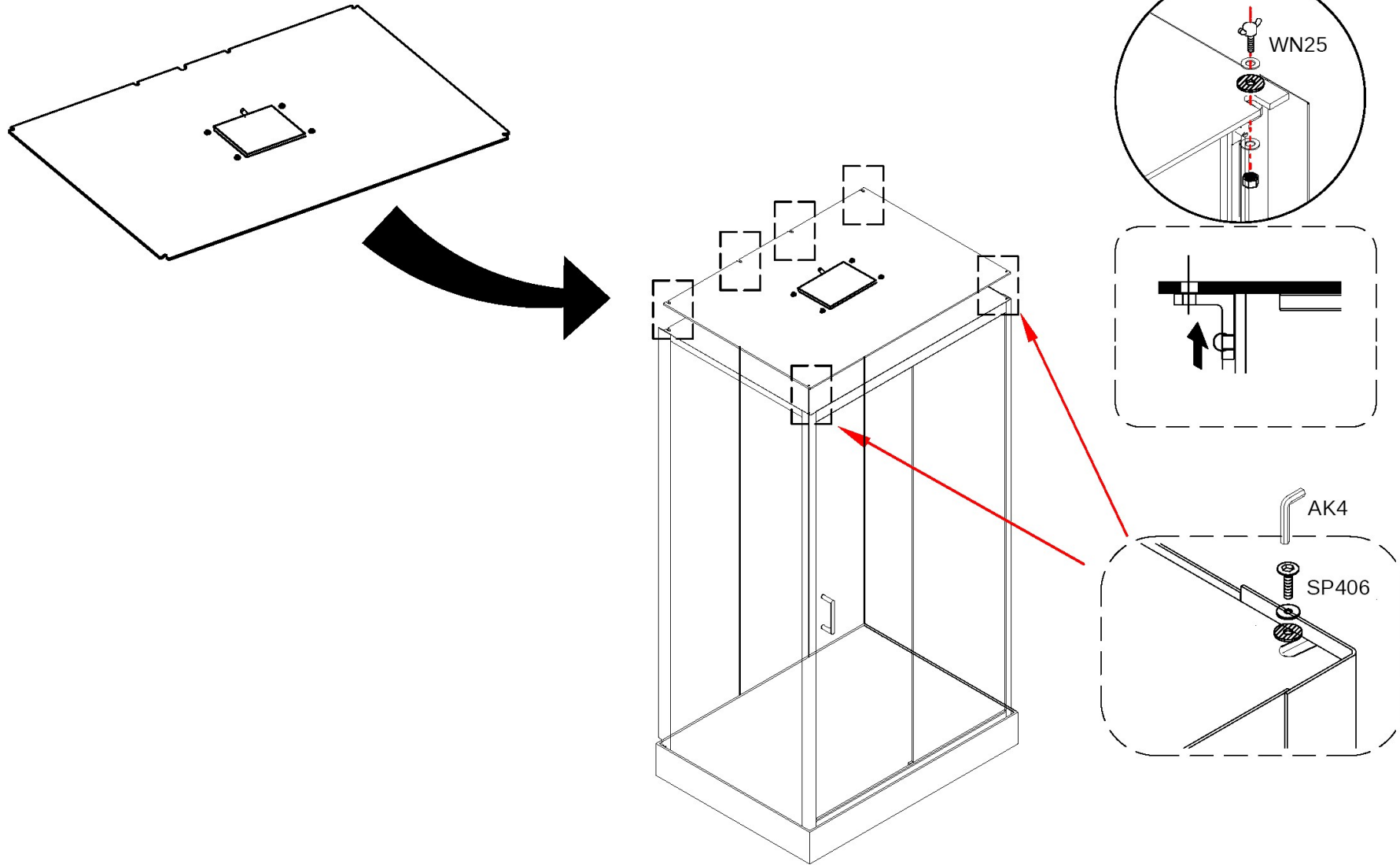
Step 8 — Installing the Door Wheels, Seals and Handles



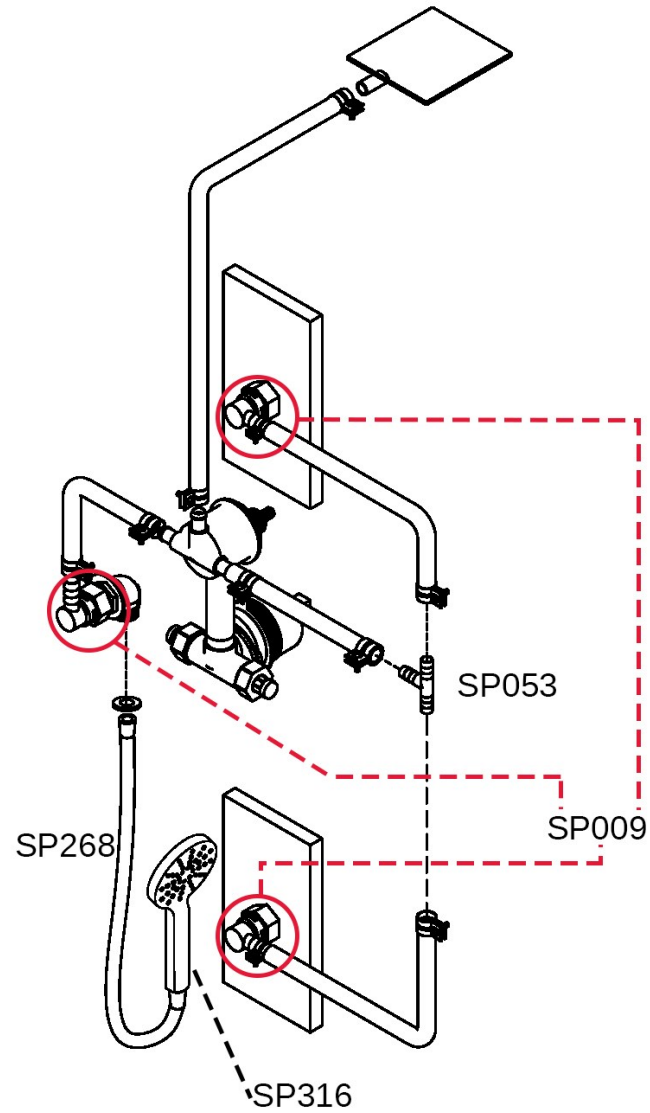
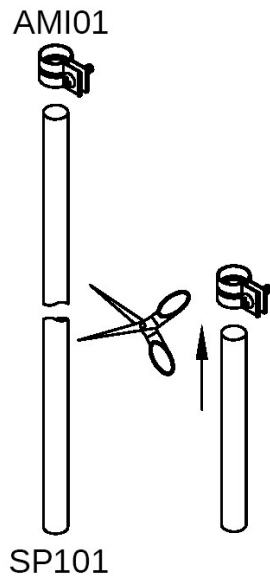
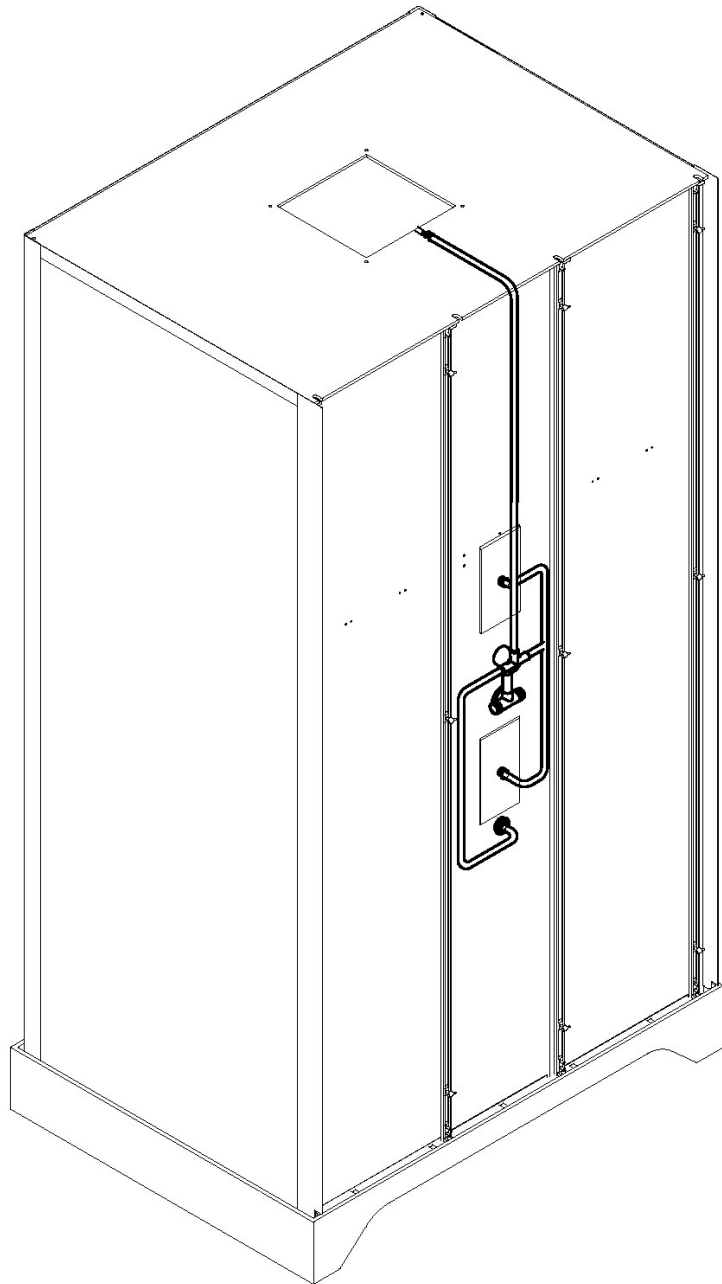
Step 9 — Installing the Doors



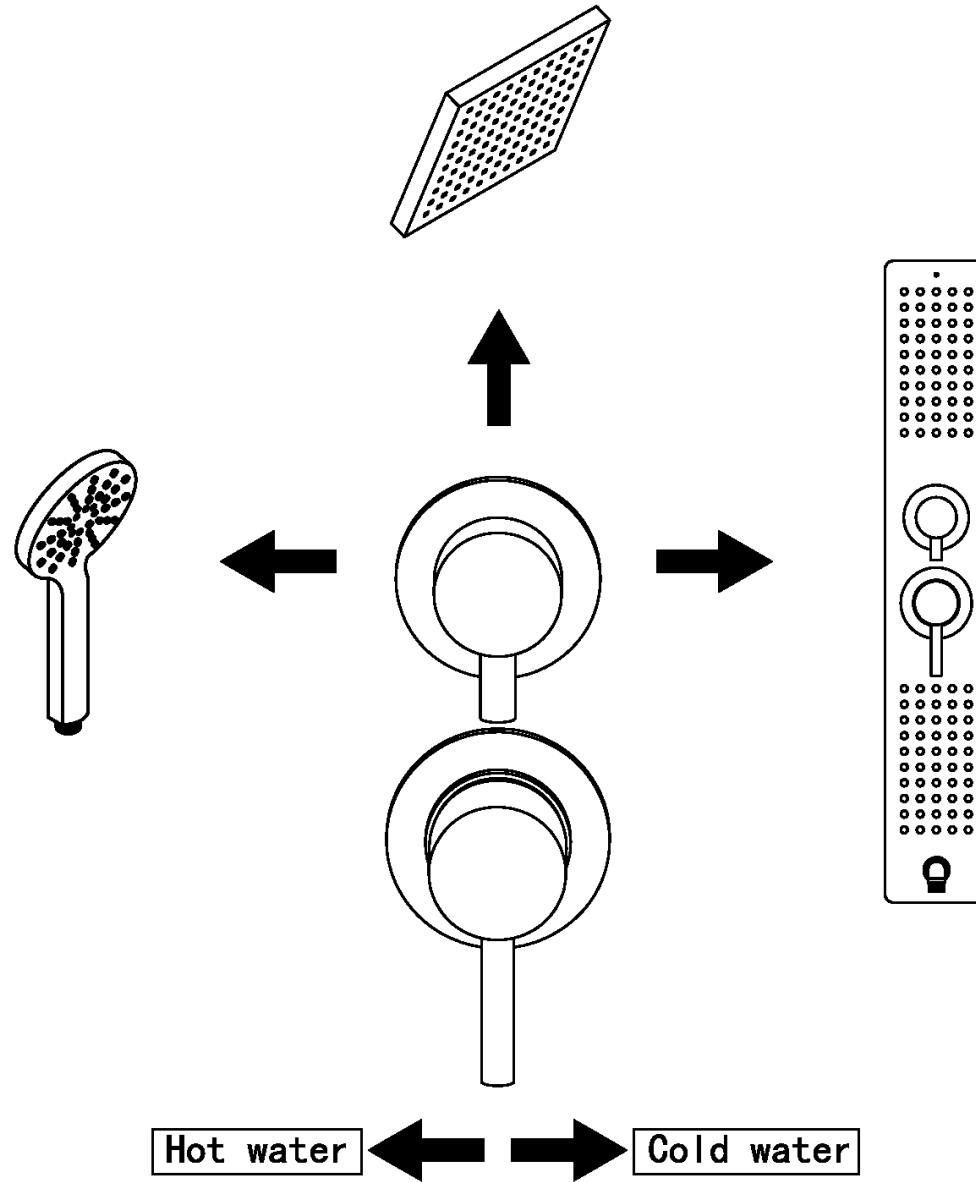
Step 10 — Installing the Roof



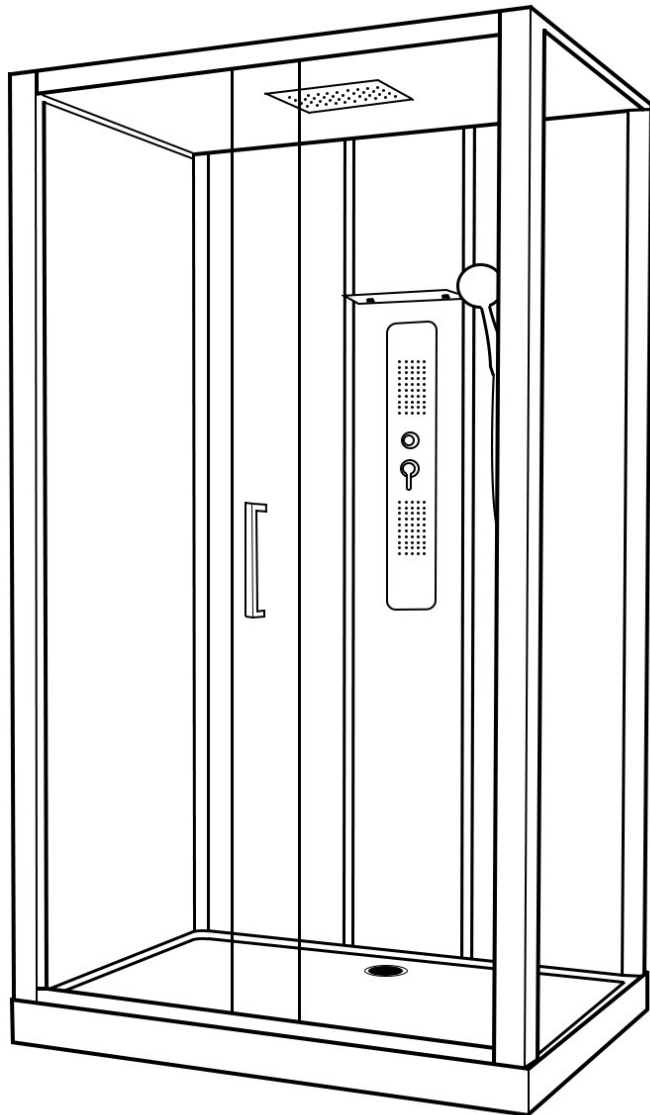
Step 11 — Installing the Water Connections



Step 11 — Installing the Water Connections continued...



Signing off your shower



Now your shower is assembled, there is just few steps before you can sign the shower off.

1. Please ensure ALL the connections are watertight including waste, pre-fitted body jets as clips are only lightly tightened in place for transit and can be dislodged, internal and external hoses and steam connections (model dependent)
2. Once you are happy, check the shower functions by switching on the overhead shower and then adjust the selector knob (top knob) to the hand shower and then onto the body jets. Whilst the water is running, check external hoses for any signs or water drips or leaks and tighten accordingly.

Please note, when testing the body jets, water will shoot towards the open doors and the user.

3. Do not aim the hand shower directly at the joints of your shower as this does not fall under “normal showering conditions”. However, due to Insignia’s unique design of the shower tray, water will only leak back in to the tray so you won’t get flooded.
4. Visually check the water flow in to the waste and adjust the feet of the tray accordingly to ensure the direction of the water flows towards to the waste to prevent over puddling (a small amount of puddling is normal).
5. Never use the shower until all checks have been made and the installer is 100% happy in the knowledge no hose leaks are present.
6. Any RubberGum which has squeezed out between the panels and the tray, simply cut off using a sharp, clean knife blade.
7. Now push the shower from it’s base into it’s final position. **NEVER PUSH THE GLASS OR FRAME** into its final resting position.

Happy Showering!

Parts List

Part Code	Part Description
SP263A	23mm Monochrome Door Wheels (Spring)
SP263B	23mm Monochrome Door Wheels (Non-Spring)
SP403	Door Stops—Monochrome
SP312	Monochrome Door Handles
SP170	Water Valve - Non-Thermostatic 3 Port 2 Feed (Monochrome)
SP314	Monochrome Screw Fixing block/Wing bolt
SP315	Monochrome Square Monsoon Shower Head 230mm x 230mm
SP316	Monochrome Hand Shower Matte Black
SP317	Matte Black Magnetic Door Seals
SP318	Tinted Glass Shelf
SP319	Shower Waste
SP313A	Rear Door Seal/Fixed Glass Seal
SP009	90 Degree Threaded Elbow Joint
SP300	Waste Hose
SP015	Hand Shower Holder

Part Code	Part Description
SP101	PVC Hose
SP268	Black Shower Hose
AMI01	Jubilee Clip
SP057	90 Degree Chrome Water Outlet
SP404	Monochrome 'L' Bracket Connection
SP402	PRC20 Glass Retaining Clips (Black)
SP053	T-Piece Ribbed Connector
SP194	12mm Fixed Glass Ribbed Seal
SP338	Monochrome Cushioned 'U' Shaped Seal
SP339	Fixed Upright Magnetic Seal - Monochrome Rectangle

Steam Room & Shower Safety Guide

1. Never leave children unattended in the shower or bath.
2. Never bath children (under 12) using whirlpool function if fitted.
3. Regulate the temperature of water before showering.
4. Never allow children to use the steam function. This function is for **ADULTS ONLY**.
5. Always be aware of the steam outlet position. Never use in close proximity to the person using it.
6. Exit the steam room immediately if feeling dizzy, faint or short of breath.
7. Do NOT use the steam room if you're pregnant, have a heart condition, have low or high blood pressure. If you're unsure consult your GP before use.
8. If you have any underlying health conditions which you feel could be aggravated by using a steam room, consult your GP before use.
9. If you begin to have any issues with your health after using a steam room, stop immediately and consult your GP regarding your symptoms before continuing to use.
10. Consult your GP before using the steam room if you're on medication at all, especially with drowsy side effects.
11. Never use this shower if you have been drinking alcohol or under the influence of other substances.
12. Never use with more than one person unless the shower is designed for this.
13. This product is not to be used for washing/bathing animals.
14. Always turn power supply off after use.
15. Always turn water supply off after use.
16. Ensure room is well ventilated after a steam session by using your bathroom extraction fan or opening a window.

WEEE Compliance Statement

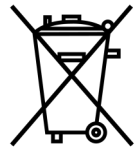
The UK Waste Electrical and Electronic Equipment (WEEE) regulations came into force on 2 January 2007. Under this new legislation, producers of electrical and electronic equipment (EEE) have to fulfil certain obligations.

Under the WEEE directive Insignia is considered the producer of certain products we supply and in line with the demands of the legislation we are pleased to offer the opportunity to return these products to us for treatment and recycling.

Insignia products will generally have an identifying mark and the common crossed out wheelie bin label. We accept returns of all products carrying the Insignia brand. All other products are either considered outside the scope of WEEE or Insignia is not technically the producer of these products. Insignia also accepts historic like-for-like WEEE returns. All WEEE returned to Insignia will be recycled in appropriate treatment and recycling centres in accordance with the legislation. If you wish to return any products to us, please send your item(s) to our head office.

Company Contract No. 326457

WEEE Producer No. CBDU64227



LABELLING

Products labelled with the WEEE symbol (a crossed out “waste bin”) indicate that the final user should not discard this product along with other household waste, but that it must be collected and treated separately.



Returns Address for WEEE

Insignia

9a Deans Road, Old Wolverton, Canon Industrial Park, Milton Keynes, Buckinghamshire, MK12 5NA, UK



EU – Declaration of Performance

Insignia declares that all its products complies with the essential requirements and other relevant provisions of Directive 305/2011/EC. A copy of the Declaration of performance is available from www.insigniarange.co.uk/ce.aspx

Insignia™ is a registered trademark of Maclean International Ltd, 9a Deans Road, Old Wolverton, Canon Industrial Park, Milton Keynes, Buckinghamshire, MK12 5NA, UK

All images are subject to copyright. Images may not be used in any way shape or form with out written permission from Maclean International Ltd. Images are NOT permitted to be saved, printed or uploaded. Violation of copyright laws are punishable by law.

All images are registered with
ImageTraker

Insignia™ is a registered trademark of Maclean International Ltd

All images are subject to copyright. Images may not be used in any way shape or form with out written permission from Maclean International Ltd. Images are NOT permitted to be saved, printed or uploaded. Violation of copyright laws are punishable by law.