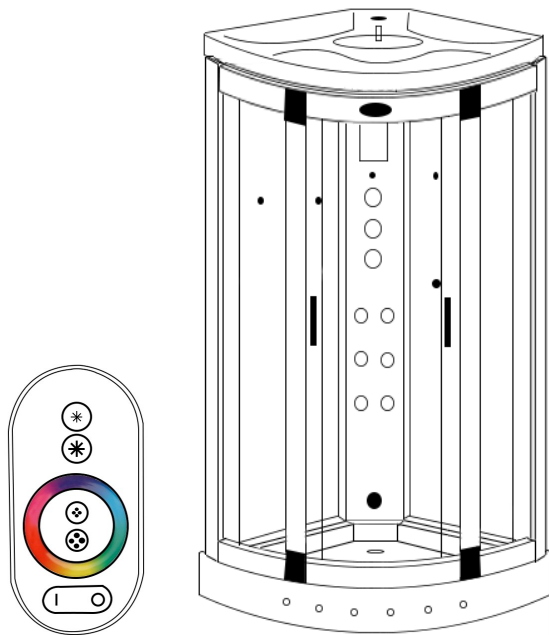




www.insigniarange.co.uk

# INSTALLATION MANUAL

## LITE



30 Day Technical Support: 01908 226545

(NOTE: This service is only available to customers from the day of delivery—  
Please have your order number and postcode to hand before calling)

Replacements Parts: inside of your warranty contact:  
[www.insigniarange.co.uk/customerService.aspx](http://www.insigniarange.co.uk/customerService.aspx)

Spares/Replacements Parts: outside of your warranty  
contact 0844 800 3069

ATTENTION INSTALLERS:

These instructions must be  
left with the customer

WARRANTY REG NO: \_\_\_\_\_

To claim your full 5 year warranty, register your shower within 90 days of delivery at: [www.insigniarange.co.uk/warrantyreg.aspx](http://www.insigniarange.co.uk/warrantyreg.aspx). Standard 12 month warranty applies if outside this time period.

# Contents

<b>Introduction</b>	3
Electrical Requirements	5
<b>What's In The Boxes?</b>	6
Screw Pack Contents	7
<b>Plumbing Requirements</b>	8
Starting The Installation	9
<b>Electric Box Connections</b>	16
Backwall LED Light Connections	17
<b>Steam Generator Connections</b>	19
Sealing and Water Testing	20
<b>MK117U Control Panel Instructions</b>	22
LED Remote Control Instructions	23
<b>Help Book Information</b>	24
Parts List	25



Thank you for your recent purchase of an Insignia shower. Please read this booklet with great care to ensure you get the best out of your build and have a shower that will last for many years to come!

Like everything, in order to obtain a first class product that will serve you well for many years, the effort and correctness put into the assembly will reflect in the quality of your finish.

**OUR BADGE RATING IN TERMS OF DIFFICULTY OF ASSEMBLY IS BASED ON CLIENT FEEDBACK**

1 Badge = Very easy

2 Badges = Easy

3 Badges = Moderate

4 Badges = Harder than average

5 Badges = Professional skills required

This shower is rated 3 Badges



### **ASSEMBLY AND SIMPLE PLUMBING**

THIS PRODUCT BUILD IS RATED SUITABLE FOR DIY PURPOSES PROVIDING THE CUSTOMER IS OF ABOVE AVERAGE SKILLS AND FEELS CONFIDENT IN THEIR ABILITY. ONLY YOU THE CUSTOMER WILL KNOW THIS SO BEFORE ANY ATTEMPT IS MADE TO ASSEMBLY READ THROUGH THE FOLLOWING PAGES IN DETAIL THEN DECIDE. IF YOU HAVE ANY DOUBT USE THE SERVICES OF A PROFESSIONAL. IN PICKING SUCH, ALLOW THEM TO DECIDE IF THEY ARE CAPABLE OF BUILD BY FIRST SHOWING THESE INSTRUCTIONS TO THEM. ALWAYS GET THREE QUOTES.

REMEMBER THE BEST IS NOT ALWAYS THE CHEAPEST!

REMEMBER PLUMBERS PLUMB! 90% OF THIS JOB IS NOT PLUMBING!

**DUE TO THE NATURE OF THIS PRODUCT WE HIGHLY ADVISE THE PURCHASE AND FITTING OF A WATER SOFTENER**

### **ELECTRICAL CONNECTION TO HOUSE MAINS**

WHEN YOUR ITEM IS ASSEMBLED ALWAYS USE THE SERVICES OF A FULLY QUALIFIED ELECTRICAL COMPANY TO COMPLETE CONNECTION FROM SHOWER TO HOUSE SUPPLY. LAWS DEMAND IN MANY CASES YOU DO THIS AND YOUR WARRANTY IS VOID REGARDS ELECTRICAL ITEMS IF THIS IS NOT UNDERTAKEN.

YOURS AND OTHERS SAFETY IS PARAMOUNT. NEVER ATTEMPT THIS YOURSELF.

### **REMEMBER:**

These showers are designed to be free standing and movable from their location should you have need to replace anything. ALWAYS USE Flexible braided water inlet pipes at least a metre long (not central heating plastic type! )

from house supply to the shower and again flexible waste pipe to join to your house waste. NEVER fix with rigid pipes, never fix the unit to the wall.

**DURING BUILD, LIKE ALL SHOWERS CORRECT SEALING IS IMPERATIVE.**

**ALWAYS FIT "EASY TO GET TO TAP VALVES" ON BOTH HOT AND COLD WATER. THE SAME AS A DISHWASHER OR WASHING MACHINE THIS PRODUCT SHOULD BE ISOLATED WHEN NOT IN USE.**

**YOU WILL NEED****TOTAL ELECTRICAL REQUIREMENTS**

Voltage Rating	220 -240AC
Frequency Rating	50HZ
Power Rating	3.0KW

Your electrical contractor should understand **ALL** legal requirements of connection before undertaking any work or installation.

**UNDER NO CIRCUMSTANCES UNDERTAKE THIS YOURSELF!!!**

Note for electrician. This product comes with 13 amp plug(s) fitted with an RCD unit. We leave it this way for you to connect this your own way due to continued additions to current regulations. As at October 2010 we offered two methods.

- 1) Connect within current laws and IP directives using plug and RCD provided with steam version or supply one for non steam version
- 2) (Preferred) Wire into isolated fused feed connecting directly to the house consumer/service box. Remove the fitted plug and ensure the Consumer unit has capabilities to replace RCD feature if RCD is removed.

Always use protection against electrical surge. Your shower should be treated the same as a home computer. A surge protector should eradicate the possibility of either the transformer or computer control being burnt out. Please note earth is required and found on chassis of shower tray. A further earth is required from Steam Generator unit. Each earth must ground through power supply line.

**Requirements**

Scissors



Stanley Blade



Silicone Gun



Spirit Level



Tape Measure



Philips Screwdriver



Electric Drill

Whilst the next steps show you how to assemble your shower we want to make sure you have a correct build to ensure you get a trouble free shower. Therefore our advice is to follow the instructions and perform a dry run to ensure you are confident with the build and you understand fully how the unit is assembled. When we use the word "DRY RUN" this means you do not silicone anything, just simply construct the shower, align, drill and screw everything together. Once you are happy with the build take the unit apart and carry out the final fix.

## What's In The Boxes?

### Tray Box

1x Tray  
1x Roof  
2x Curved Rails

### Glass Room

2x Door seals  
2x Glass doors  
2x fixed glass

### Column

1x Complete Column

### Backwalls

1x Left Panel Backwall  
1x Right Panel Backwall

1 x Touch Series remote control & Led Controller (batteries not included)

**In addition to above you will have all the required internal accessories to complete the shower**

## Insignia Screw Pack

Product Code	Description	Quantity
SP097	Door Handles	2
Code not assigned	Chrome Door Wheels	8
ST20	20mm Screws	20
ST35	35mm Screws	10
ST14	14mm Screws	6
ST25	25mm Screws	10
SW9	Small Washers	20
DB9	Drill Piece	1

**Note: In some cases you may have more screws than needed, this is done so you have spares!**

### VERY IMPORTANT

Have you got everything? If not please contact the Insignia Support Line on 01908 226545. Remember **NEVER** book your tradesman until everything has arrived, been checked and is present. No replacement/missing parts can be obtained free of charge during or after the build. Any claims can only be within the timescale permitted (48 hours after delivery) and always **BEFORE** build.

### Pressure Requirements from your house supply

We recommend a bar pressure between 2.5 and 3.4 BAR. If you have a combi boiler system no problem should be experienced. If you have a gravity feed older type installation (hot water tank type usually less than 1 bar) you will almost certainly need a pump. We cannot advise on which type of pump is used, location or design because all house plumbing layouts vary. This is a job for your installer/plumber. The end delivery however must fall within the scope above.

### Debit Requirements

You will need the debit capabilities of at least 10 litres per minute. Again an average combi boiler will supply this but please check if you have a gravity feed system.

**Important Note** Do not exceed 3.4 BAR pressure under any circumstances. Warranty is void if so as damage will occur. If you have a combi supply, please use a pressure reducing valve if required to lower the BAR pressure to the shower.

Please Remember that this product is free standing and is designed to be pulled away from the wall. The water supply and waste require flexible pipes. If you purchased the fitting kit with this shower you will have the required fittings. The water supply pipes need to be at least 1 metre in length and must be that of a flexi braided type..

### **DO NOT OVERTIGHTEN IT CAN CAUSE THE CONNECTION TO POP AFTER A FEW WEEKS OF USE**

**Please note if a shower pump is used via gravity system we recommend a separate cold feed bypassing pump direct to generator to avoid damage to the generator.**

Further to this as you would with a washing machine or dishwasher, it is highly recommended that accessible water valve taps are installed to turn off the shower when not in use. This will avoid any possible flooding due to a burst pipe or connection failure in the future.

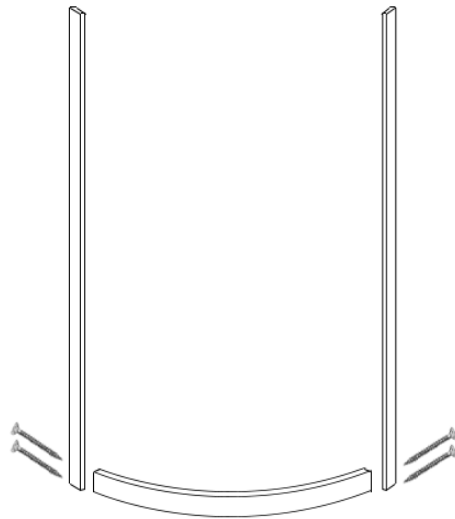
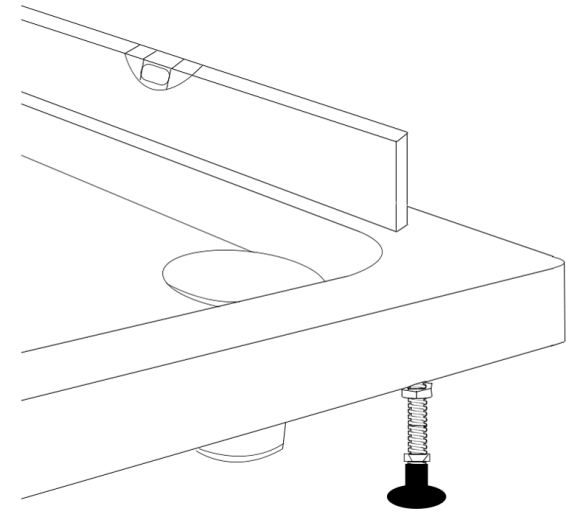


## TO START

Make sure you have a clear space, remember when finished and in place you need access to check your build and able to pull the shower tray out for servicing or should you have the need to replace anything!

Take the shower tray and remove all the protective wrapping and fit the waste. If you purchased the fitting kit it is possible this may have already been fitted in the tray hole yet please note this is only for transportation reasons therefore you will still need to ensure the correct sealing and alignment is carried out. In the side of the waste supplied in the optional fitting kit you will notice a spigot not seen on an ordinary waste. In most cases this is blanked yet should you have a steam version you need to gently drill this out as this item is for the steam generator drainage and will be connected in the instructions later.

Now please level the tray by firstly placing the tray in its final location and then using a spirit level, adjust the tray feet accordingly. Once you are happy with the levelling of the tray, you can pull it out to begin the main construction.



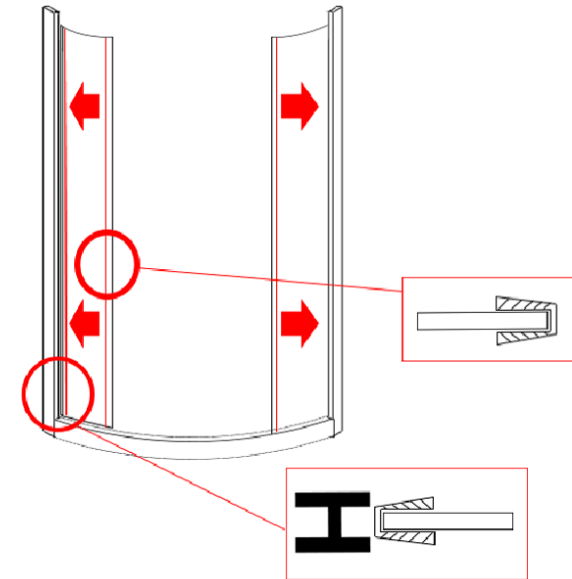
### Step 1

Attach the uprights to the bottom curved rail using the **ST35** screws  
(Thinner rail without Insignia logo on)

**Step 2**

Push the “U Shape” glass seal onto the glass panel prior to insertion into the frames. Please ensure the thin seal is on the entrance side of the panels with the thicker to the rear side.

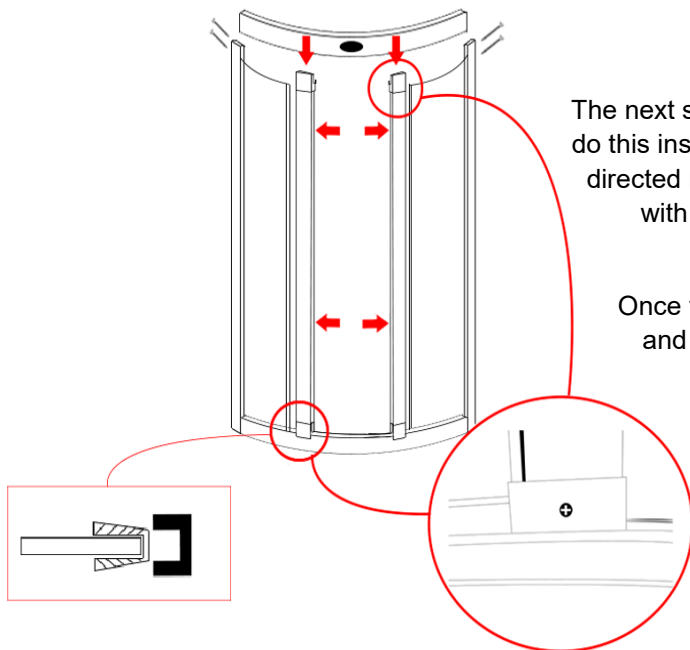
The next step is to attach both front fixed glass panels. In order to do this take the glass panel and offer it up to the upright as shown by the arrows.



**Step 3**

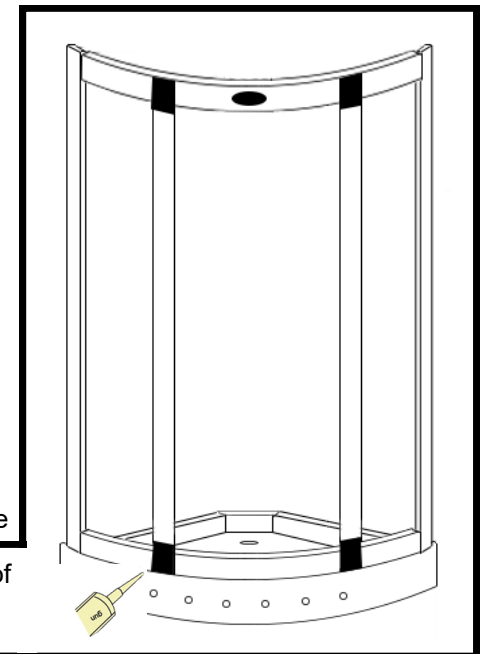
The next step is to attach both front uprights and the top rail. In order to do this insert the front uprights over the glass seal as push on tightly as directed by the arrows in the image. Now attach the top rail (wide rail with logo) and then screw into place using the **ST35** screws

Once the top rail is in place, secure the front uprights to the top and bottom rails (from inside the cabin) using ST14 screws



Run a bead of silicone under the bottom curved frame

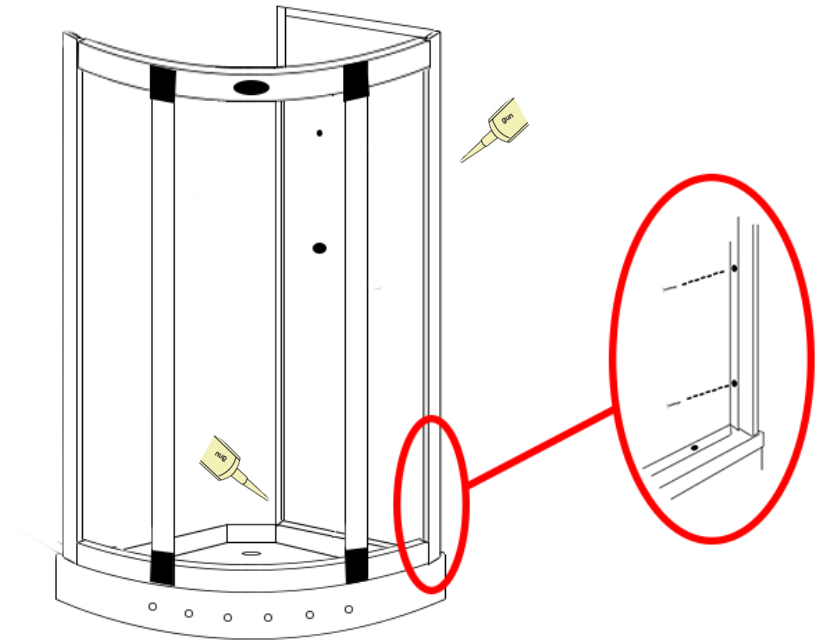
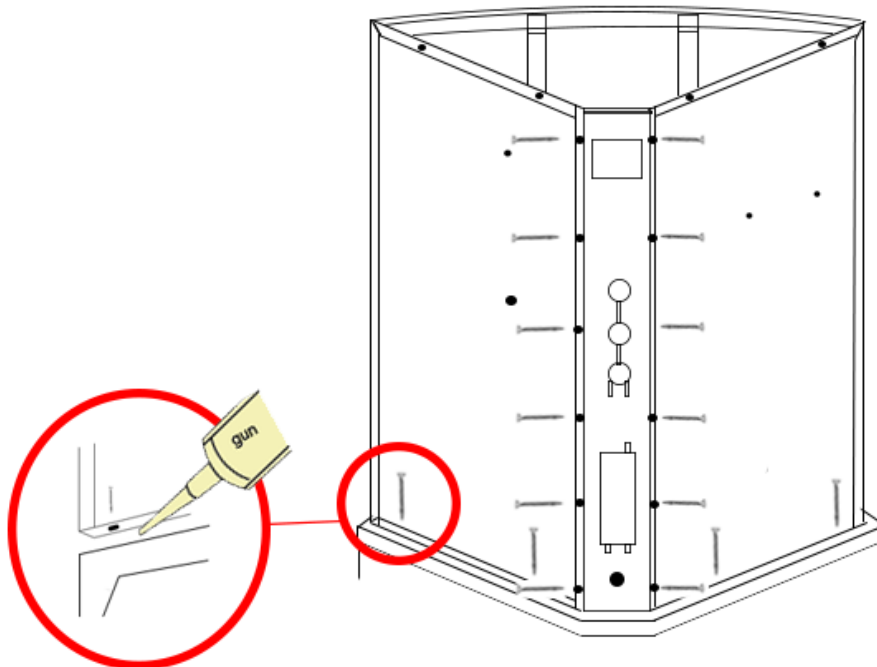
Now place your completed front frame on the front of the shower tray as per the image on the right



#### Step 4

Now taking the back panel market “Right” silicone both sides and the bottom and offer it up to the front frame where it meets the lip. Using **ST20** Screws and **SW9** Washers attach securely.

**NOTE: If using a power screwdriver be careful to not catch the chuck on the back wall as this will cause the film to scratch up.**



#### Step 5

Following the same procedure as the right panel, now insert and attach the “Left panel.

Next install the main shower column using the **ST20** screws and **SW9** Washers as per the image.

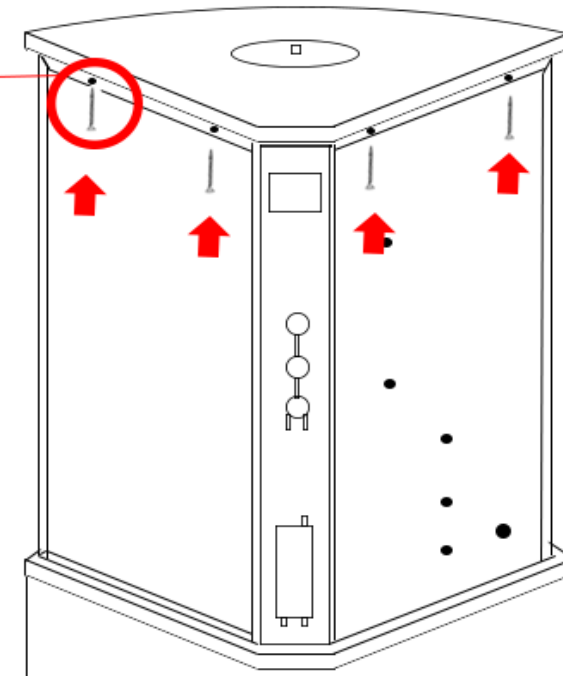
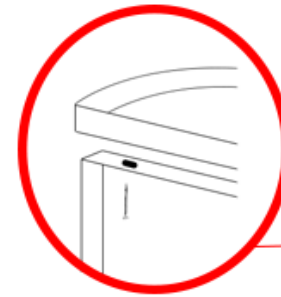
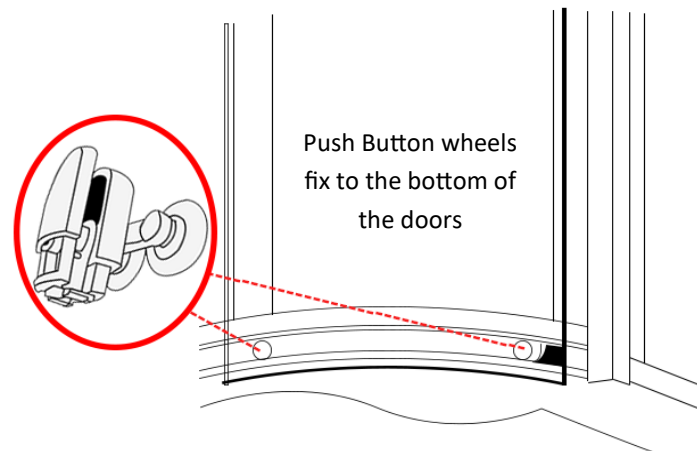
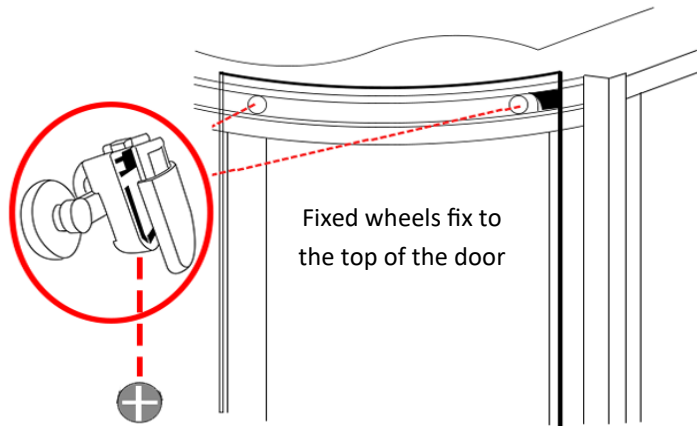
Ensure the column sits inside the shower where the angled corners meet the back panel edge.

(please note, if your column has a rubber seal at the bottom , take the rubber off and apply silicone inside the rubber and replace)

**Step 6**

Align the roof with your shower walls and using the **ST25** screws fix the back walls to the roof by screwing upwards from the rear of the shower.

NOTE: If a small gap exists silicone seal later

**Step 7**

Fit the adjustable wheels to the top and bottom of the glass doors and ensure the wheels are facing towards the rail. To fit the wheels slide up the chrome rear plate to expose the screw. Remove this and place the wheel fitting over the glass. Next re-attach the screw and replace the chrome cover. Do this for all 4 wheels on both doors. Now hang the top wheels on to the top inner curved rail.

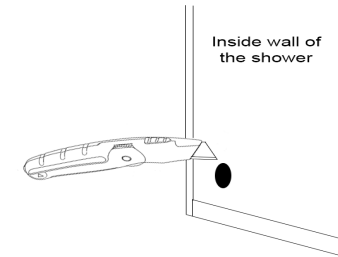
Now on the bottom wheels push the button to lower the wheel for ease of installation and push the wheel into the bottom curve rail. Once you are happy that the wheel is in the track, depress the button and allow the wheel to enter therefore ensuring a secure a tight fit. Next adjust the top wheels by turning the screw clockwise which in turn will pull the wheels towards the track ensuring a secure a tight fit and allow you to align the door to the other door.

Now grease the track to ensure a smooth and long lasting operation  
(not supplied)

# Accessory Installation

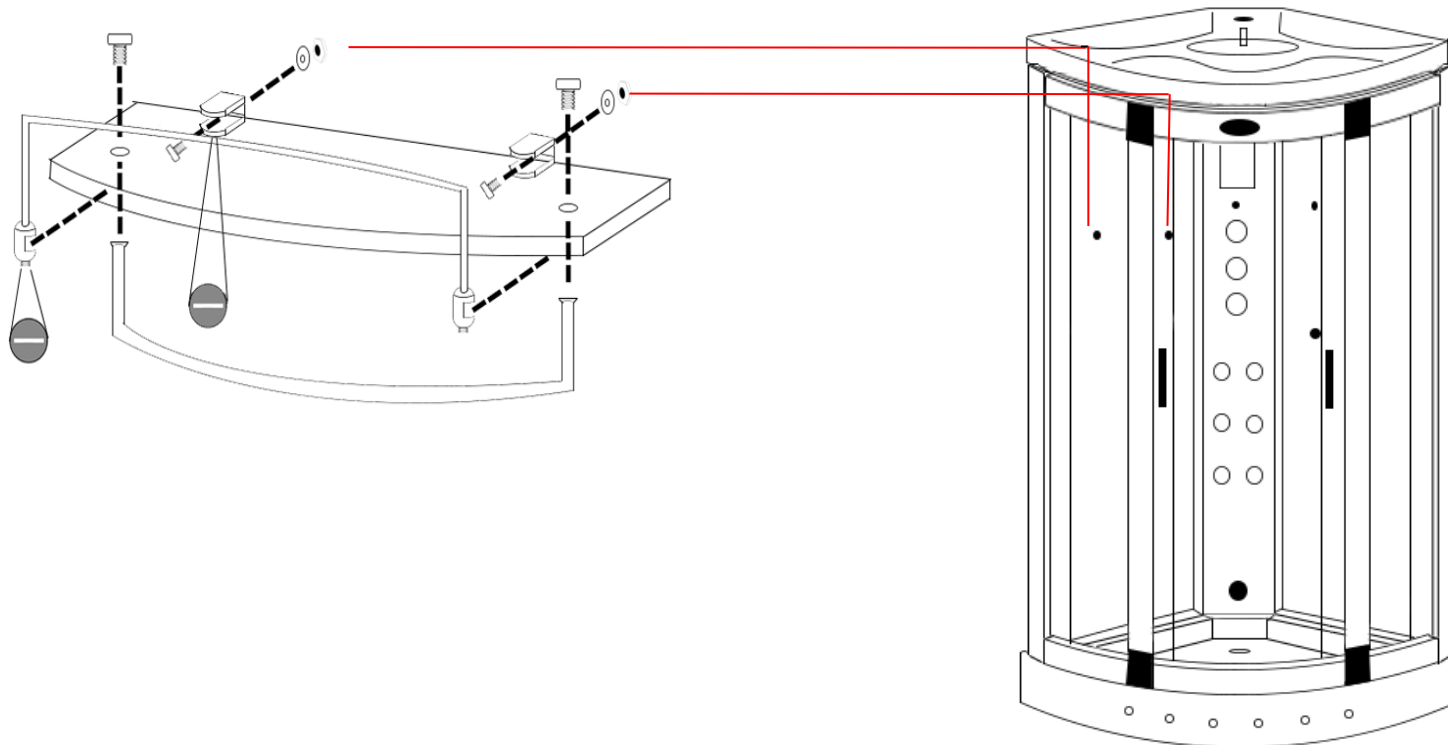
## Please Note

Ensure all grey backing film on the rear of the glass panels are pierced through the existing glass holes with a knife to provide an efficient smooth fitting and location of the accessories. We recommend using a screwdriver on the smaller holes.



## Shelf

Fix the chrome floating shelf brackets to your glass back panel by using the provided screws. Now attach the chrome tubed bars to your glass shelf as illustrated in the below image. Next slide the shelf into your shelf brackets and secure by tightening the grub screw situated on the bottom of the bracket.



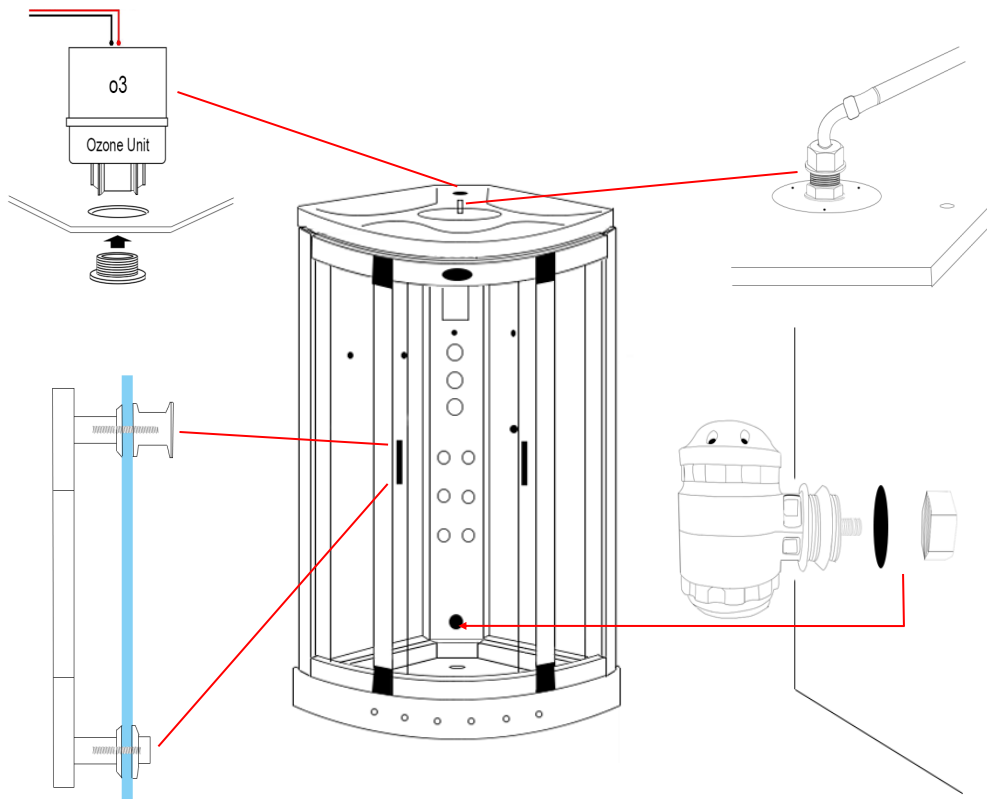
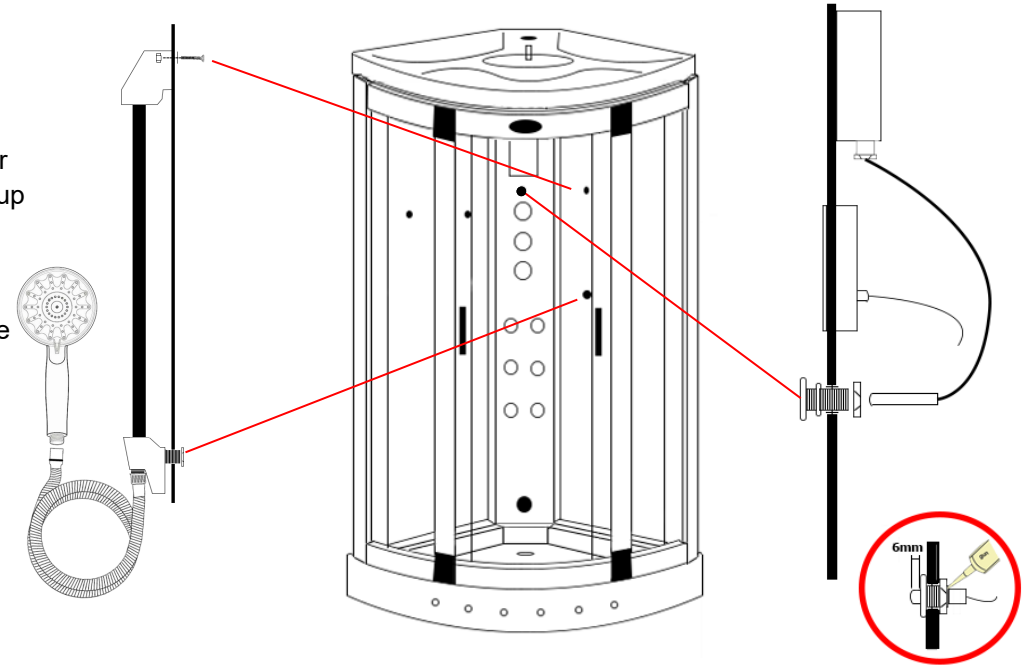
### Hand Shower

Attach the chrome riser bar to the glass wall ensuring the water inlet is inserted through the lower large hole and hand tightened from the rear side.

Now tighten the chrome shower holder ensuring that this will take the hand shower itself without falling (please note over tightening will prevent the holder from sliding up and down)

### Thermostatic Probe

Insert the probe into the hole situated below the control panel roughly 6mm into the cabin and run clear silicone around the rear side of the probe



### Ozone (o3)

Unscrew the chrome pepper pot end and drop the white box upside down into the rear hole as shown in the image. Now from the inside of the shower re-attach the chrome pepper pot end and tighten.

### Monsoon Head

Attach the grey hose from your valve to the inner black tube using PTFE tape (please note this only needs to be hand tight. Over tightening will snap/damage the inner black tube)

### Handle

Ensuring that the inner thread is protruding out from the handle far enough, place the handle on the outside of the door and secure by tightening the inner chrome knob to the protruding inner thread.

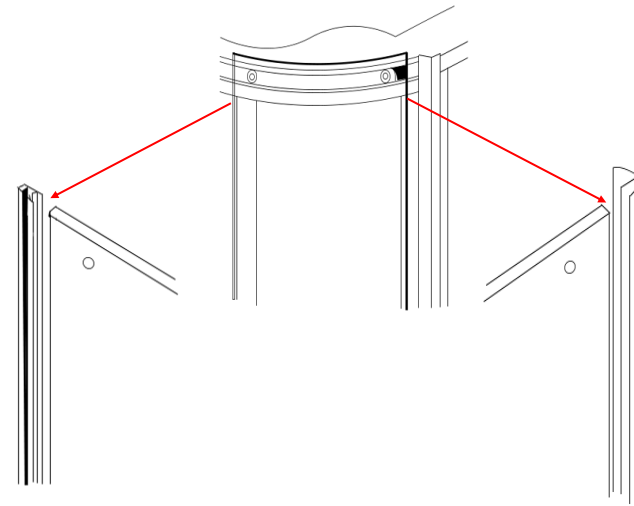
### Steam Pod

Insert the pod from the inside of the shower and attach large white nut from the rear.

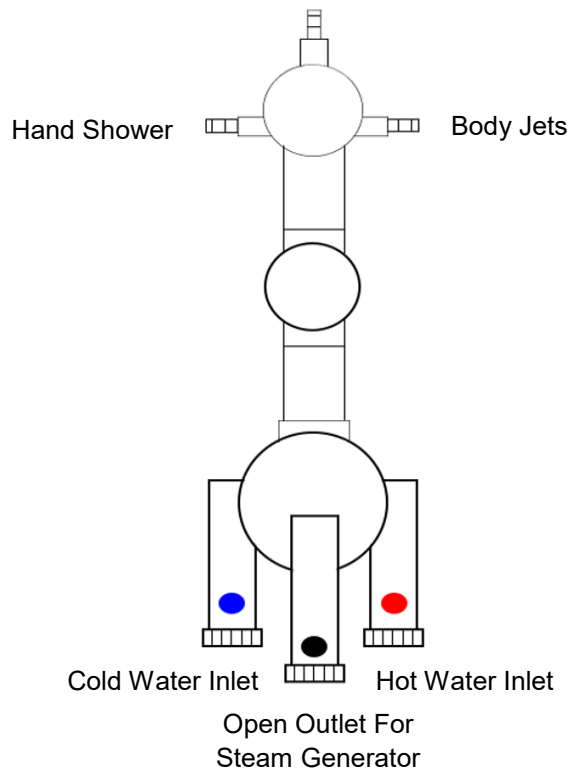
**Door Seals**

Magnetic Seal: Push the magnetic door seal on the handle side of the glass door ensuring this is tightly fitted.

Rear Door Seal: Place the rear door seal on the opposite side to the magnetic strip ensuring the flap is facing the fixed glass panel



**Monsoon Shower**



**Shower Valve**

Device output may differ from the image. Please refer to your outer chrome faceplate inside your Insignia shower as a reference point.

**IF YOUR DIAL DOES NOT CORRESPOND TO THE APPROPRIATE DEVICE:**

Turn on your water to the shower and note which output the water exits from then turn off the water and swap over the relevant hose.

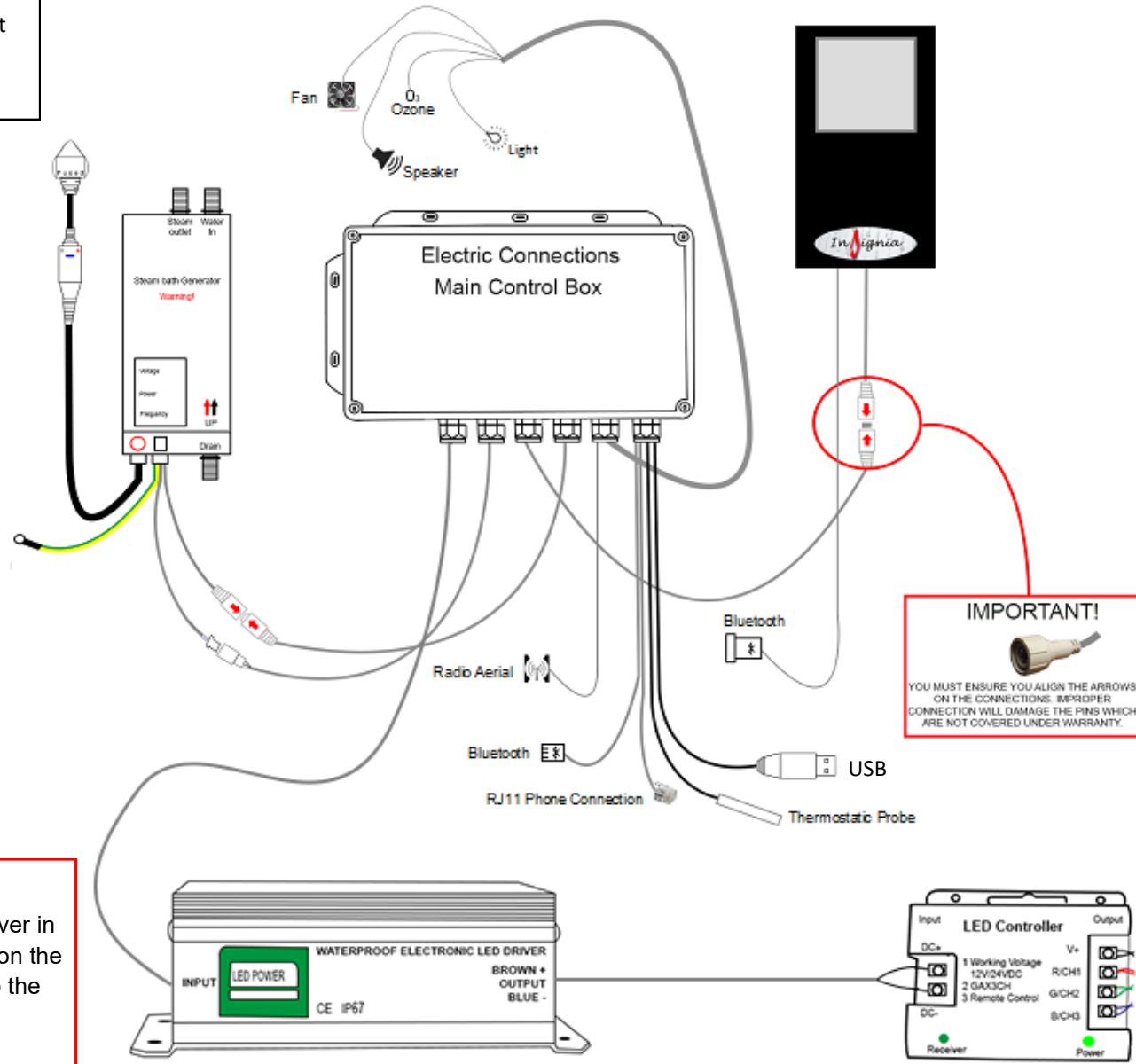
Alternatively remove the outer chrome knob by removing the chrome cap and loosening the grub screw (please ensure not to unscrew fully as this will drop within the chrome knob) this is found on the opposite side to the chrome pillar. Once you have succeeded in loosening this you can now slide your faceplate to correspond to the device.

**Version 1**

**Please Note:** if you do not have the power lead coming from the electric box to power the LED driver, please revert to version 2 on the next page

# Electric Box Connections

Connect the cables below to the corresponding devices on the shower



**IMPORTANT!**  
YOU MUST ENSURE YOU ALIGN THE ARROWS ON THE CONNECTIONS: IMPROPER CONNECTION WILL DAMAGE THE PINS WHICH ARE NOT COVERED UNDER WARRANTY.

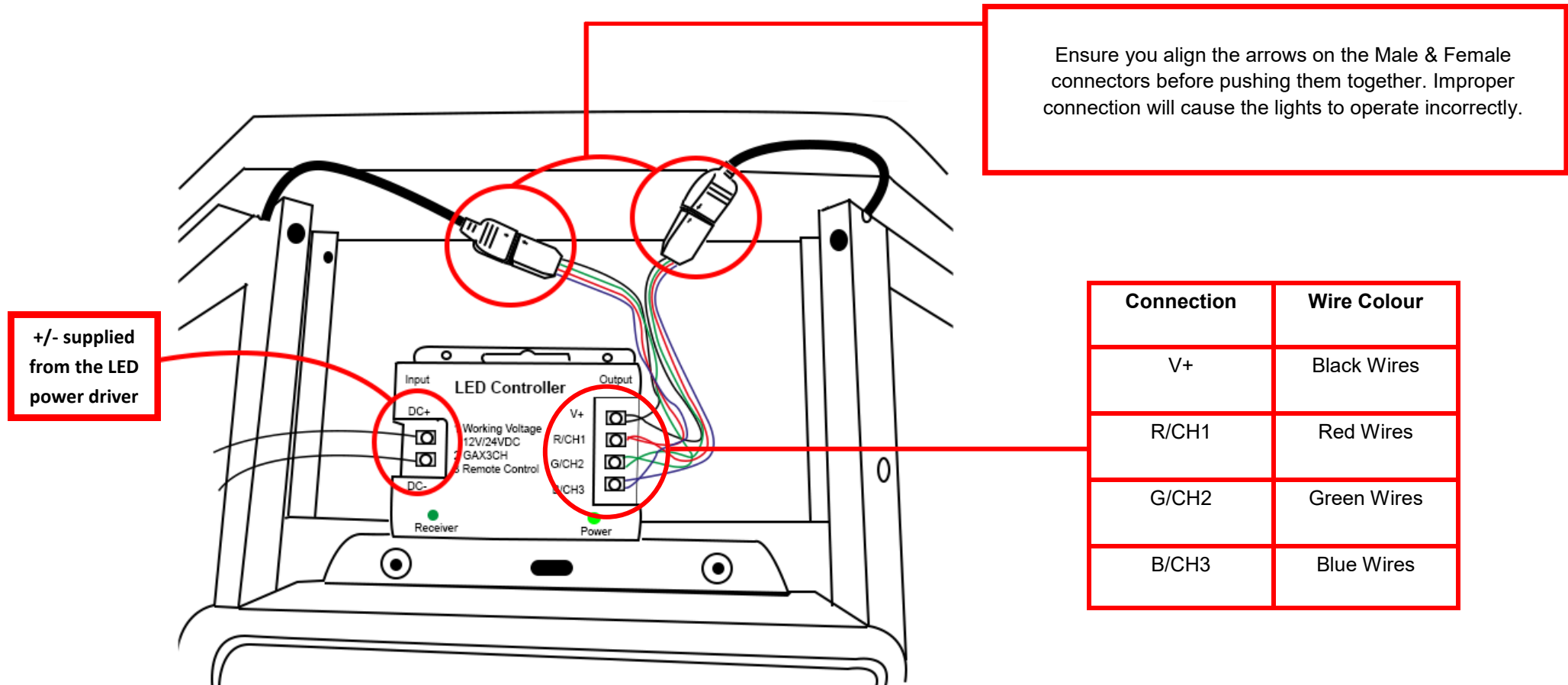
**Important!**  
You can mount the LED power driver in any location, we suggest resting it on the roof of the shower mounting it up the correct way.

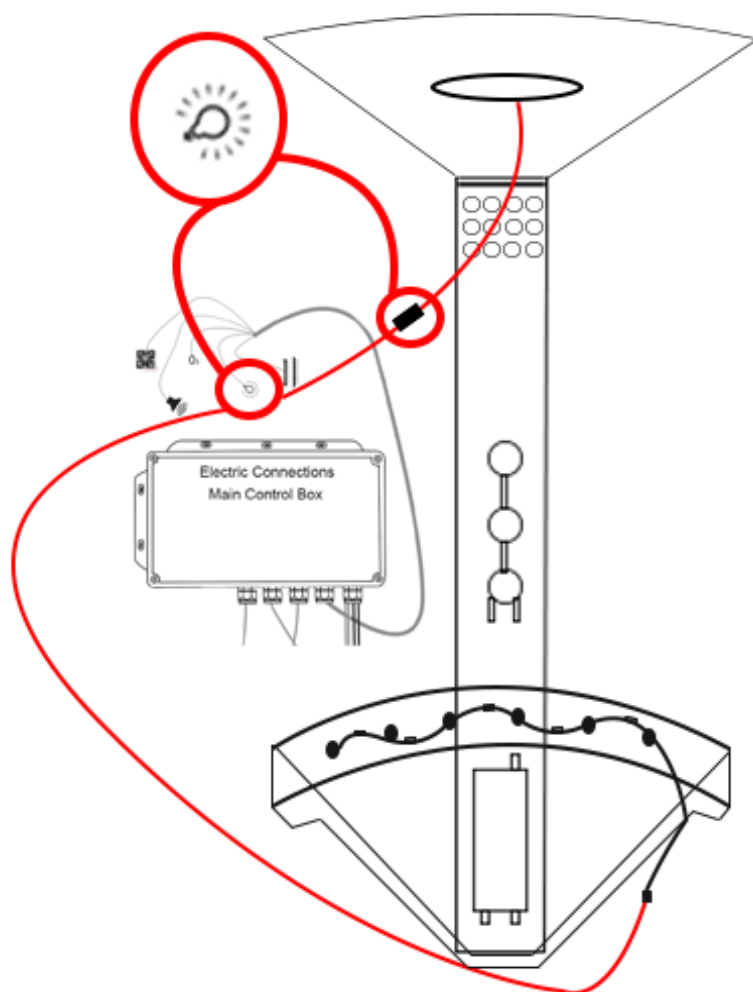




## Backwall LED Connection

1. Locate the touch series controller found in your packing list. Connect the 2 sets of the coloured wires to the output section (if not pre-connected) on the controller using the chart below for colour reference.
2. Connect the power source by the +/- wires as shown on the image below. Please ensure the power is not connected whilst doing this.
3. Mount the LED Controller unit behind the lip of the electric box or any suitable place where it wont get knocked. To mount simply loosen one of the screws on the main electric box and mount the LED Controller behind it as shown below. Next tighten the screw back up and the unit is now securely in position. **NOTE:** On some models it may not be possible to locate the Controller here due to the lack of available space between the electric box and the shower cabin roof. If this is the case, simply mount the LED Controller to the lip of the roof and screw in to position through the 2 screw holes on the lip of the LED Controller.





### Connection For Tray Lights

Using the supplied extension lead, please connect the end with the single connection to your tray lights. Next bring the extension lead up the back of the shower and connect one of the plugs to the light connection on the roof as shown in the image (essentially bridging the two sets of lights together)

Now with the remaining connection, connect this into the wire coming from the electric box with the matching light sticker on (as shown in the image)

### Safety precautions

Never leave children unattended in the shower or bath.

Never bath children (under 12) using whirlpool function if fitted.

Regulate the temperature of water before showering

Never allow children to use the steam function. This function is for  
ADULTS ONLY.

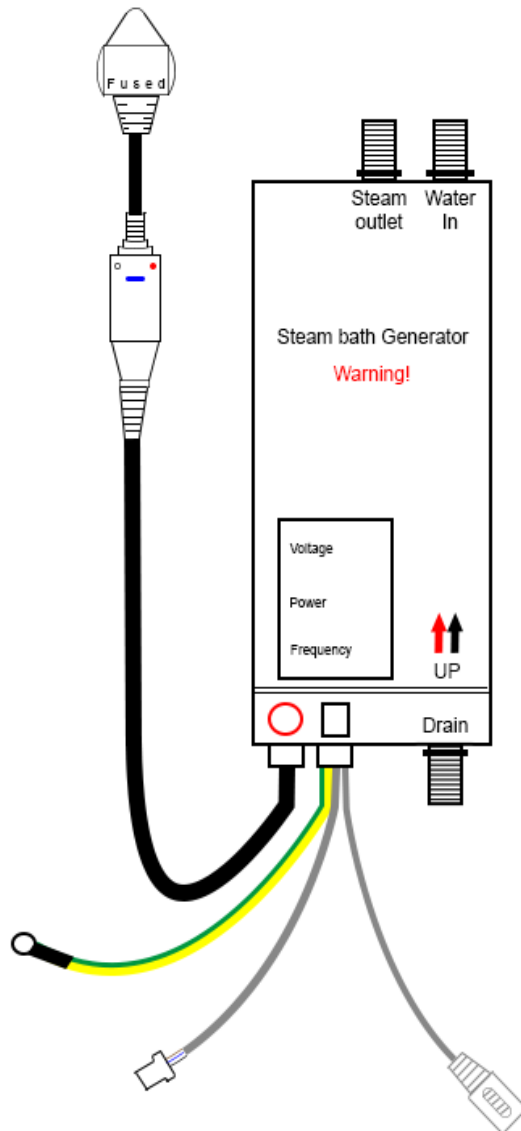
Always be aware of the steam outlet pod position. Never use in close proximity to the person using it.

Never use this shower if you have been drinking alcohol.

Never use with more than one person unless the shower is designed for this.

This product is not to be used for washing/bathing animals

## Steam Generator Connections

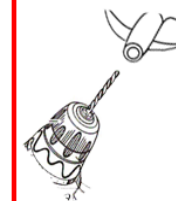
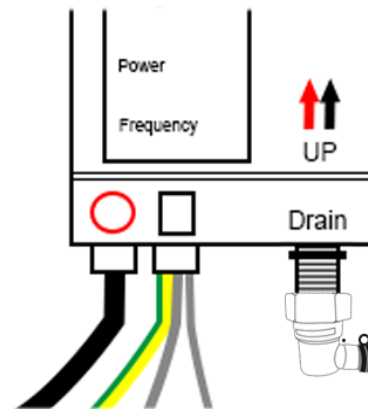


**The steam generator has 3 connections.**

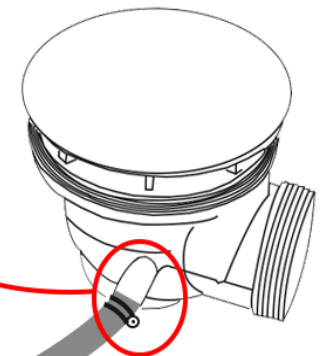
**Steam Outlet:** Connect the white insulated hose to the white steam pod within your shower. Make sure these are fitted in the correct position as they are only attached for transportation reasons only.

**Water Inlet:** Connect a braided hose from the shower valve's centre feed to this opening.

**Drain:** Connect the grey rubber hose from the steam generators drain opening to the nozzle on the shower waste (as shown in the below image)



**IMPORTANT!**  
In order for your water to waste from the steam unit you must ensure the spigot has been drilled open. All new showers should have this pre-done, however if not simply run an 4mm drill piece down the spigot which will open it up.



## Silicone Seal where shown in red on the inside of the shower

### TESTING FOR WATER LEAKS

#### LEAVING SHOWER 24 HOURS AFTER BUILD ALLOWING SEALENT TO CURE

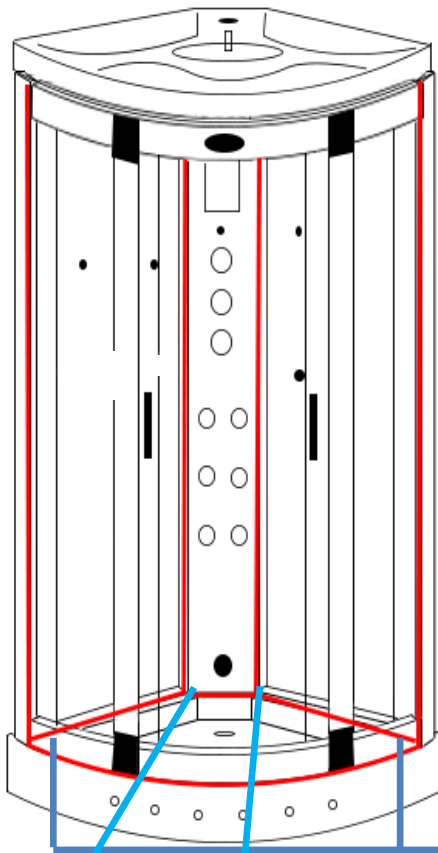
With all connections tight, the waste and hoses checked, jets fully sealed, your shower still around 18 inches from its designated final resting point and the silicone fully cured (hence leaving for 24 hours minimum) Switch on the overhead shower NOT the massage jets, remember these will fire water out at you and are not suitable for checking leaks as they would normally only operate when a person is in front of them. Just use COLD water setting as hot will make cabin misty and condensate thus the inspection becomes very difficult. Now on the OUTSIDE of the shower inspect each joint, factory seal, hose, clip and jet by walking from one side and going around to the back and then to the other side finishing at the front. If you have a small leak (normally caused through insufficient sealer or air bubble on assembly, dry the area thoroughly and reseal on the OUTSIDE. Please remember where you see the water this may not be exactly where the leak is as it could have run around to a low point. Never seal your inner fittings (accessories) inside unless you feel it necessary and make sure it is thin and neat, remember you will see this for the life of the shower!

Again leave to cure and check. If all good now check shower functions i.e. jets for back massage, foot massage, (if you have one) and finally hand shower, check your joints to these functions at the rear again. Never use the shower until **all** checks have been made and the installer is 100% happy in the knowledge no leaks are present.

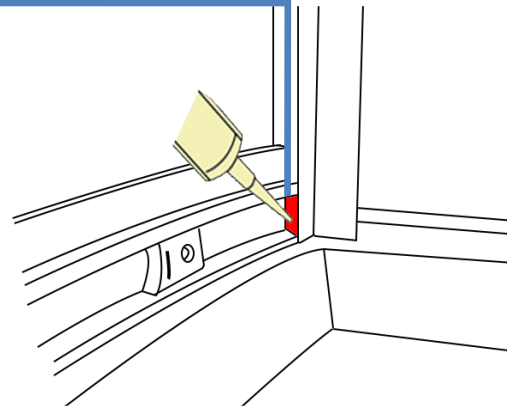
All good?

Now push your shower FROM THE BASE NEVER GLASS OR FRAME into its final resting position. Now you can shower in the knowledge that you have no leaks a job done well and long product life.

Happy showering!



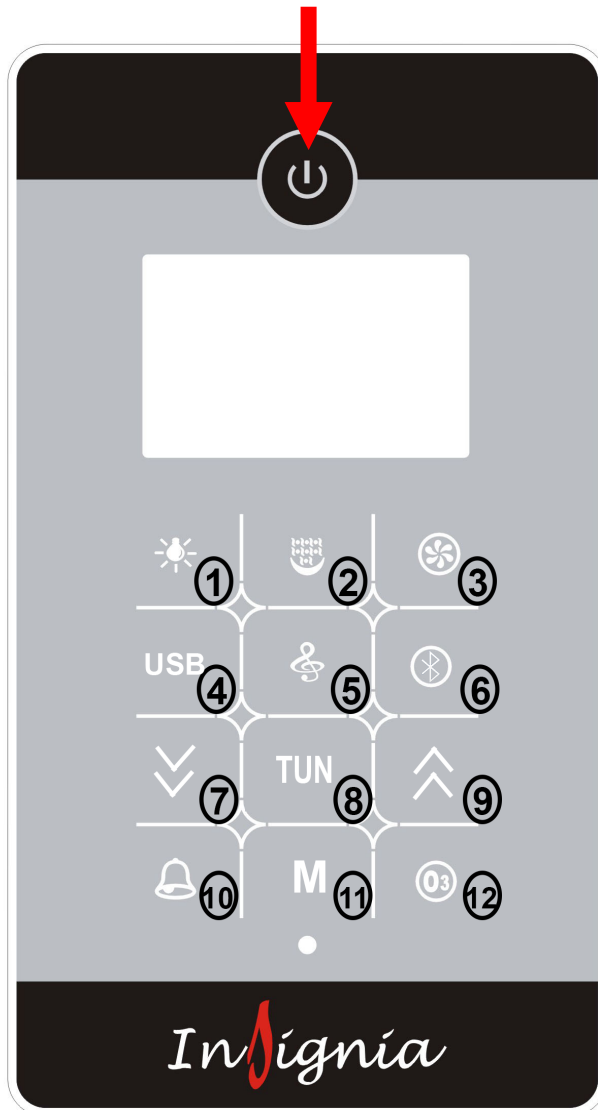
Silicone the area highlighted in red where the glass panel frame meets at the bottom (next to the column)



Silicone fill the area highlighted in red at the end of the bottom runner as indicated in the image on the left.

## MK117U Control Panel Instructions

Power Button (Lock)



\*When loading music on to your memory device the play order will be ordered based on the date the files where created.

### Button 1 (Light Bulb)

Press x1 For LED backlights (please refer to the LED remote control for further operation here)

Press x2 Operates the tray lights & Roof Light

Press 3x For All Lights

Press 4x To Switch Off Lights

### Button 2 (Steam)

On/Off

### Button 3 (Fan)

On/Off

### Button 4 (USB)\*

Connect an external memory device and use the button 7&9 for forward and backward operation

### Button 5 (Radio)

On

### Button 6 (Bluetooth)

On/Off (When activated a beep will sound and the power button will flash purple to notify you that the Bluetooth is searching for a device. Power button will be fixed purple when paired with a device. To pair another device to your control panel, reset the control panel by powering off and powering back on and please ensure you have switch off the Bluetooth to any current paired devices as only one connection can occur at any one time..

**Note: The device you are looking to pair is either "INSIGNIA" or SPR-OUT"**

### Button 7 (Down Arrow)

Channel/Volume select down/manual search

### Button 8 (TUN)

Switch Between manual & auto radio searching

### Button 9 (Up Arrow)

Channel/Volume select up/manual search

### Button 10 (Alarm)

Activate Alarm

### Button 11 (M)

Set Steam Time & Temperature/When Radio is active this button will activate the arrows to become volume buttons.

### Button 12 (o3)

Press to activate once you finish using the shower.

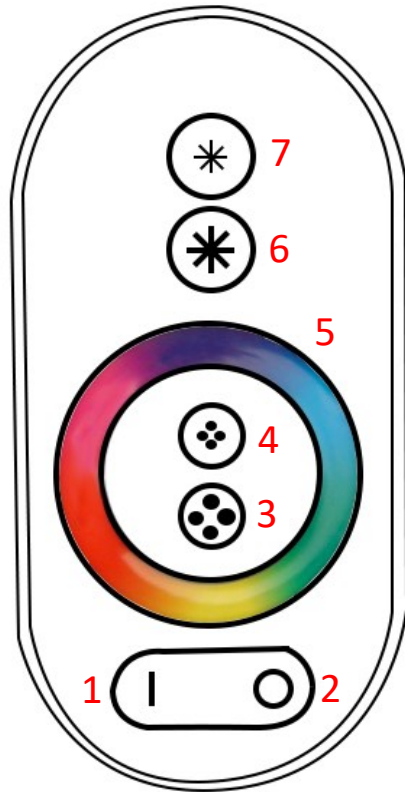
### Power Button (Lock)

Press and hold to active the control panel.

The control panel will automatically lock when not in use for a short time, hold this button down for 3 seconds until a beep is heard and this will unlock and re-activate the control panel for use.

## LED Remote Control

NOTE: The remote will only operate once the control panel light button has been pressed once.



Remote requires 3x AAA batteries

1. ON
2. OFF
3. Brightness Up
4. Brightness Down
5. Pressing any colour on the spectrum wheel will allow you to select a desired colour. As the remote is touch sensitive you can scroll through the colours by running your finger around the colour spectrum either clockwise or anticlockwise.
6. Select 1/18 different modes (1-18 order) **See table**
7. Select 1/18 different modes (18-1 order) **See table**

**NOTICE:** If the indicator light on the remote controller flash regularly without touch, the battery should be changed.

**BATTERY INSTALLATION:** The remote requires 3 x AAA batteries , each voltage is 1.5V. Open the cover of the battery and load 3 pcs AAA batteries correctly as per the positive and negative instructions inside the battery compartment.

Sequence	Mode	Remark
1	Static Red	Adjust Brightness
2	Static Green	Adjust Brightness
3	Static Blue	Adjust Brightness
4	Static Yellow	Adjust Brightness
5	Static Purple	Adjust Brightness
6	Static Cyan	Adjust Brightness
7	Static White	Adjust Brightness
8	3-colour jump	Brightness/speed adjustable
9	7-colour jump	Brightness/speed adjustable
10	3-colour gradient	Brightness/speed adjustable
11	3-colour smooth	Brightness/speed adjustable
12	7-colour gradient	Brightness/speed adjustable
13	7-colour smooth	Brightness/speed adjustable
14	3-colour flicker	Brightness/speed adjustable
15	7-colour flicker	Brightness/speed adjustable
16	3-colour flash	Brightness/speed adjustable
17	7-colour flash	Brightness/speed adjustable
18	Automatically Play	Brightness/speed adjustable

### IMPORTANT!

The remote control is **NOT** waterproof and is not designed to come in contact with water. Please never take the remote control in to the shower

## Need Help?

Then simply download the following "Help" advice booklet found at this link below. This contains many useful items such as is your parts warranty registered, advice on cleaning / servicing your shower cabin, fault finding and many more items. This is a **MUST** to read and not just "HELP". It saves time in nearly all cases, avoiding contact with ourselves as most answers are there for a ready fix!

Simply visit: [www.insigniarange.co.uk/help.aspx](http://www.insigniarange.co.uk/help.aspx)



**INSIGNIA PRODUCTS**  
**HELP I HAVE PROBLEMS AND**  
**NEED ANSWERS NOW!**



**PLEASE KEEP IN SAFE PLACE**

[www.insigniarange.co.uk](http://www.insigniarange.co.uk)



## Parts List

### Internal Items

Part Code	Part Description
SP063	Monsoon Shower head
SP056	Ozone Module (for Steam Showers)
SP040	Massage jet—2 open ends
SP040A	Massage jet—1 open, 1 closed
SP236 SP112 (warranty) SP120 (warranty)	Complete riser bar Shower holder (for riser bar) Water Inlet (bottom part of riser bar)
SP159	Shower waste
SP097	Chrome rectangular door handles
SP240	Glass Shelf
SP058	Skirt light
SP058A	End skirt light
SP196	Thermo sensor holder
SP072	Door stoppers
SP207	Chrome Door Wheels
SP006	Steam Pod
SP105	Chrome Flexible Hose
SP060	Electrical extension cable
SP038	Speaker
SP007	Fan
SP037	Fan & speaker cover
SP204	MK117U Control panel

SP194	Blister pack
SP152	Standard shower head
Sp166	Approximately 4 meters of "U Style" seals

### External Items

Part Code	Part Description
SP300	Waste hose
SP301	White insulated pipe
SP221	Drain Hose
SP208	MK117U Electric box (Two leads)
SP208A	MK117U Electric box (three leads)
SP232	Vertical steam generator
SP308	Magnetic door seals
SP310	Rear door seals
SP153	4 Port—3 Feed Thermo-static valve

### Framework

Part Code	Part Description
GTLITE-11	Bottom Rail
GTLITE-10	Top rail
GTLITE-13	Left upright
GTLITE-1	Right upright
GTLITE-8	Tray
GTLITE-7	Blank roof
GTLITE-9	Blank column
GTLITE-14	Front left post with grey clips
GTLITE-15	Front right post with grey clips

### Glass

Part Code	Part Description
GTLITE-4	Glass door (universal)
GTLITE-6	Right Backwall
GTLITE-5	Left Backwall
GTLITE-3	Fixed glass (universal)

All images are registered with  
ImageTraker

Insignia™ is a registered trademark of Maclean International Ltd

All images are subject to copyright. Images may not be used in any way shape or form with out written permission from Maclean International Ltd. Images are NOT permitted to be saved, printed or uploaded. Violation of copyright laws are punishable by law.