



## INSTALLATION MANUAL

### KY002 Infrared Sauna Series



**30 Day Technical Support:**

Call **01908 317512** and request technical support for aiding your installation.

**Replacements Parts:** Inside of your warranty period visit:

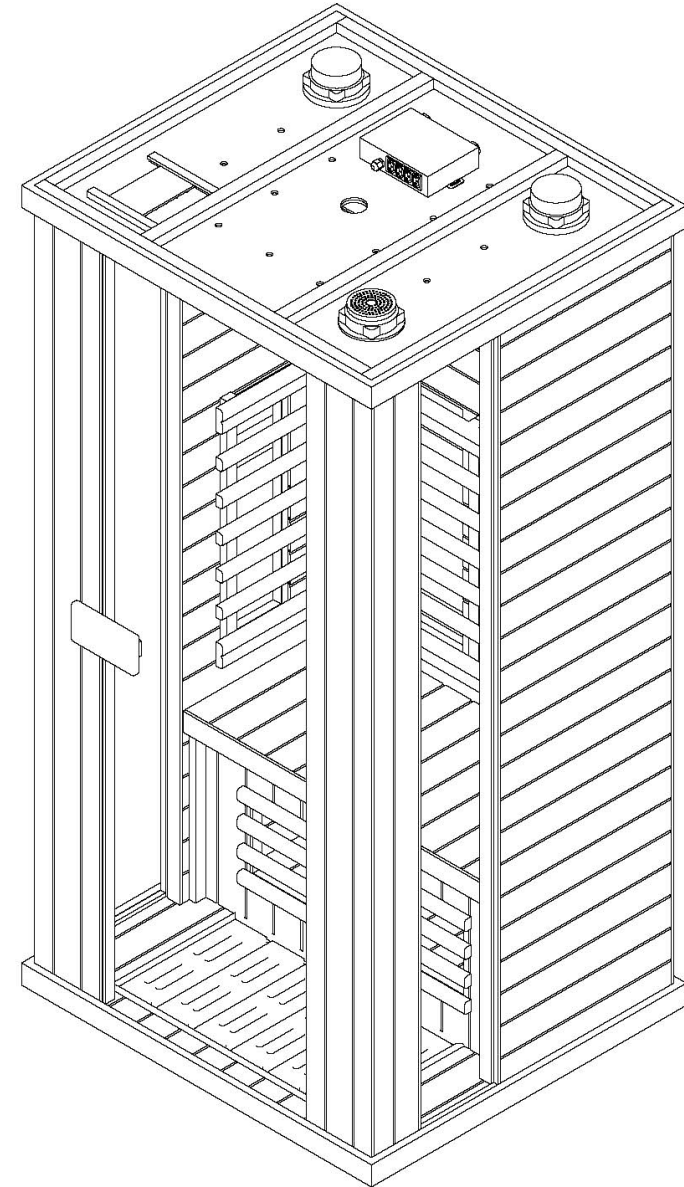
<https://www.insigniashowers.com>, click support and make a warranty claim.

**Spares/Replacements Parts:** Outside of your warranty period visit

<https://www.insigniashowers.com/replacement-parts.html>

**ATTENTION INSTALLERS:**

These instructions must be  
left with the customer



**CHECK ALL CONTENTS BEFORE BUILD COMMENCES. NO RETURNS CAN BE MADE  
ONCE THE BUILD HAS STARTED AS IT IS DEEMED ACCEPTANCE OF PRODUCT!**

## Contents

Thank you for your purchase	3
Electrical & Tool requirements	4
Box contents	5
Screw Pack Contents	6
Back and Left Panel Install	7
Right Panel Install	8
Bench Heater Install	9
Bench Install	10
Bench Seat Install	11
Back Rests Install	12
Glass Panels Install	14
Corner Post and Metal Grid Covers Install	15

Roof Install	16
Door Install	17
Door Handle Install	18
Roof Cover Install	19
Electrical Connections	20
Sauna Control Panel Instructions	21
Remote Control Instructions	22
Sauna Room Safety Guide	23
WEEE Compliance Statement	24



Thank you for your recent purchase of an Insignia Sauna. Please read this booklet with great care to ensure you get the best out of your build and have a Sauna that will last for many years to come! Like everything, in order to obtain a first class product that will serve you well for many years, the effort and correctness put into the assembly will reflect in the quality of your finish.

## Electrical Requirements Model KY002

Voltage Rating 220-240AC  
Frequency Rating 50Hz  
Power Rating 1887 Watts Sauna  
Total Amperage 7.8 amps

Indoor saunas with power consumption under 3KW have been designed for easy installation, allowing for a simple plug-in directly into a standard household power circuit.

### Installation Notes:

1. (Recommended) Consult with a qualified Electrician before connection to assess suitability.
2. Ensure all parts are connected safely and correctly.

**Always** use protection against electrical surges by means of an RCD unit.

If you are uncertain about the installation process or have any questions, please feel free to reach out to our friendly technical support for general advice. For anything more specific to the electric installation, please consult with a certified electrician.

## Tools Required

- Scissors
- Knife
- Spirit Level
- Tape Measure
- Philips Screwdriver
- Electric Drill
- Safety Gloves
- Safety Glasses

## What's in the Boxes?

Contents	Quantity	✓	Contents	Quantity	✓
Roof	1	[ ]	Bench Front Cover	1	[ ]
Left Panel	1	[ ]	Bench Top Seat	1	[ ]
Back Panel	1	[ ]	Bench Frame	1	[ ]
Right Panel	1	[ ]	Infrared Heater	1	[ ]
Front Panel Glass Door	1	[ ]	Metal Grill-Covers	2	[ ]
Slatted Back Rest	1	[ ]	Roof Cover	1	[ ]
Slatted Side Panel Back Rests	2	[ ]	Glass Panel	2	[ ]
Corner Posts	2	[ ]	Glass Door	1	[ ]
Floor Insert	1	[ ]	Screw Pack	1	[ ]
Door Handle	1	[ ]			

### VERY IMPORTANT

Have you got everything? If not please contact the Insignia directly on **01908 317 512**. Remember **NEVER** book your tradesman until everything has arrived, been checked and is present. No replacement/missing parts can be obtained free of charge during or after the build. Any claims can only be within the timescale permitted (48 hours after delivery) and always **BEFORE** build.

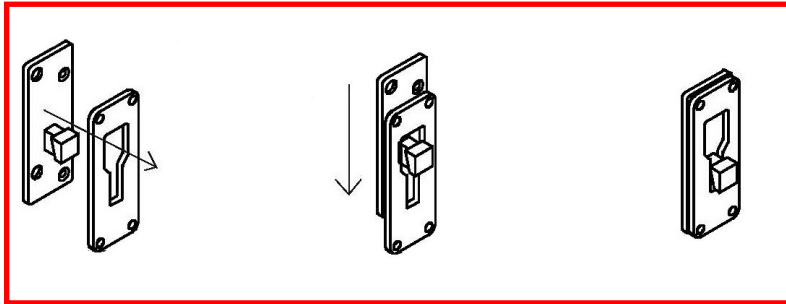
## Screw Pack Contents

Contents	Quantity	
ST5 60mm Screws	12	[ ]
ST4 35mm Screws	16	[ ]
ST4 18mm Screws	26	[ ]
ST4 12mm Screws	7	[ ]
Rubber pads for Bench Heater	4	[ ]
M8 45mm Bolts	2	[ ]
Φ8mm Wire Fixers	7	[ ]
Φ10mm Wire Fixers	3	[ ]

### VERY IMPORTANT

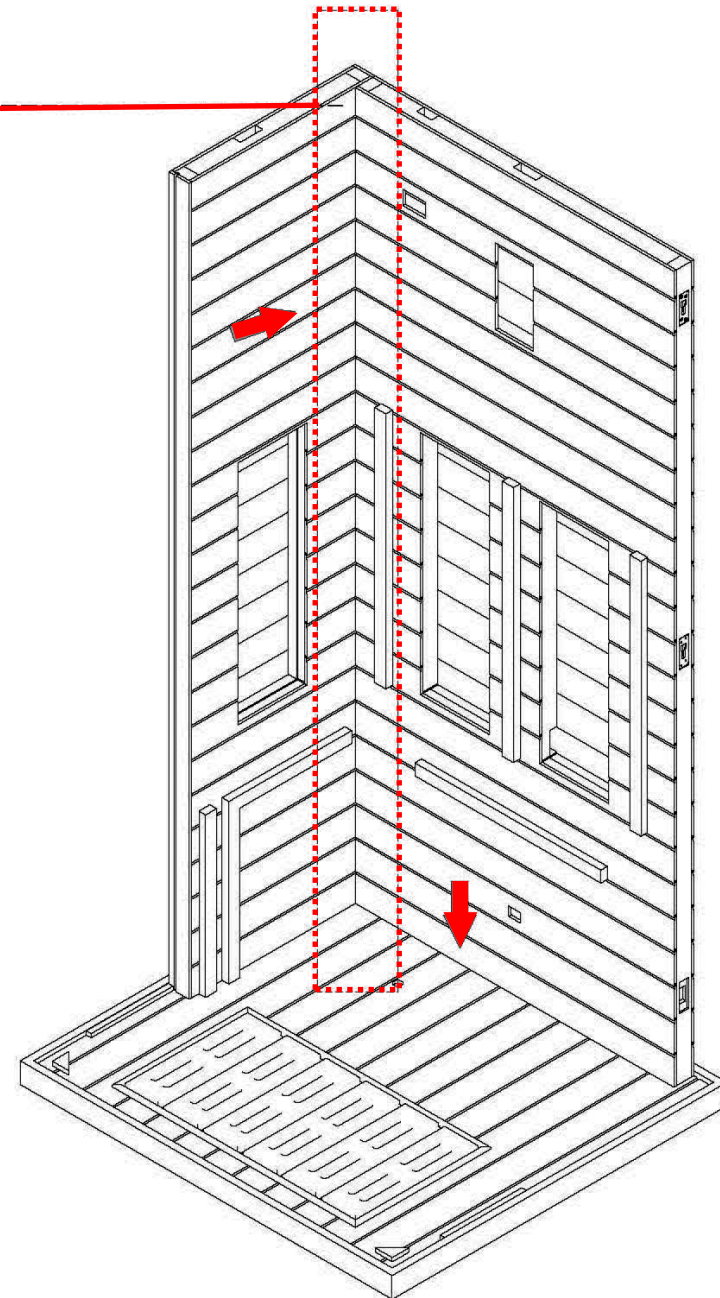
Have you got everything? If not please contact the Insignia directly on **01908 317 512**. Remember **NEVER** book your tradesman until everything has arrived, been checked and is present. No replacement/missing parts can be obtained free of charge during or after the build. Any claims can only be within the timescale permitted (48 hours after delivery) and always **BEFORE** build.

## Step 1 — Installing the Back and Left Panels

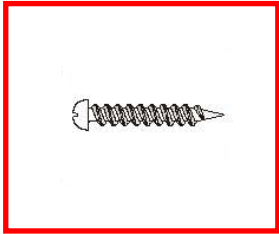


The pre-installed panel connection brackets are shown (above).

Lift panels and locate the interlocking connection brackets and push the panel down to secure into position. Locate both panels onto the wooden side of the base.



## Step 2 — Installing the Bench Heater

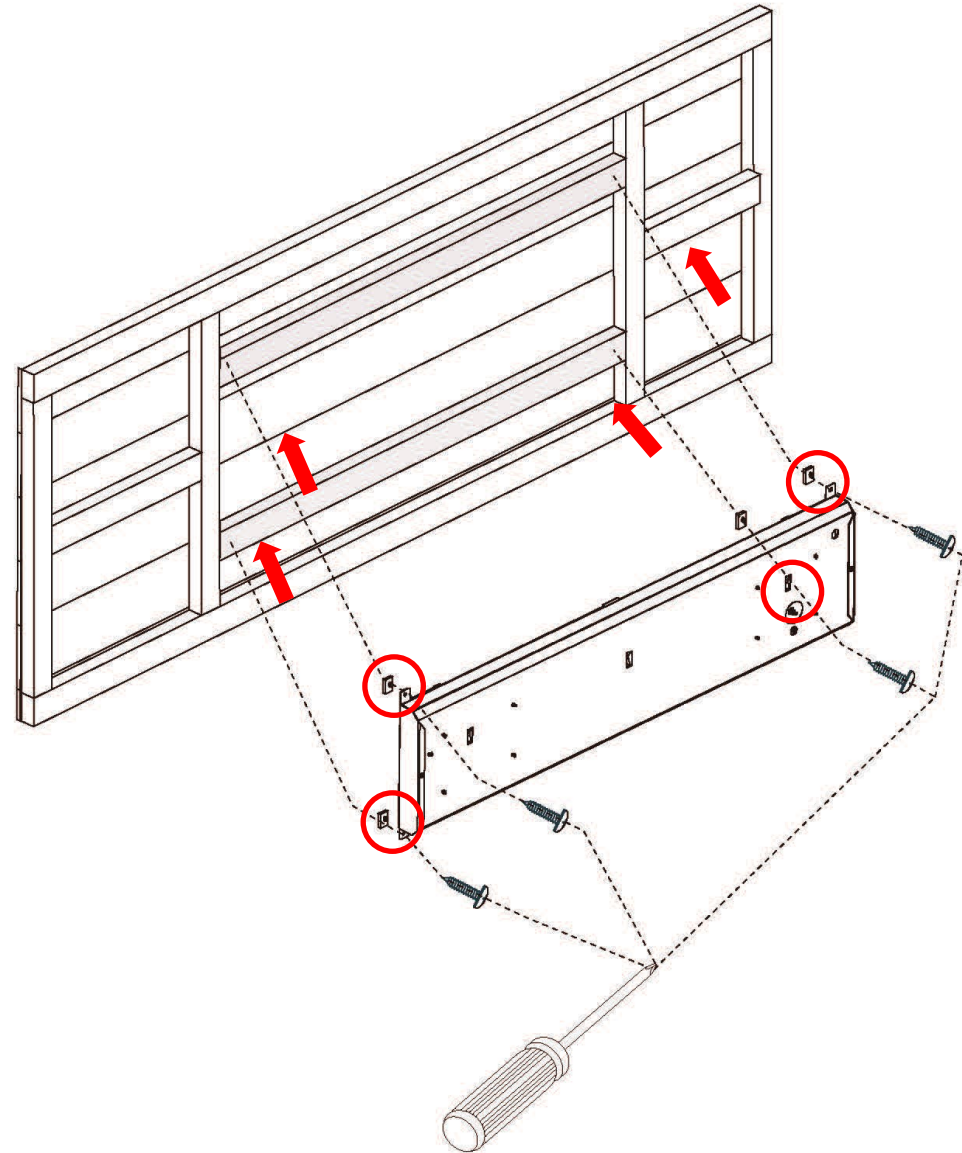


**4 x ST4 18mm Screws**

**4 x Rubber Pads**

Using the ST4 18mm screws and the Rubber pads found in the screw pack, connect the bench heater behind the bench frame as shown in the diagram.

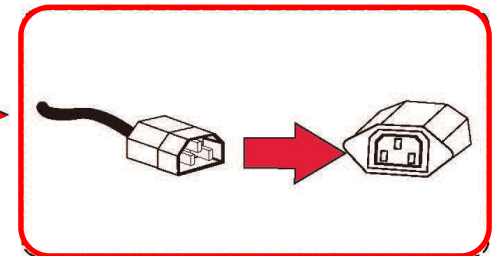
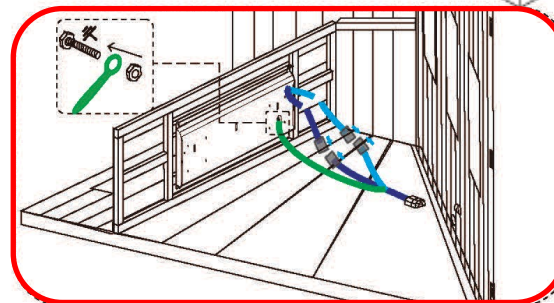
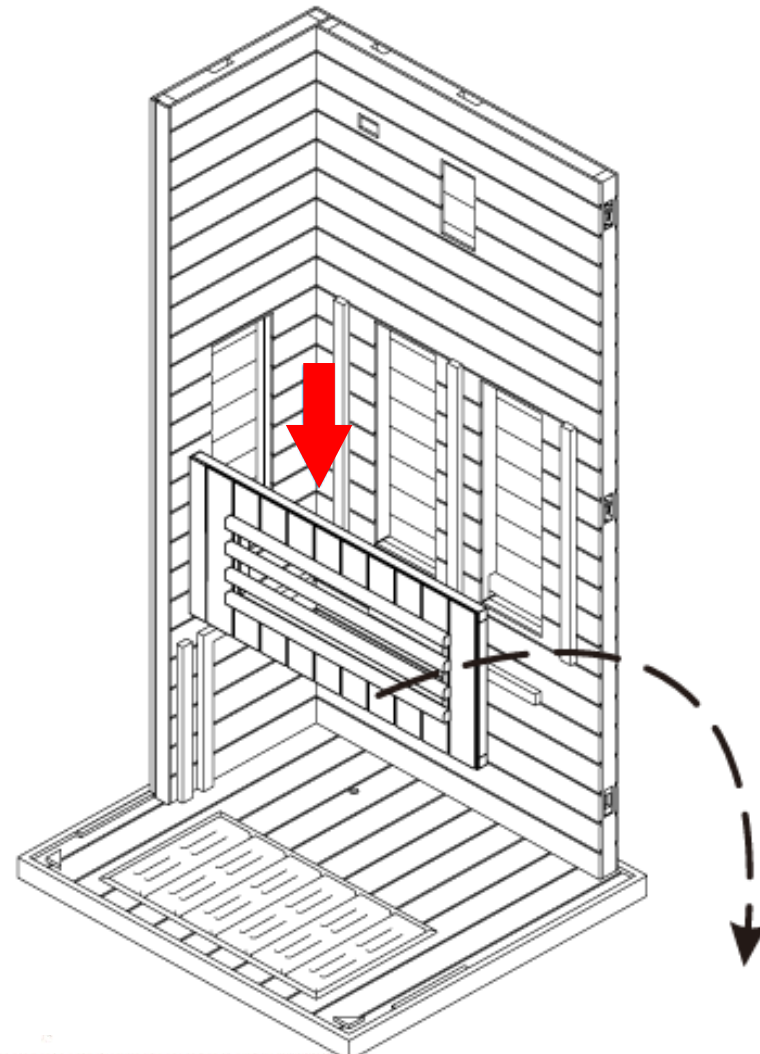
Ensure the rubber pads are positioned between the wood and the metal legs of the infrared heater.



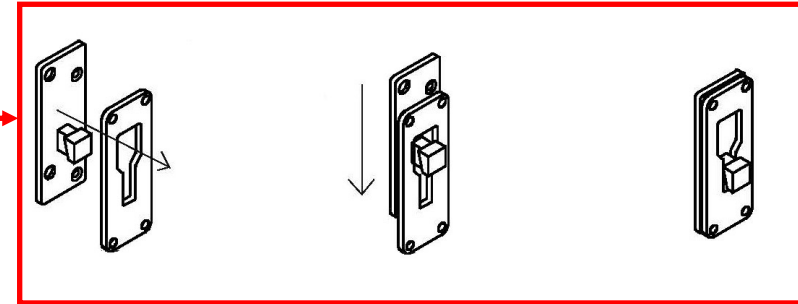
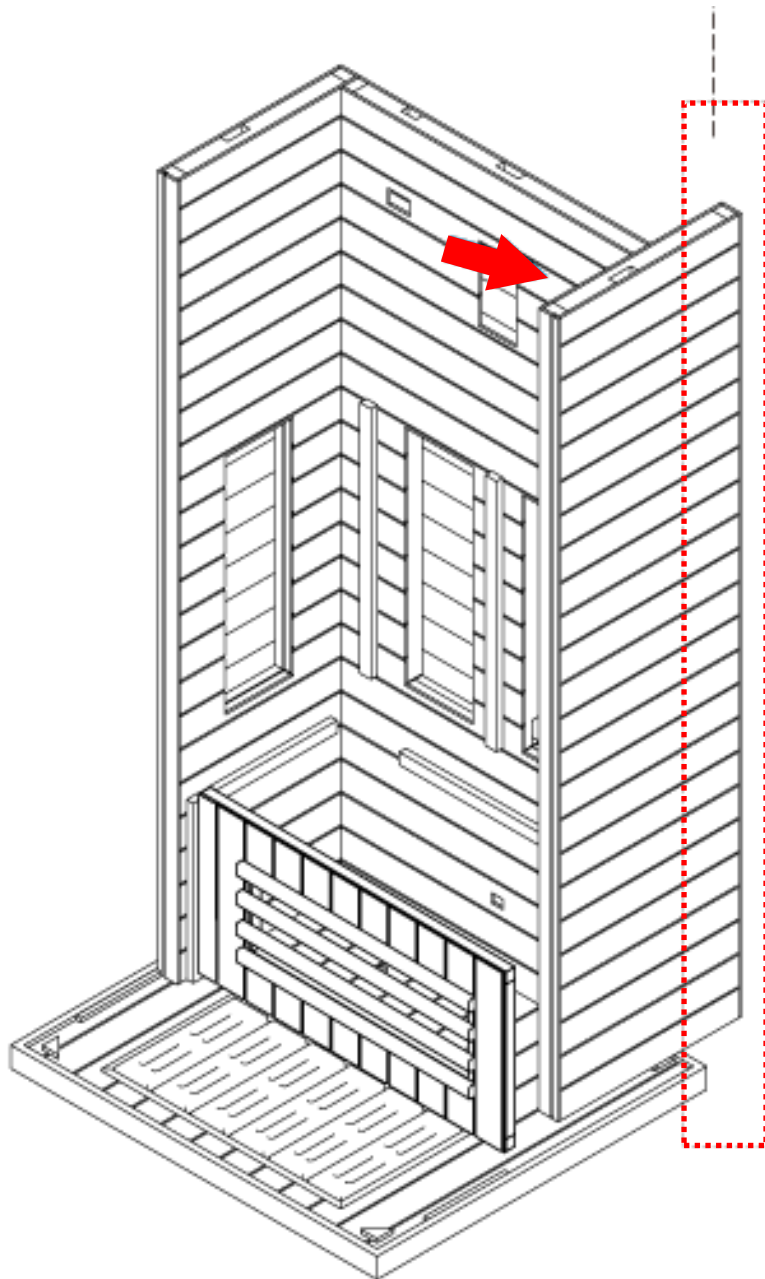


### Step 3 — Installing the Bench

Once the bench panel is in place, locate the splitter in the screw bag & connect the heater wires as shown in the diagram. If supplied, secure the earth wire on the back of the heater under the bolt.

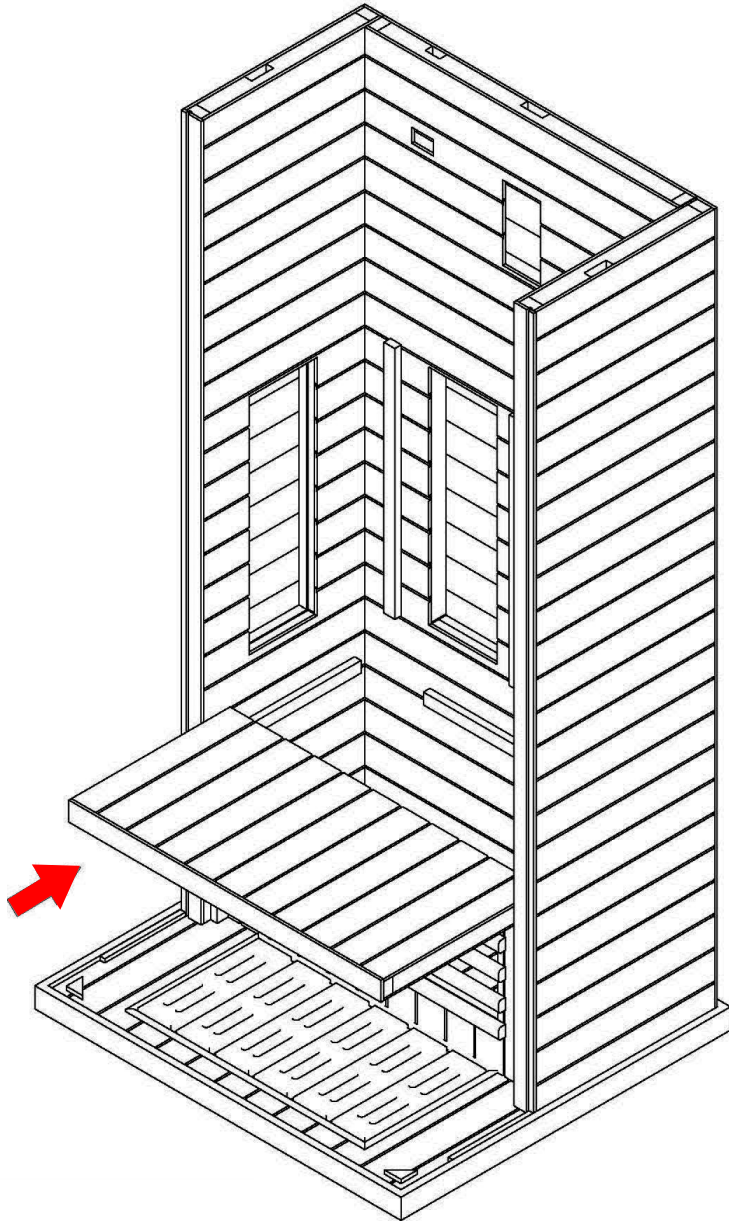


## Step 4 — Installing the Right Panel



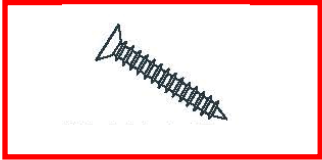
The panel connection brackets are shown (above). Lift panels and locate the interlocking connection brackets and push the panel down to secure into position. Locate both panels onto the wooden side of the base.

## Step 5 — Installing the Bench Seat



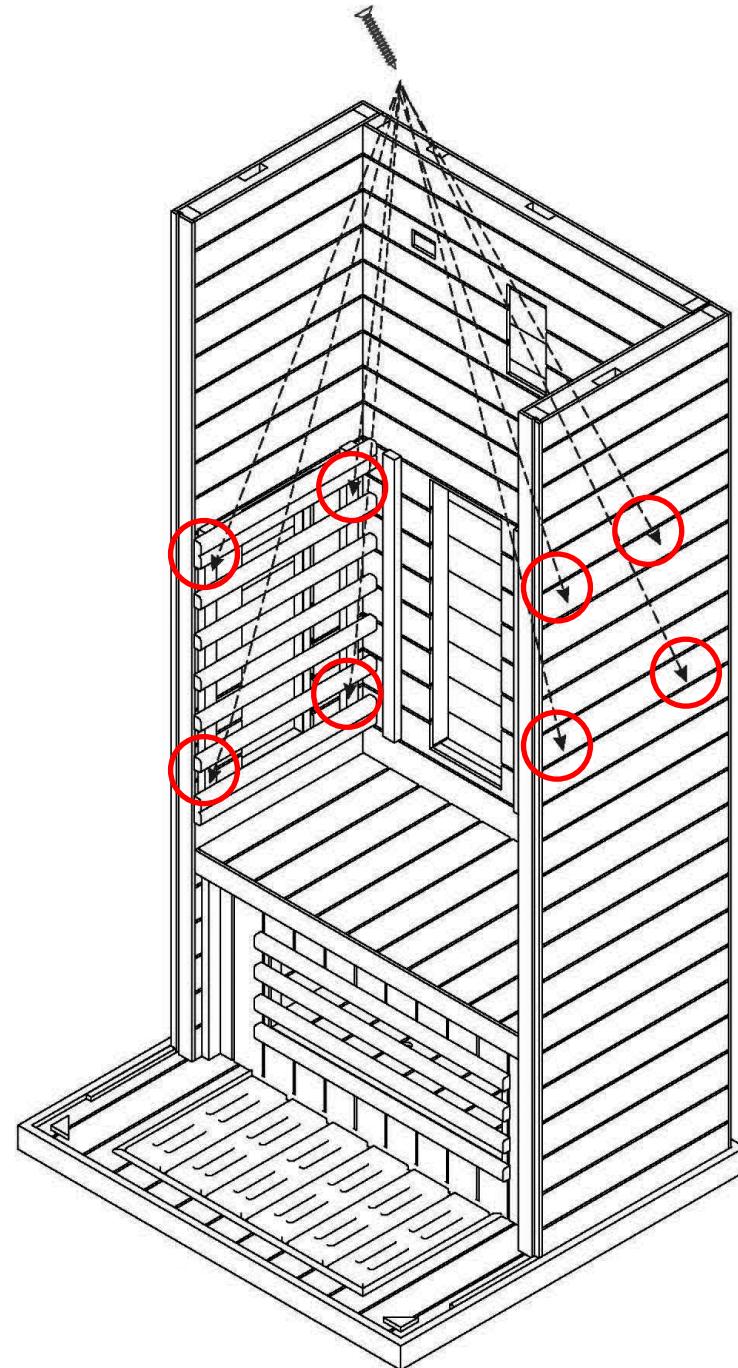
Slot the bench top onto the frame securely.

## Step 6 — Installing the Back Rests



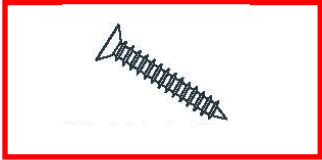
8 x ST4 35mm Screws

Install the side rest panel using the ST4 35mm screws provided in the screw pack.



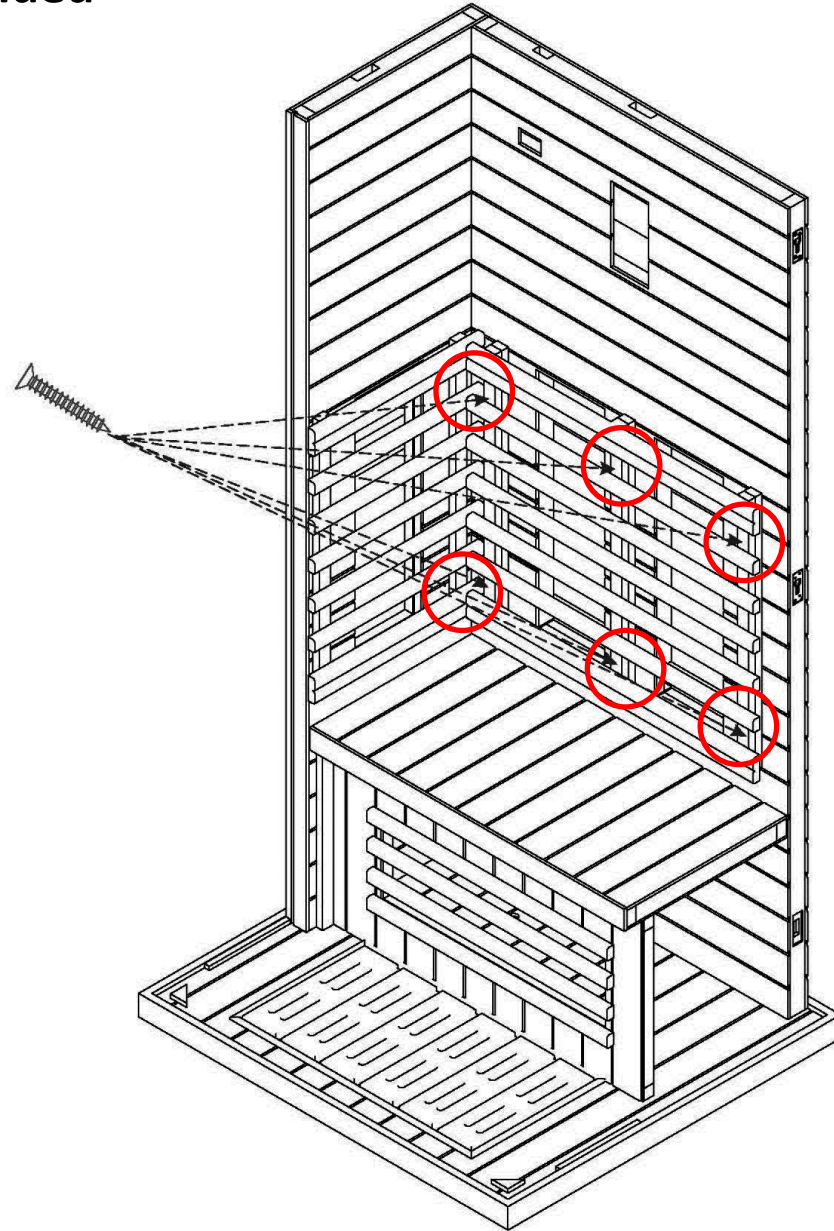


## Step 7 — Installing the Back Rests — continued

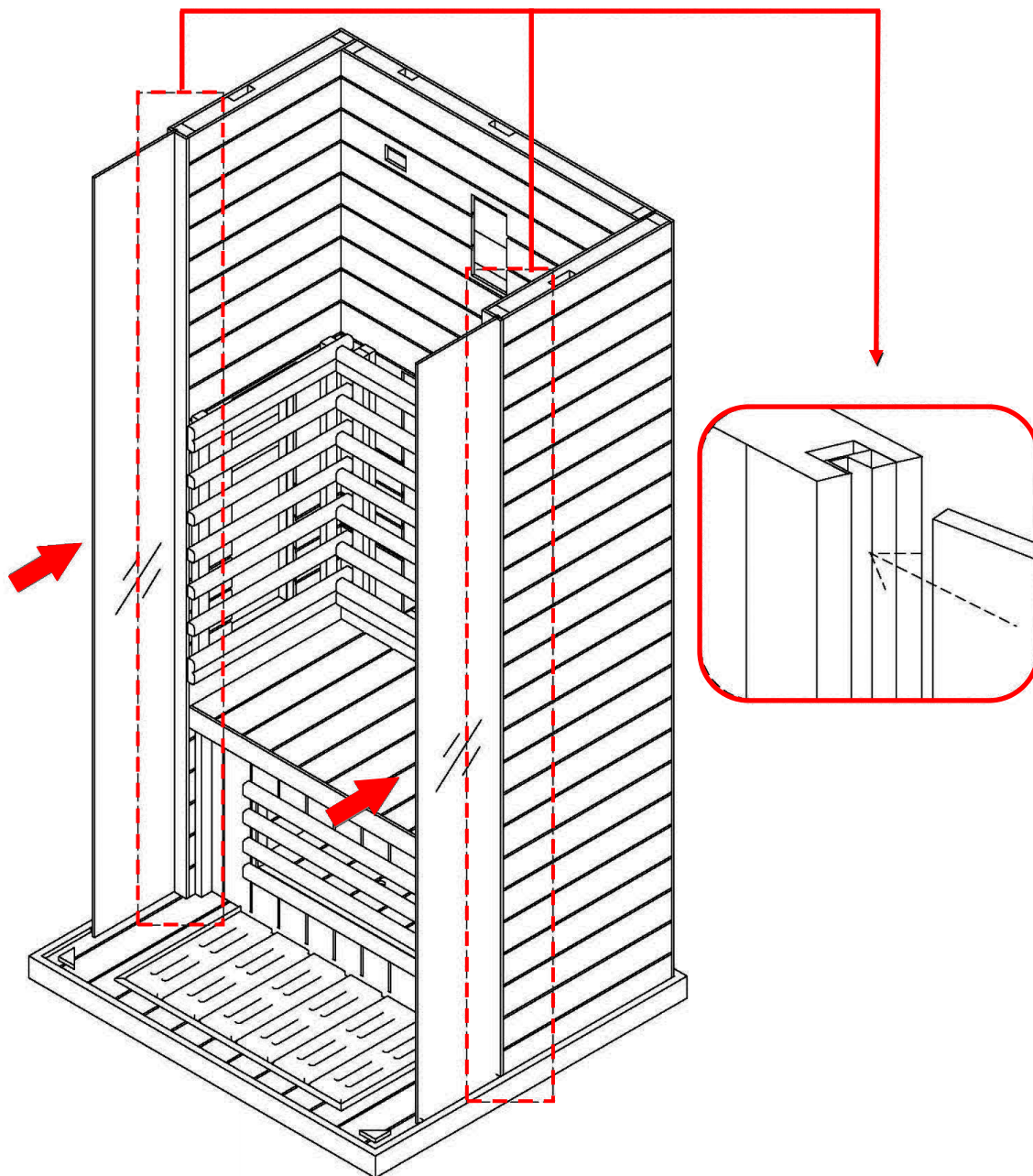


6 x ST4 35mm Screws

Install the back rest panel using the ST4 35mm screws provided in the screw pack.

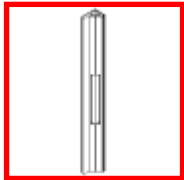


## Step 8 — Installing the Glass Panels



Slot the left and right glass panels into the grooves as shown in the diagram.

## Step 9 — Installing the Corner Posts & Heater Covers

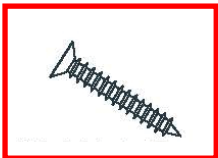


**2 x Corner Posts with Pre-installed Infrared heaters**

Slot the corner posts into place to secure the glass.

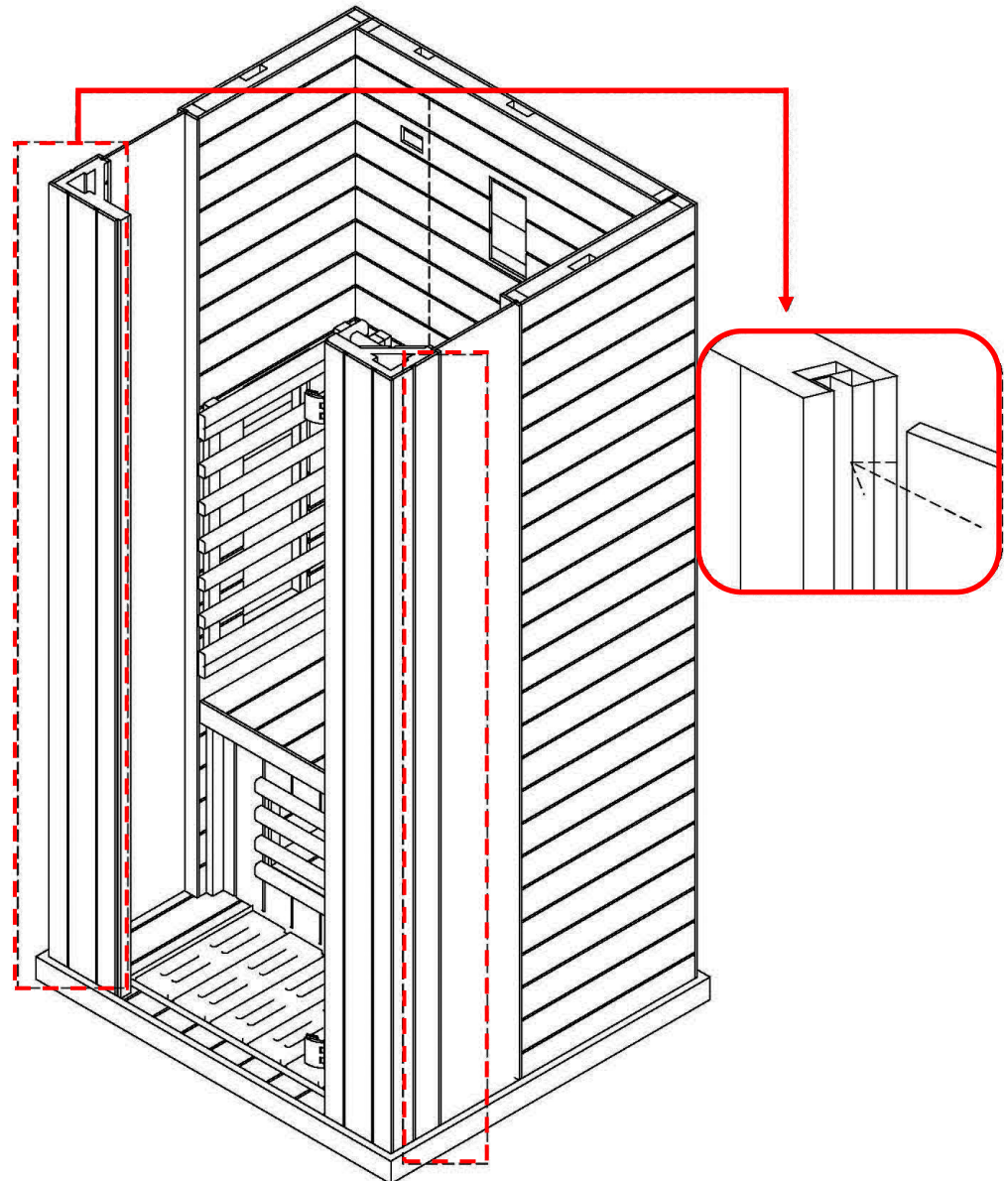


**2 x Metal Grid Heater Covers**

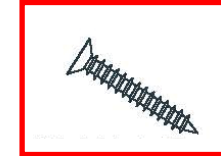
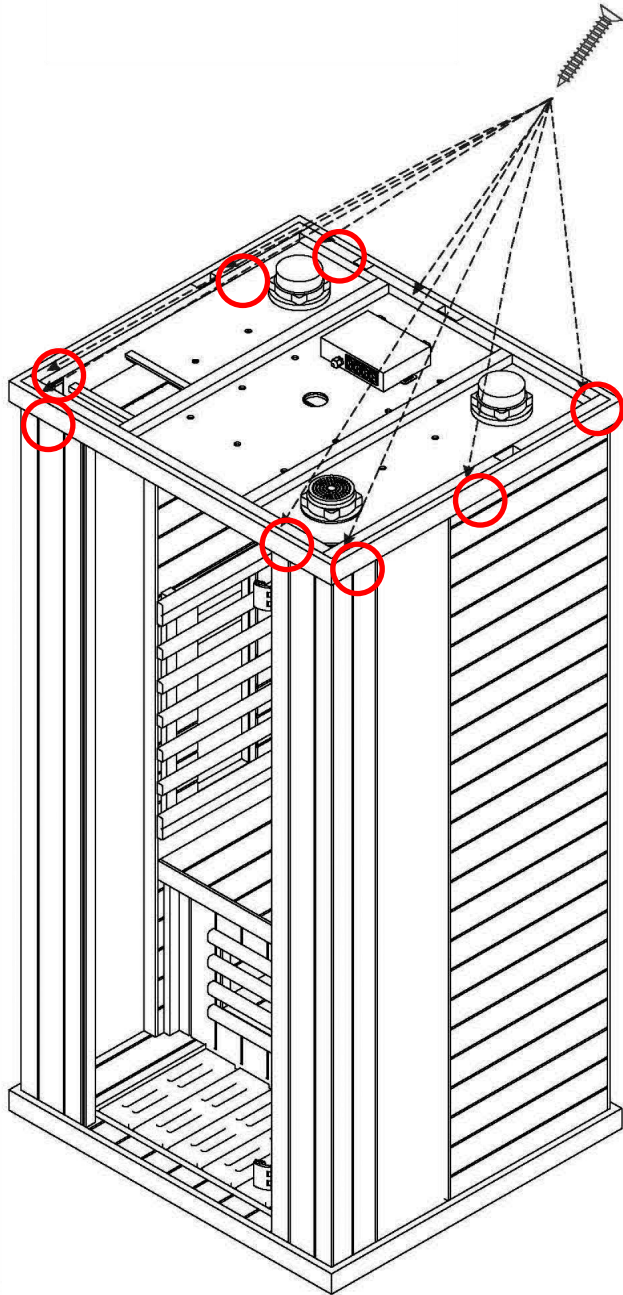


**8 x ST4 18mm Screws**

Position the metal grid covers over the infrared heaters and secure in place by screwing it to each corner of the mesh grid with the ST4 18mm screws provided in the screw pack.



## Step 10 — Installing the Roof

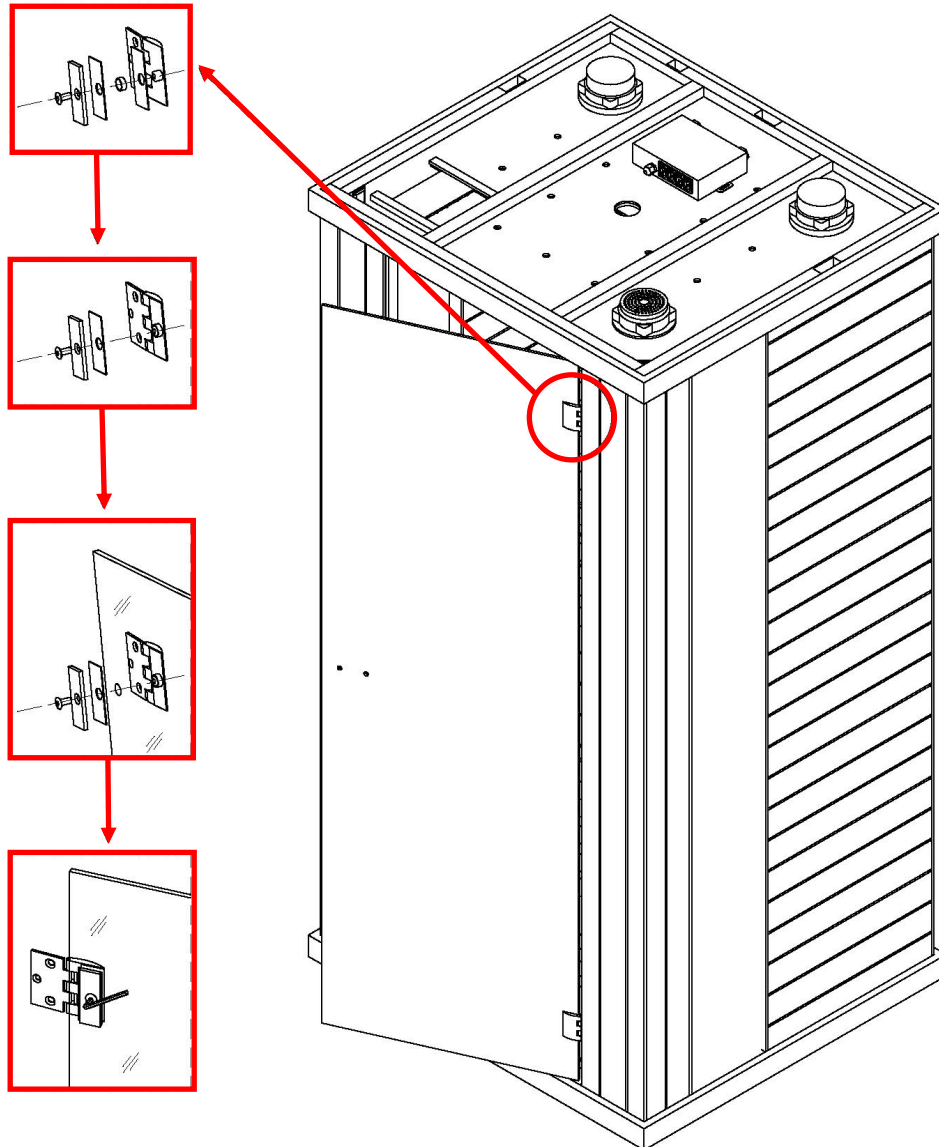


**8 x ST5 60mm Screws**

Carefully place the roof on top of the sauna and secure with the ST5 60mm screws provided in the screw pack.

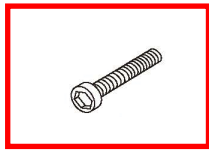


## Step 11 — Installing the Door

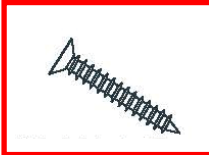


Carefully secure the glass door with the hinges onto the corner post as shown in the diagram using the screws and nuts and washers attached to hinges.

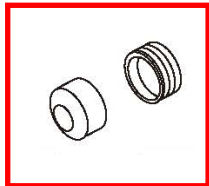
## Step 12 — Installing the Door Handle



2 x M8 45mm Bolts



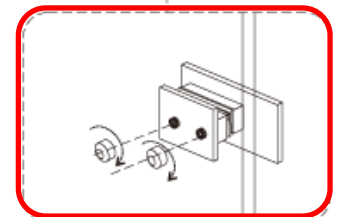
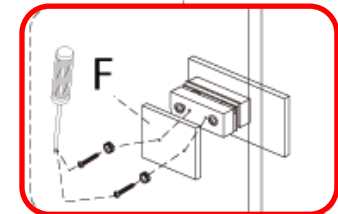
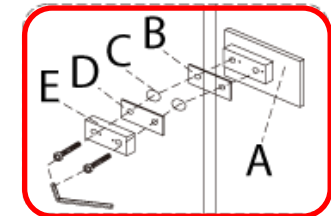
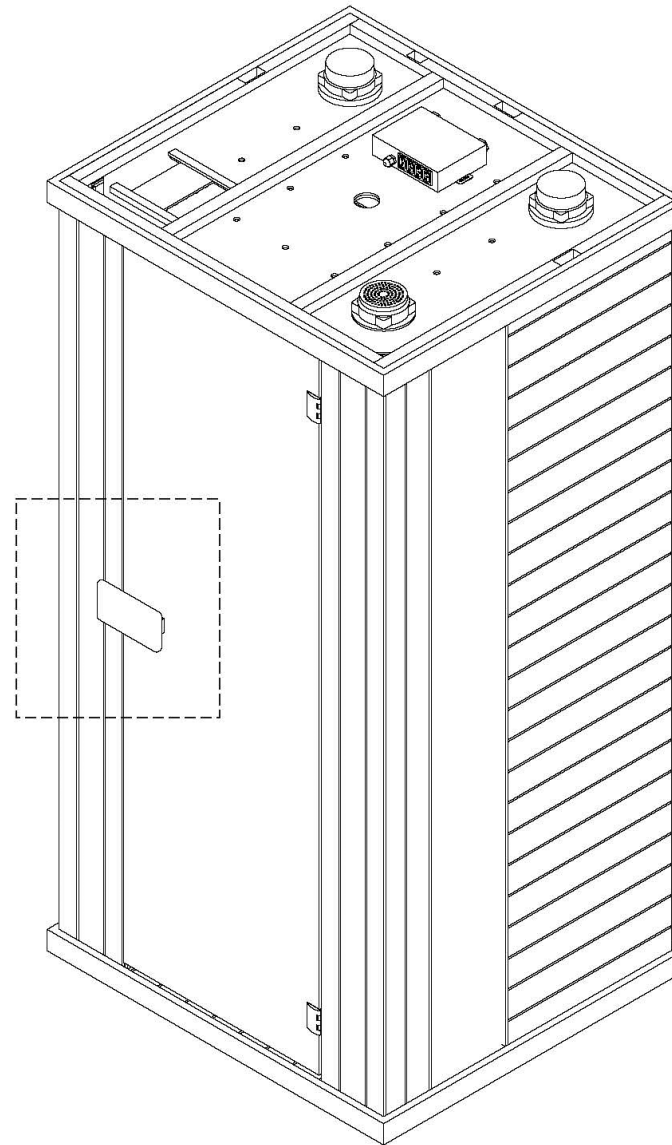
2 x ST4 35mm Screws



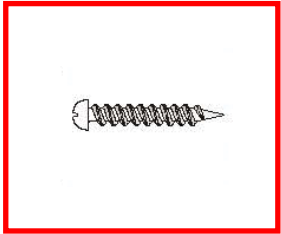
2 x Nuts and Washers

Connect part **A** and **B** from the outside of the glass door together, on the inside of the door connect parts **C**, **D**, and **E** and secure them using the M8 45mm bolts.

Part **F** fits over the M8 45mm bolts, and is secured in place with the use of the screw washers and ST4 35mm screws. Once in position, screw on the chrome caps to finish the assembly.

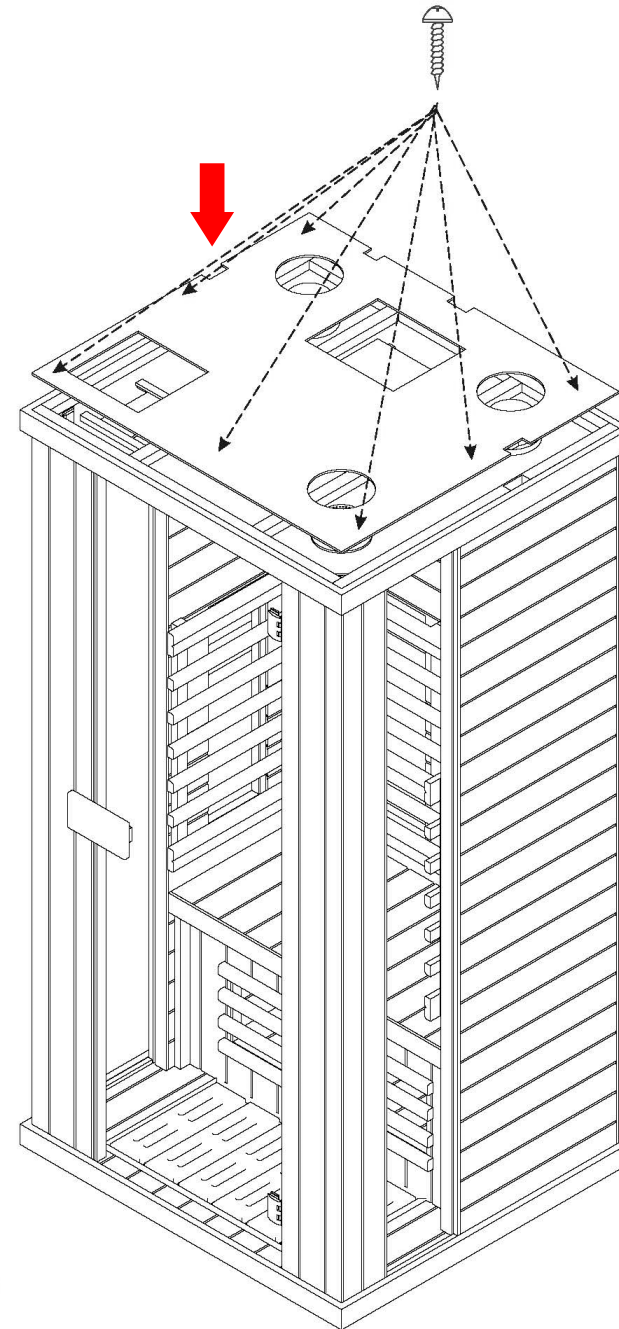


## Step 13 — Installing the Roof Cover



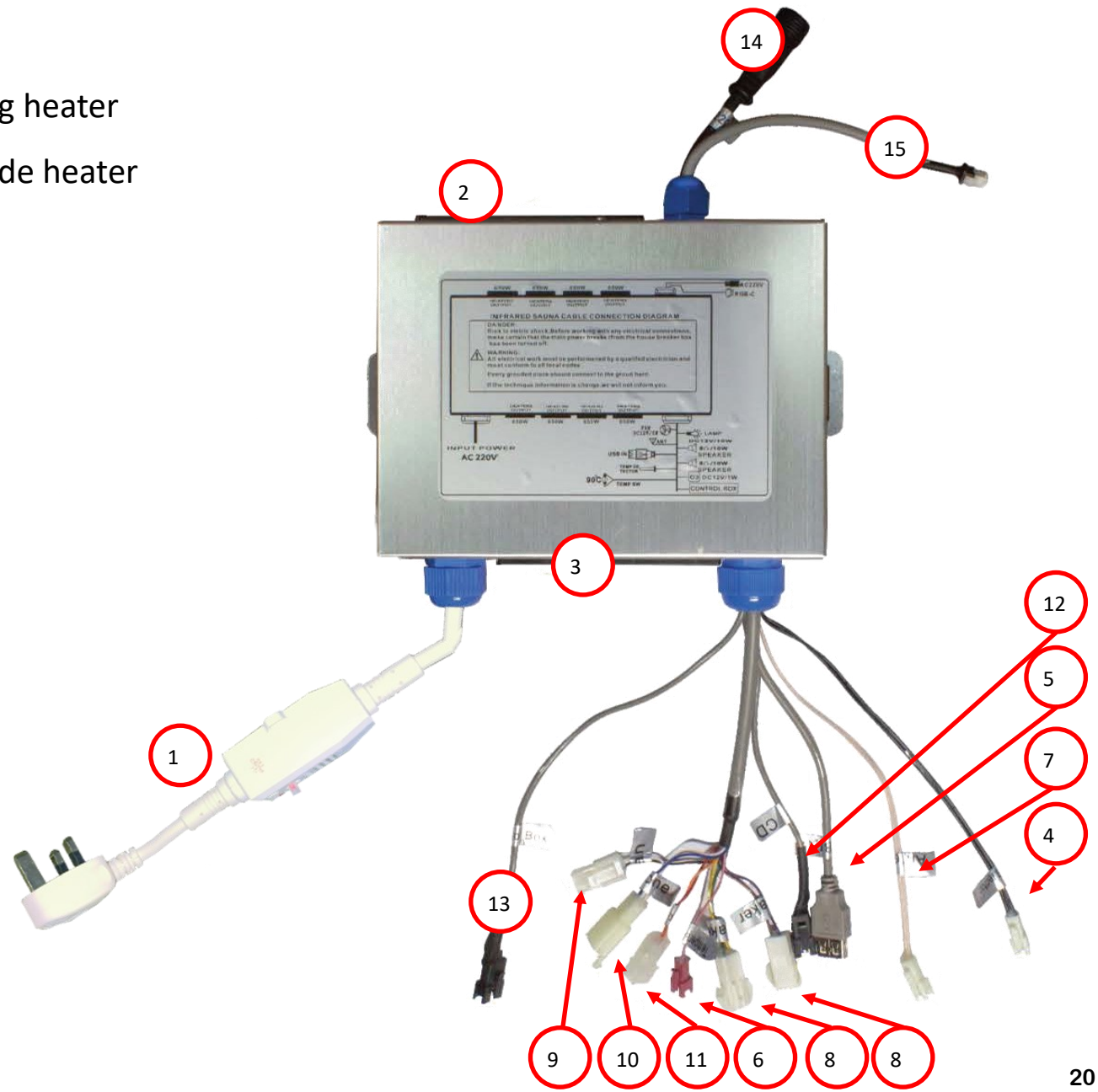
7 x ST4 18mm Screws

Carefully place the roof cover on top of the roof and secure in place using the ST4 18mm screws provided in the screw pack.

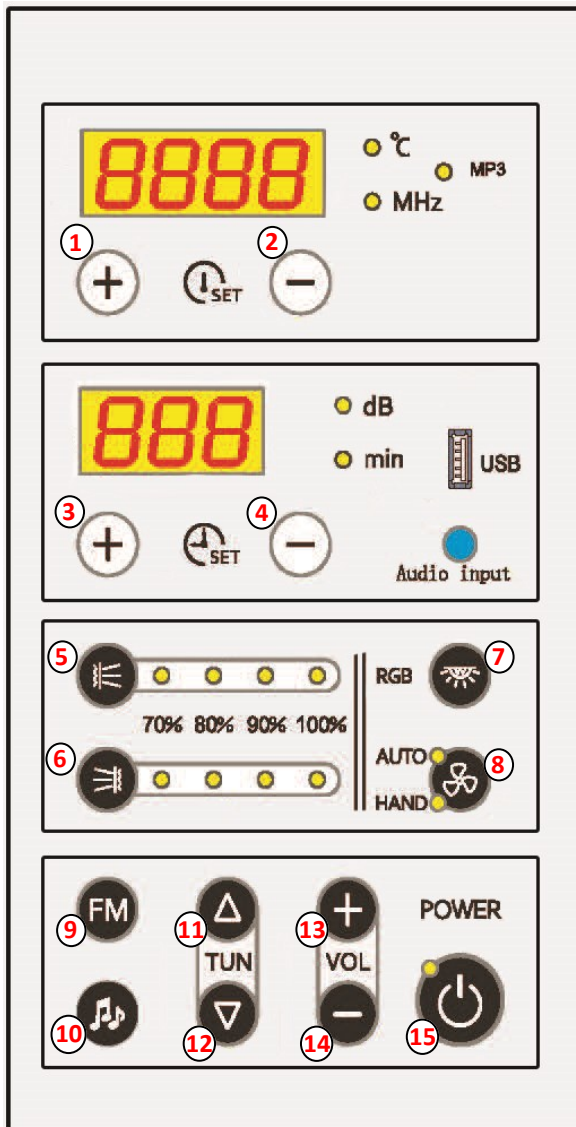


## Step 12 — Electrical Connections

1. Main Power Supply
2. Group A : Connections for back and leg heater
3. Group B : Connections for front and side heater
4. Temperature Detector Wire
5. USB Input
6. Temperature Controller Wire
7. Antenna
8. Speaker Wires
9. Fan Wire
10. Ozone
11. Roof Light
12. CD/MP3 Wire
13. Control Panel Wire
14. AC220V Power Cord
15. Chromotherapy Lighting



# Sauna Control Panel Instructions



## Button 1/2 (+/- Temp)

Cycle through desired temperature setting (max 60°C)

## Button 3/4 (+/- Time)

Cycle through desired time setting (max 99 mins)

## Button 5/6 (Sauna Heaters)

Press to activate Sauna heaters. Pressing once will put the heaters on at 100%. Twice = 90%. Three times = 80%. Four times = 70% and five times = Off.

## Button 7 (Lights)

Press to cycle through the coloured lights. Each press will change colour until a full cycle is completed and they turn off.

## Button 8 (Fan)

Press to turn the fan on, press again to turn it to auto and then a third time to turn it off.

## Button 9 (FM)

Press to turn on the radio. Press and hold to auto tune the radio stations. To change radio station press tune.

## Button 10 (Audio Function)

Cycle through the audio function settings, MP3, USB, Bluetooth or AUX. When playing music through Bluetooth or USB simply use Tune (Button 11/12) to change track.

## Button 11/12 (Tune)

Press and use the +/- to manually search. Hold the buttons down for two seconds to speed scroll.

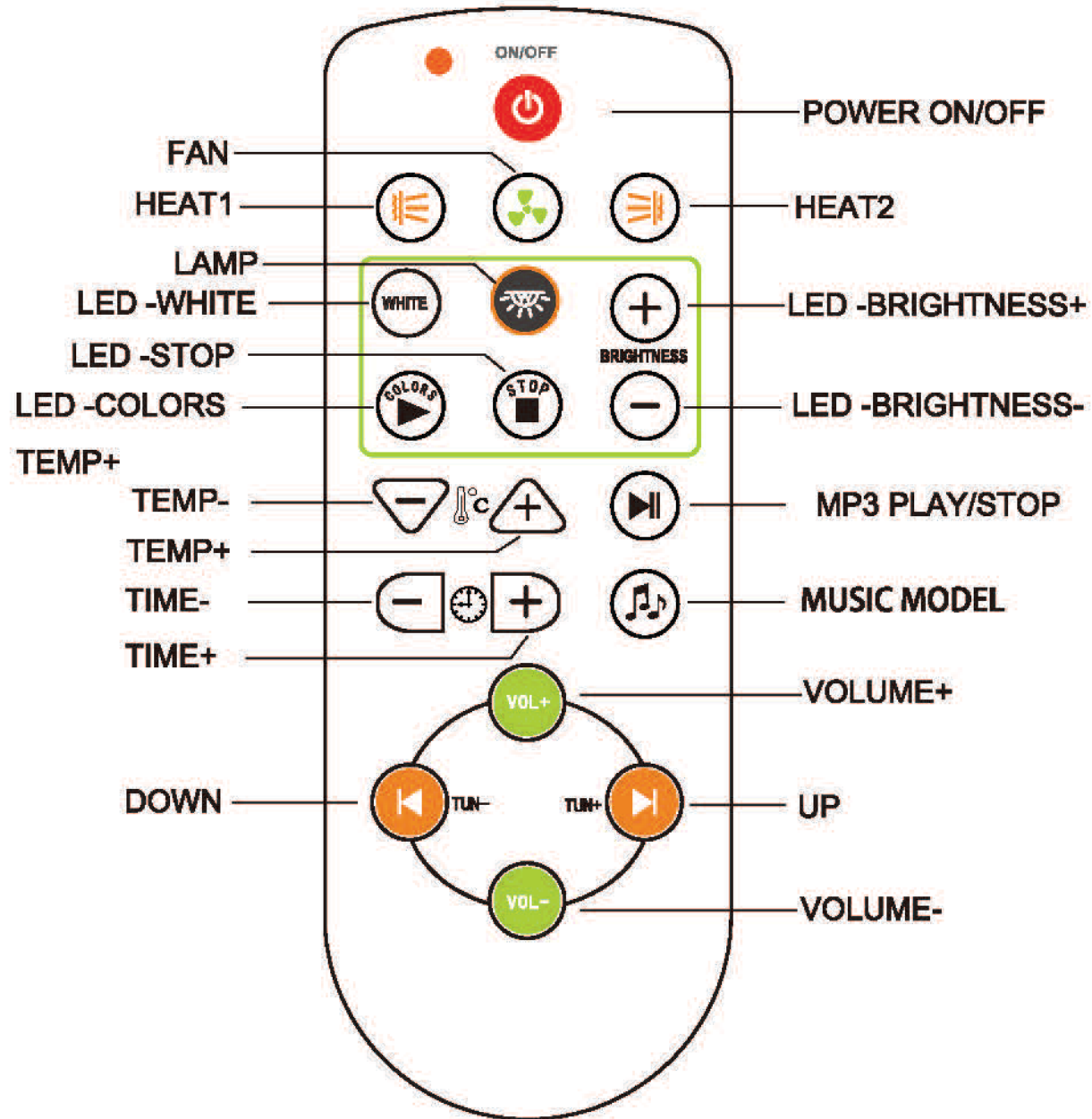
## Button 13/14 (Volume)

Press to cycle through the volume either up or down.

## Button 15 (Power)

Use to power the control panel on or off.

# Remote Control Instructions





## Sauna Usage & Safety Guide

1. Never leave children unattended in the Sauna.
2. Regulate (if preferred) the temperature of sauna before session - Pre-heat time 15-30 minutes (from room temperature 20c)
3. Never touch the heater panels whilst in operation, possible burning may occur.
4. Recommended time of use is a maximum of 15 mins initially. We highly recommend working up in time to this, beginning with 5 minute sessions to get your body used to using a sauna.
5. Suggested operational heat range: Infrared—30° C-40° C. Infrared optimum use range 35°C to 40°C
6. Stay hydrated during each sauna session.
7. Exit the sauna immediately if feeling dizzy, faint or short of breath.
8. Do NOT use the sauna function if you're pregnant, have a heart condition, have low or high blood pressure. If you're unsure consult your GP before use.
9. If you have any underlying health conditions which you feel could be aggravated by an increase in temperature, consult your GP before use.
10. If you begin to have any issues with your health after using a sauna, stop immediately and consult your GP regarding your symptoms before continuing to use.
11. Consult your GP before using the steam room if you're on medication at all, especially with drowsy side effects.
12. Never use the sauna if you have been drinking alcohol or under the influence of other substances.
13. Do not put combustible material on the heaters at any time.
14. Always turn power supply off after use.

## WEEE Compliance Statement

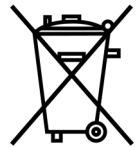
The UK Waste Electrical and Electronic Equipment (WEEE) regulations came into force on 2 January 2007. Under this new legislation, producers of electrical and electronic equipment (EEE) have to fulfil certain obligations.

Under the WEEE directive Insignia is considered the producer of certain products we supply and in line with the demands of the legislation we are pleased to offer the opportunity to return these products to us for treatment and recycling.

Insignia products will generally have an identifying mark and the common crossed out wheelie bin label. We accept returns of all products carrying the Insignia brand. All other products are either considered outside the scope of WEEE or Insignia is not technically the producer of these products. Insignia also accepts historic like-for-like WEEE returns. All WEEE returned to Insignia will be recycled in appropriate treatment and recycling centres in accordance with the legislation. If you wish to return any products to us, please send your item(s) to our head office.

Company Contract No. 326457

WEEE Producer No. CBDU64227



### LABELLING

Products labelled with the WEEE symbol (a crossed out “waste bin”) indicate that the final user should not discard this product along with other household waste, but that it must be collected and treated separately.



### Returns Address for WEEE

Insignia

9a Deans Road, Old Wolverton, Canon Industrial Park, Milton Keynes, Buckinghamshire, MK12 5NA, UK



### EU – Declaration of Performance

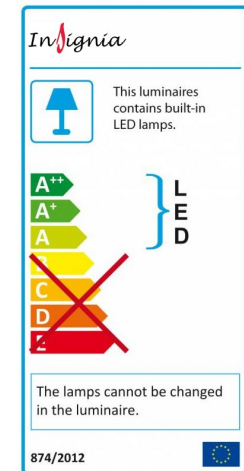
Insignia declares that all its products complies with the essential requirements and other relevant provisions of Directive 305/2011/EC. A copy of the Declaration of performance is available from [www.insigniashowers.com/ce-certification](http://www.insigniashowers.com/ce-certification)

Insignia™ is a registered trademark of Maclean International Ltd, 9a Deans Road, Old Wolverton, Canon Industrial Park, Milton Keynes, Buckinghamshire, MK12 5NA, UK

All images are subject to copyright. Images may not be used in any way shape or form with out written permission from Maclean International Ltd. Images are NOT permitted to be saved, printed or uploaded. Violation of copyright laws are punishable by law.



All images are registered with  
ImageTraker



Insignia™ is a registered trademark of Maclean International Ltd

All images are subject to copyright. Images may not be used in any way shape or form with out written permission from Maclean International Ltd. Images are NOT permitted to be saved, printed or uploaded. Violation of copyright laws are punishable by law.