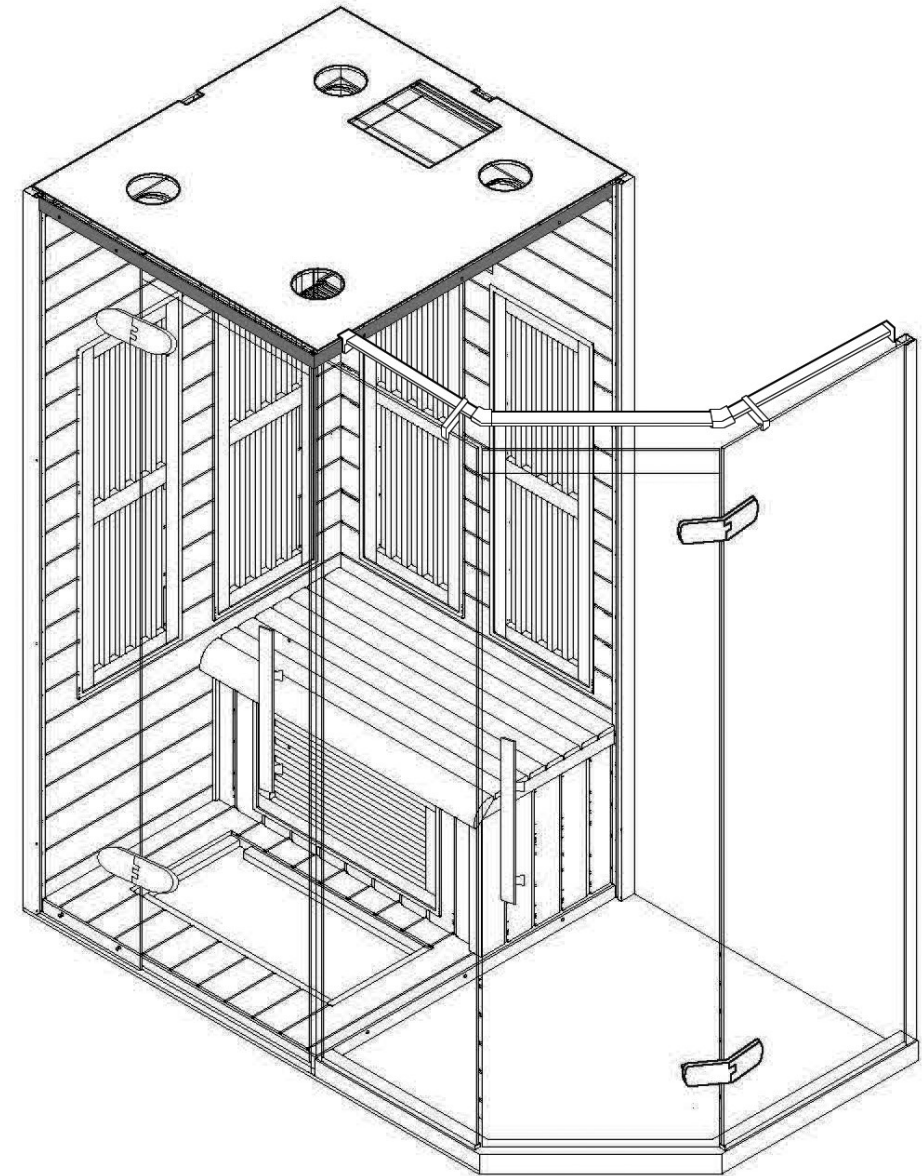




## INSTALLATION MANUAL

KYS2000

Sauna Series



**30 Day Technical Support:**

Call **01908 317512** and request technical support for aiding your installation.

**Replacements Parts:** Inside of your warranty period visit:

<https://www.insigniashowers.com>, click support and make a warranty claim.

**Spares/Replacements Parts:** Outside of your warranty period visit

<https://www.insigniashowers.com/replacement-parts.html>



**ATTENTION INSTALLERS:**

These instructions must be left with the customer

**CHECK ALL CONTENTS BEFORE BUILD COMMENCES. NO RETURNS CAN BE MADE ONCE THE BUILD HAS STARTED AS IT IS DEEMED ACCEPTANCE OF PRODUCT!**

## Contents

Thank you for your purchase	3
Electrical & Tool requirements	4
Box contents	5
Sauna Side Panel and Back Panel Install	6
Floor Placement	7
Bench Install	8
Bench Electrics Connection	9
Bench Seat Install	10
Central Glass Partition Install	11
Fixed Glass Panel Install (Sauna)	12
Roof Install	13
Central Upright Connection	14
Door Install (Sauna)	15
Door Handle Install (Sauna)	16
Roof Cover Install	17
Shower Base Frame Install	18
Shower Upright Install	19

Fixed Glass Panel Install (Shower)	20
Door Install (Shower)	21
Shower Support Bar Install	22
Door Handle Install (Shower)	23
Sauna Control Panel Instructions	24
Sauna Room Safety Guide	25
WEEE Compliance Statement	26

*Thank  
You*

Thank you for your recent purchase of an Insignia Sauna. Please read this booklet with great care to ensure you get the best out of your build and have a Sauna that will last for many years to come! Like everything, in order to obtain a first class product that will serve you well for many years, the effort and correctness put into the assembly will reflect in the quality of your finish.

## Electrical Requirements Model KYS2000

Voltage Rating	220-240AC
Frequency Rating	50Hz
Power Rating	1597 Watts
Total Amperage	6.7 Amps

Always consult a qualified Electrician before connection as to suitability Always Obtain Relevant Certification (minor Works Part P etc) This Sauna must comply with current UK bathroom regulations Your electrical contractor will understand ALL legal requirements of connection before undertaking any work or installation.

**UNDER NO CIRCUMSTANCES UNDERTAKE THIS YOURSELF. ALWAYS USE AN ELECTRICAL CONTRACTOR AND ENSURE LEGAL CERTIFICATION IS GIVEN ON COMPLETION**

Note for electrician:

- 1) Connect within current laws and IP directives.
- 2) (Preferred) Wire into isolated fused feed connecting directly to the house consumer/service box.

Always use protection against electrical surge. Your shower should be treated the same as a home computer. A surge protector should eradicate the possibility of burn out. Subject to connection type, electrical work needs to be signed off by a fully qualified operative by law. Failure to adhere to this will not only void your electrical warranty for your sauna but could void your house insurance.

## Tools Required

- Scissors
- Knife
- Spirit Level
- Tape Measure
- Philips Screwdriver
- Electric Drill
- Safety Gloves
- Safety Glasses

## What's in the Boxes?

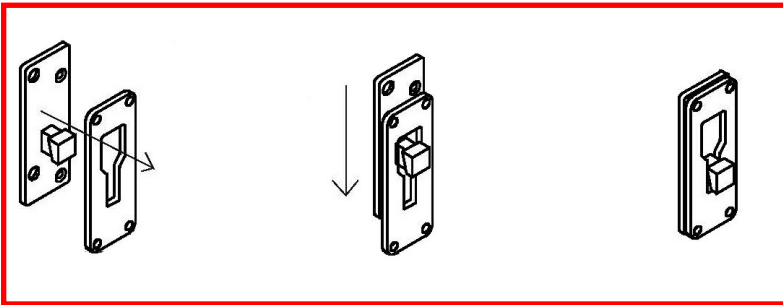
Contents	Quantity	✓
Roof	1	[ ]
Floor	1	[ ]
Middle Partition Glass Panel	1	[ ]
Wooden Side Panel	1	[ ]
Wooden Back Panel	1	[ ]
Accessories	1	[ ]
Door Handle	1	[ ]
Door Hinge	4	[ ]
Sauna Door	1	[ ]
Central Upright Connector	1	[ ]
Magnetic Seal	4	[ ]
Rear Door Seal	2	[ ]

Contents	Quantity	✓
Bench Top	1	[ ]
Bench Side	1	[ ]
Bench Front	1	[ ]
Shower Fixed Glass	2	[ ]
Shower Door	1	[ ]
Fixed Glass Securing Plates	2	[ ]
Shower Wall Corner Connection	1	[ ]
Shower Framework Base	3	[ ]

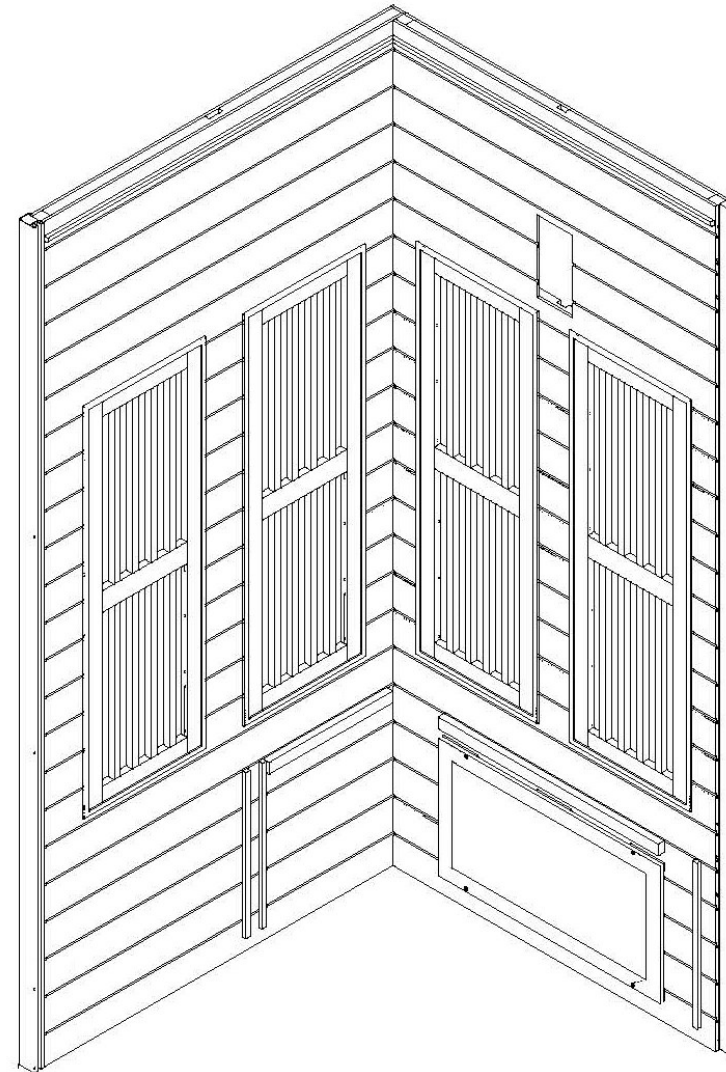
### VERY IMPORTANT

Have you got everything? If not please contact the Insignia directly on **01908 317 512**. Remember **NEVER** book your tradesman until everything has arrived, been checked and is present. No replacement/missing parts can be obtained free of charge during or after the build. Any claims can only be within the timescale permitted (48 hours after delivery) and always **BEFORE** build.

## Step 1 — Installing the back and side panel (Sauna)



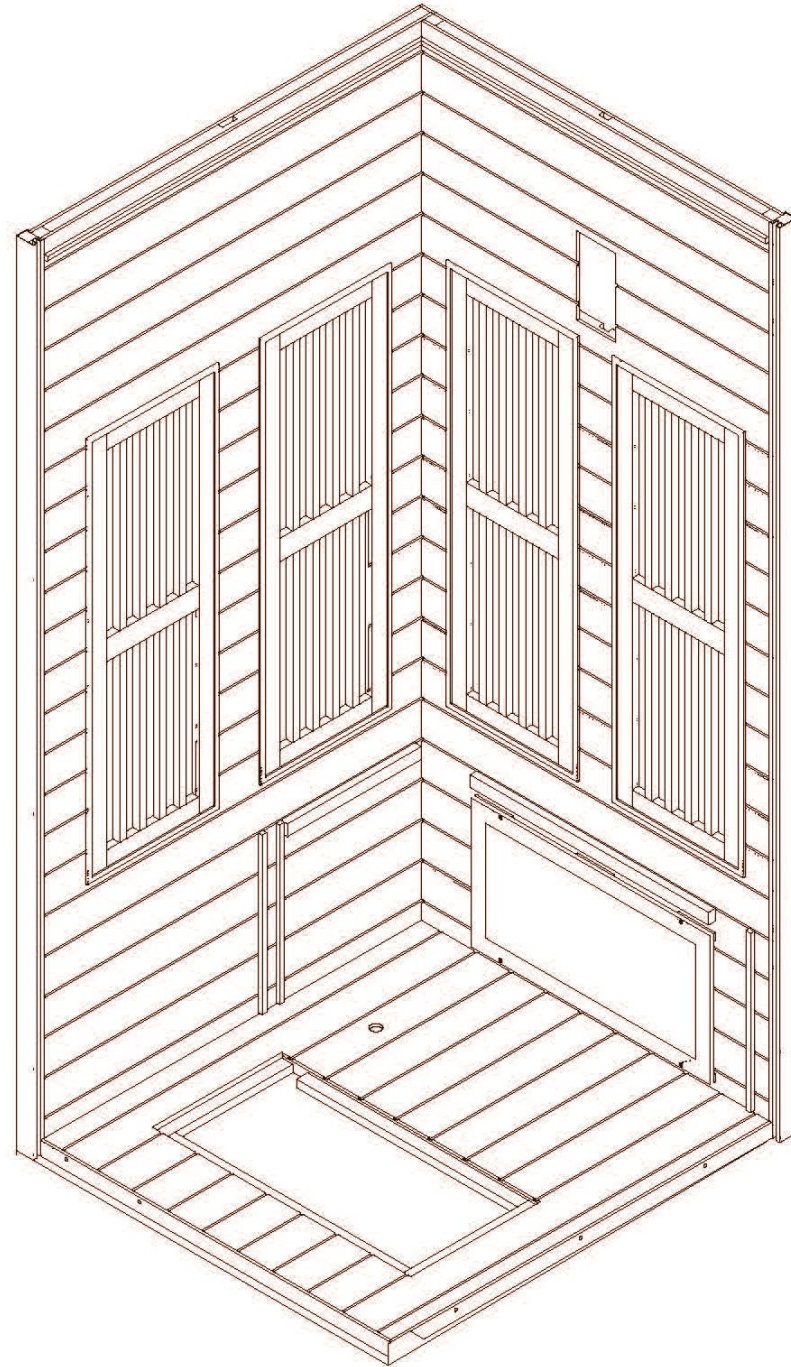
The panel connection brackets are shown (above). Lift panels and locate the interlocking connection brackets and push the panel down to secure into position. Locate both panels onto the wooden side of the base.





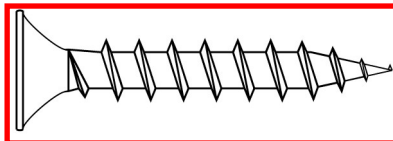
## Step 2 — Placing the floor into position

Locate the floor and place into position by pushing it up to the side and back panel tightly.



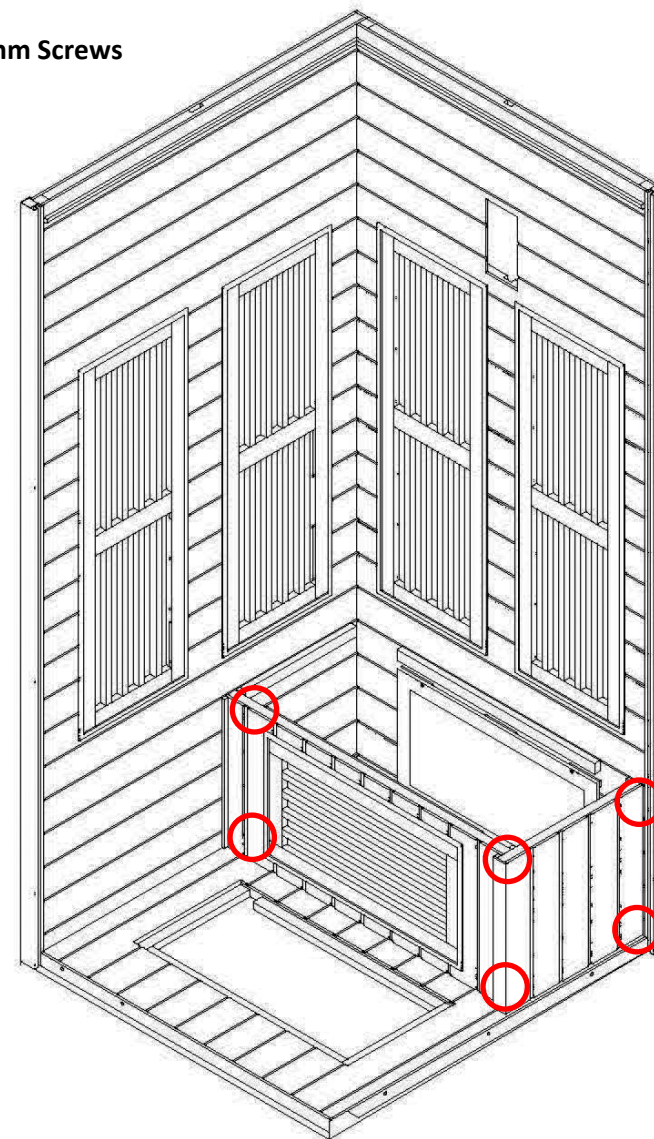
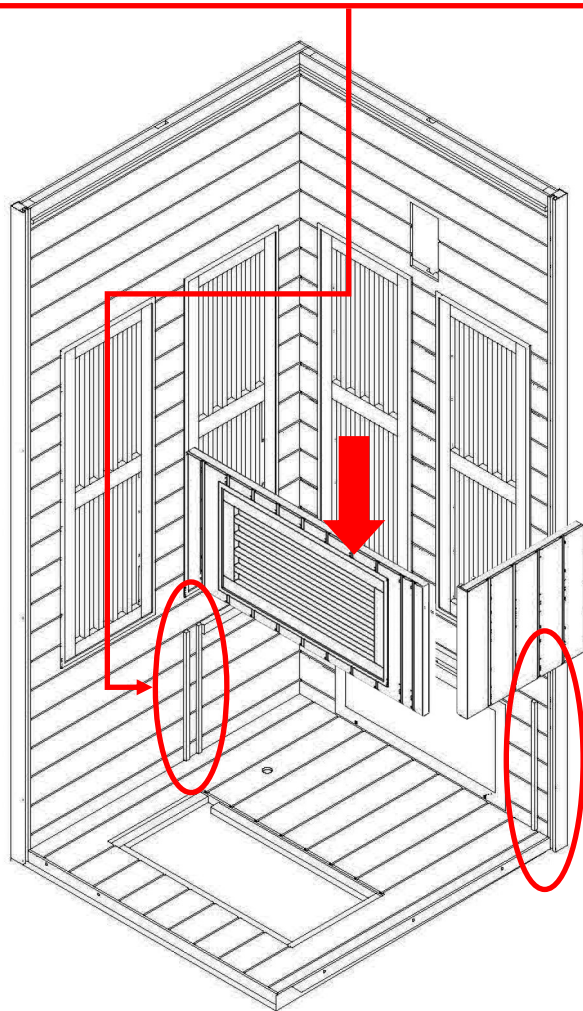
### Step 3 — Installing the bench

Locate the bench front and place between the two wooden struts on the side panel to secure it into position.  
Locate the bench side and place between the wooden struts on the back panel to secure into position.



6 x 50mm Screws

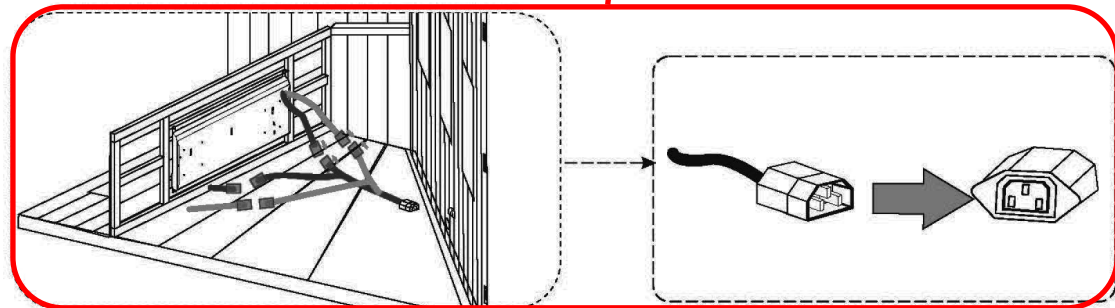
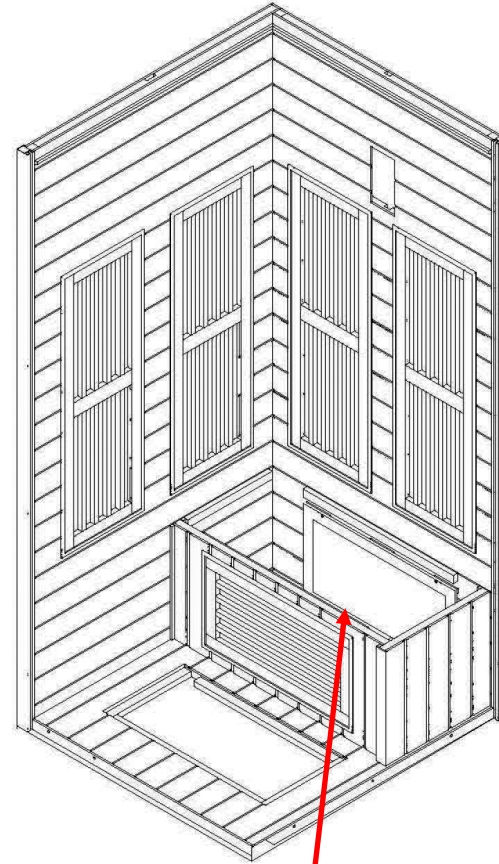
On the inner side of the bench, locate the 50mm screws and secure the bench pieces to the floor, panels and each other.



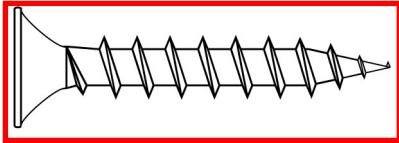


## Step 4 — Connecting the heater electrics

Locate the wires and connect together before finishing the bench install.

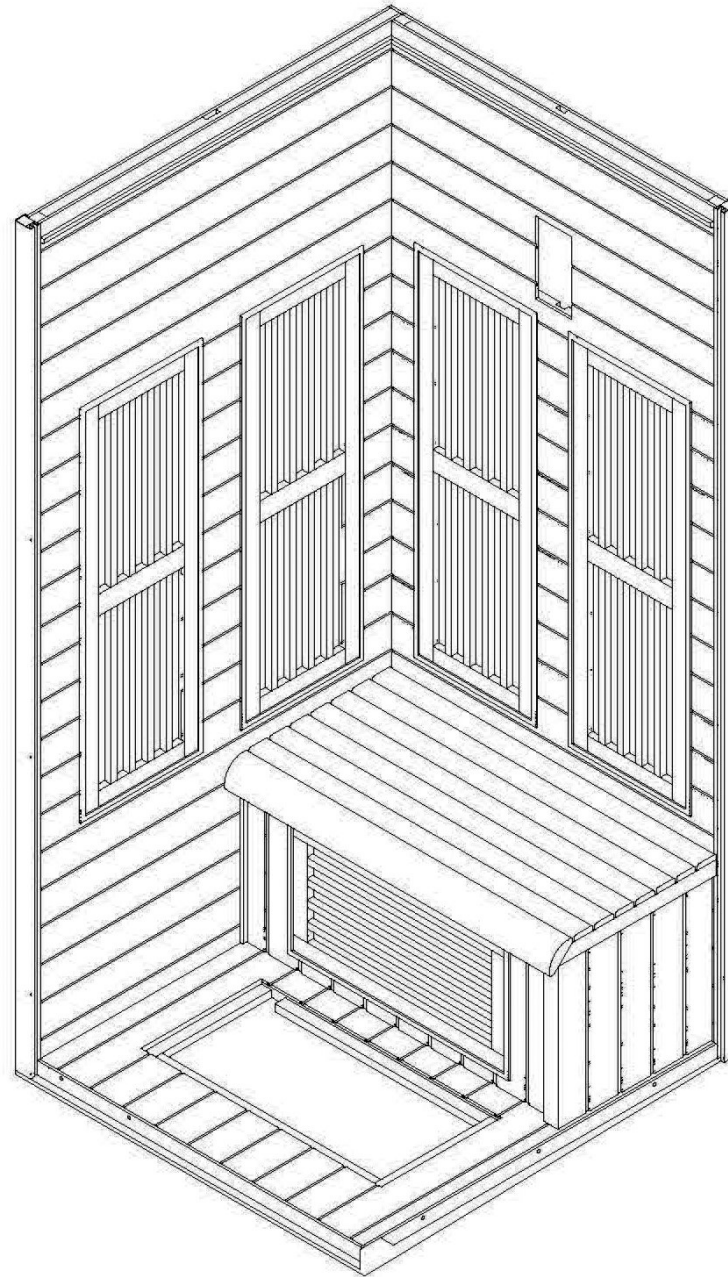


## Step 5 — Installing the bench topper

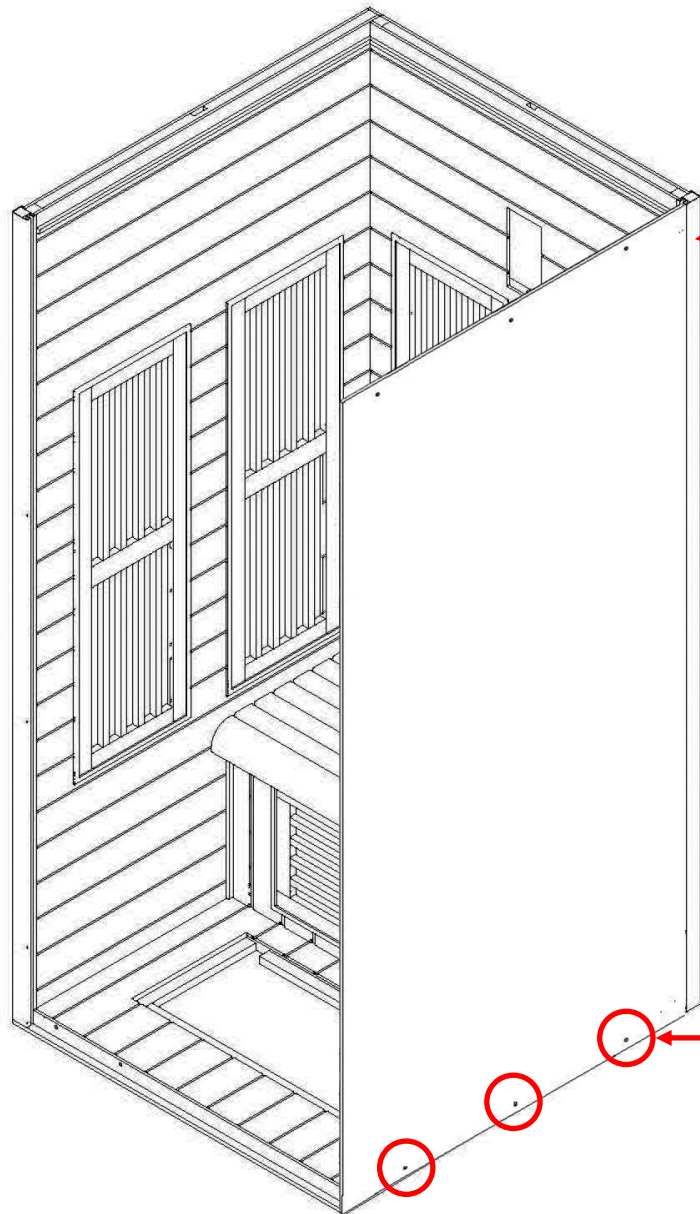


2 x 60mm Screws

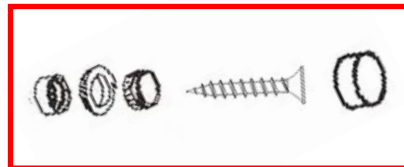
Locate the bench seat and slide into position. The underside of the bench top will have a grooved recess which fits over the bench uprights.



## Step 6 — Installing the central glass partition



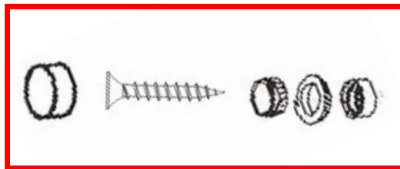
Locate the central glass partition panel and slide it into the connecting upright on the back panel.



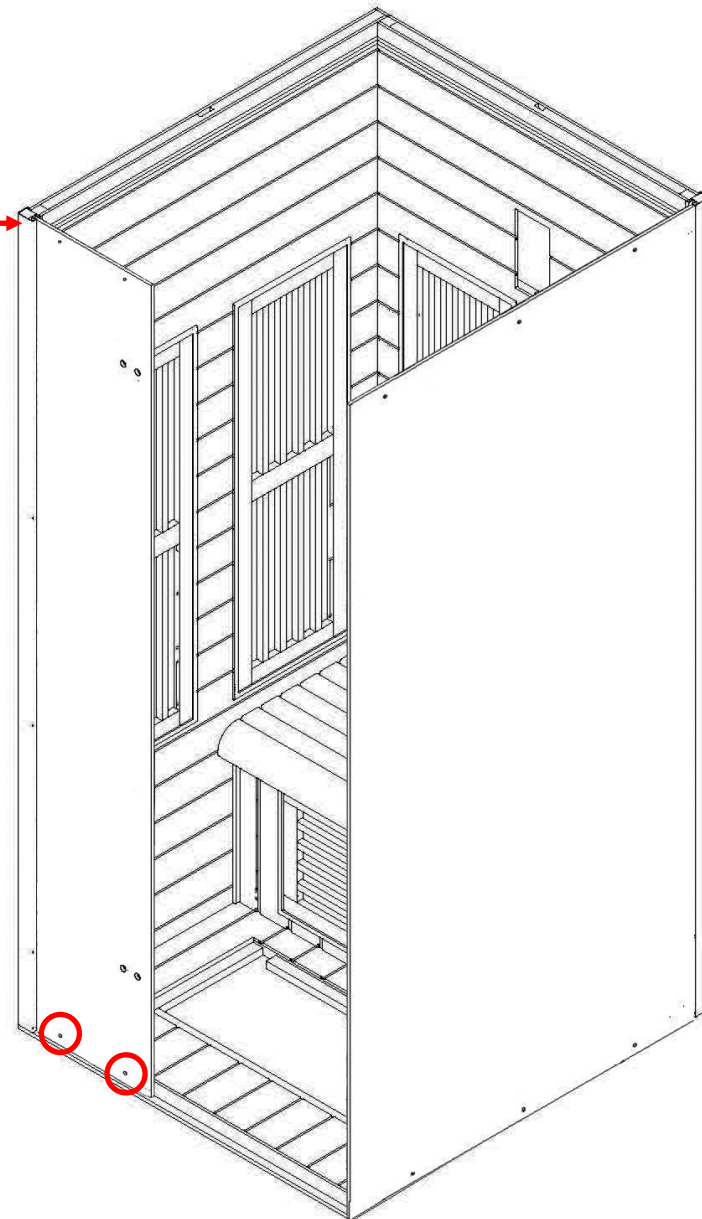
Secure in position by using the screw and spacer combo provided. Place the plastic glass spacer through the glass, then the washer and countersunk plastic head. Place the screw through all three and screw to secure, then place the chrome finishing cap in position.

## Step 7 — Installing the front fixed glass panel

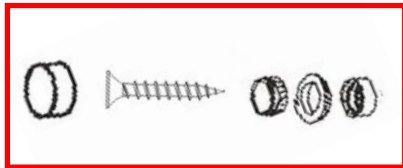
Locate the front fixed glass panel and slide it into the connecting upright on the left side panel.



Secure in position by using the screw and spacer combo provided.  
Place the plastic glass spacer through the glass, then the washer and countersunk plastic head. Place the screw through all three and screw to secure, then place the chrome finishing cap in position.

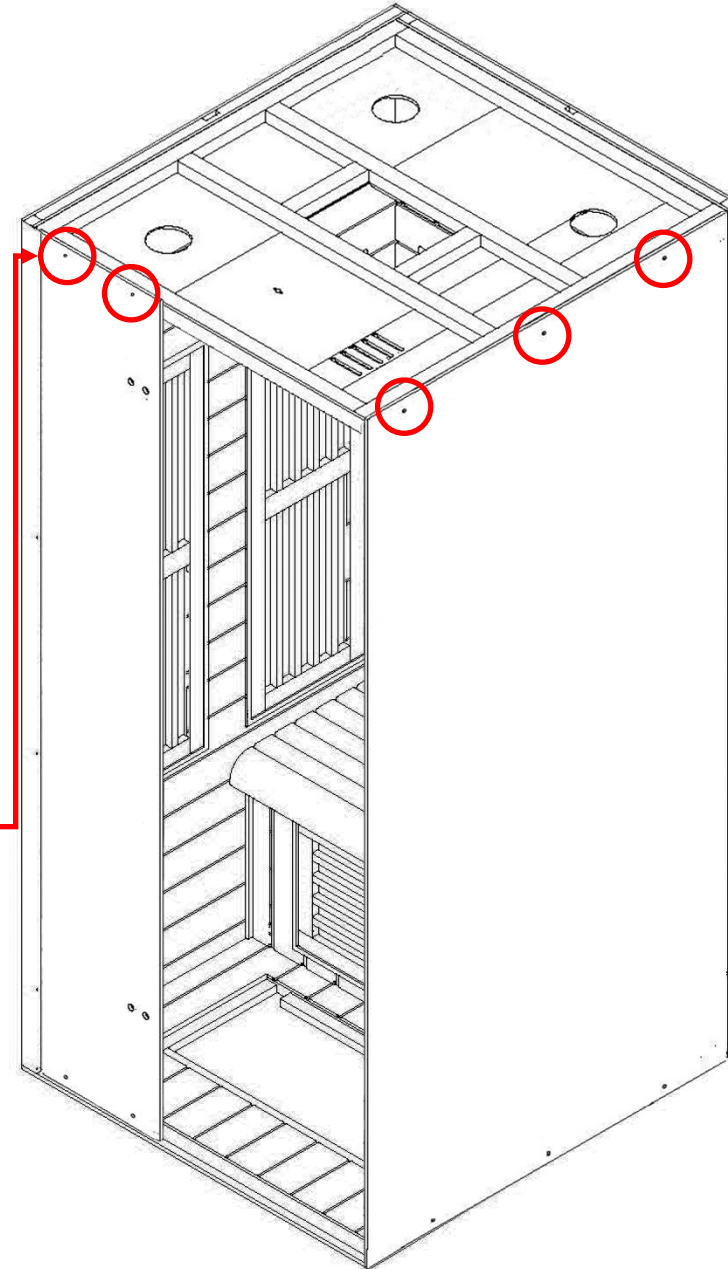


## Step 8 — Installing the Roof



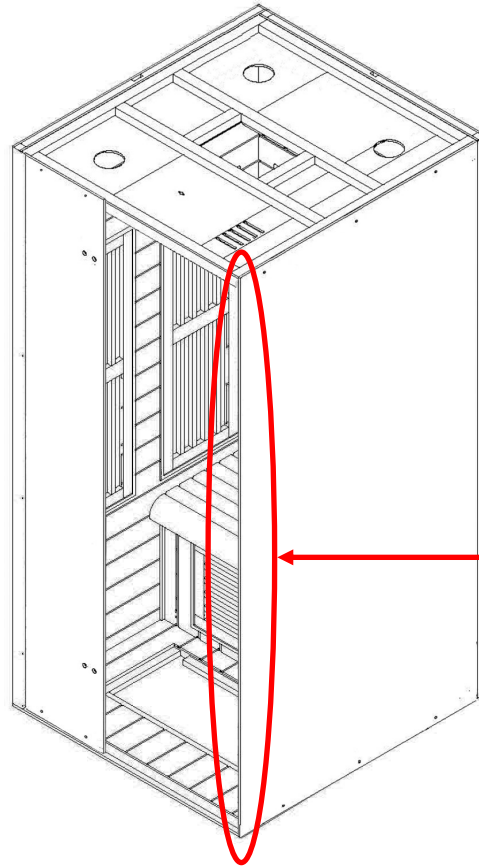
Locate the roof and place in position, then secure by using the screw and spacer combo provided.

Place the plastic glass spacer through the glass, then the washer and countersunk plastic head. Place the screw through all three and screw to secure, then place the chrome finishing cap in position.



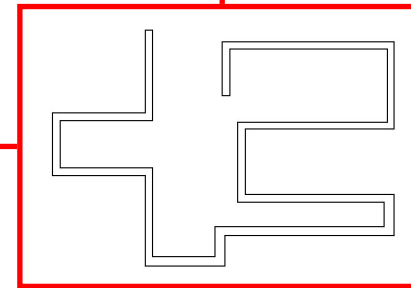


## Step 9 — Installing the Sauna/Shower front connection upright

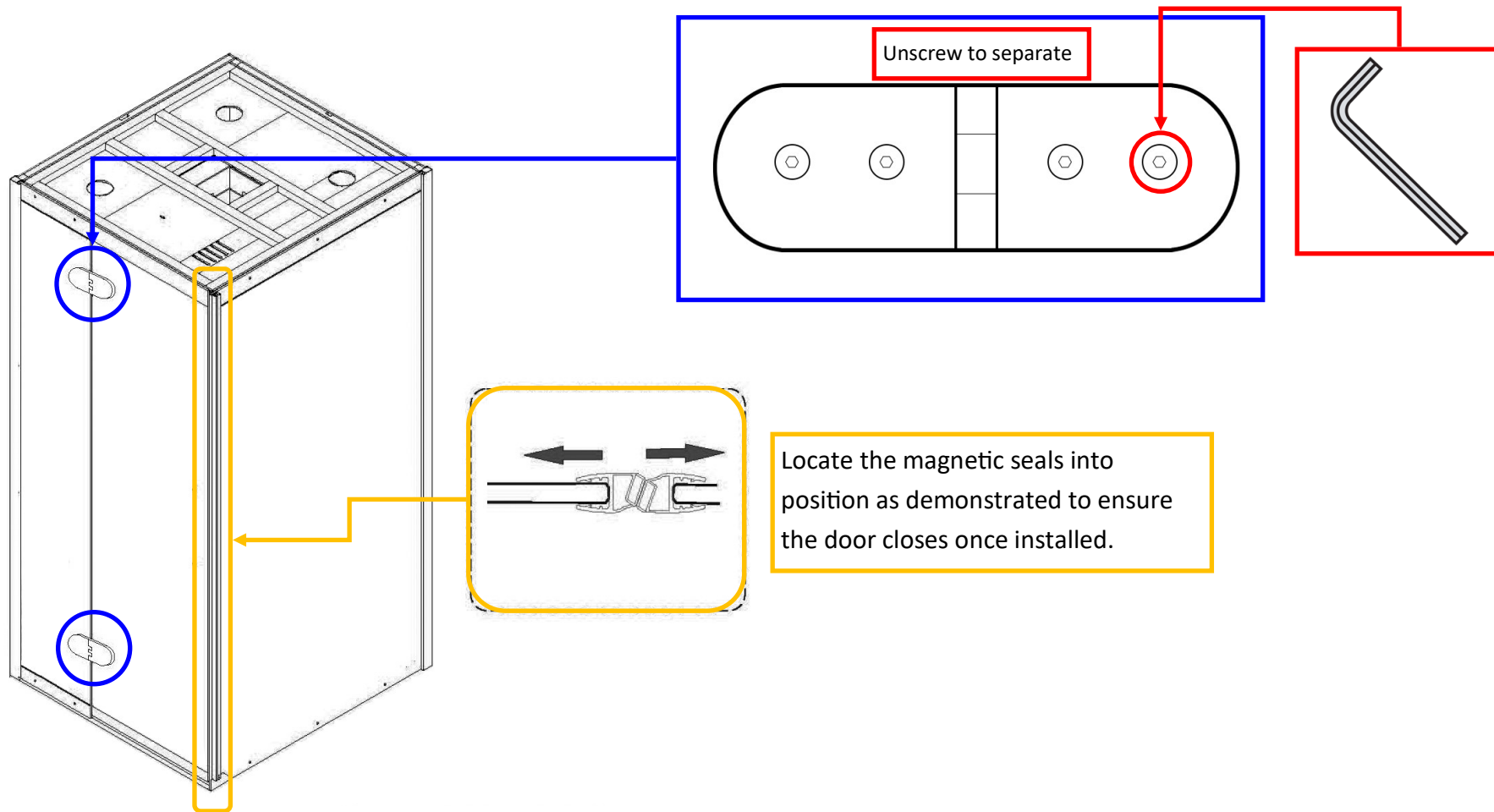


Locate the metal connection upright and slot it onto the central glass partition panel. This will be a secure and tight fit. If it is too tight, slightly slacken off the roof connection to ease the upright into position.

Ensure you retighten the roof afterwards.



## Step 10 — Installing the Door

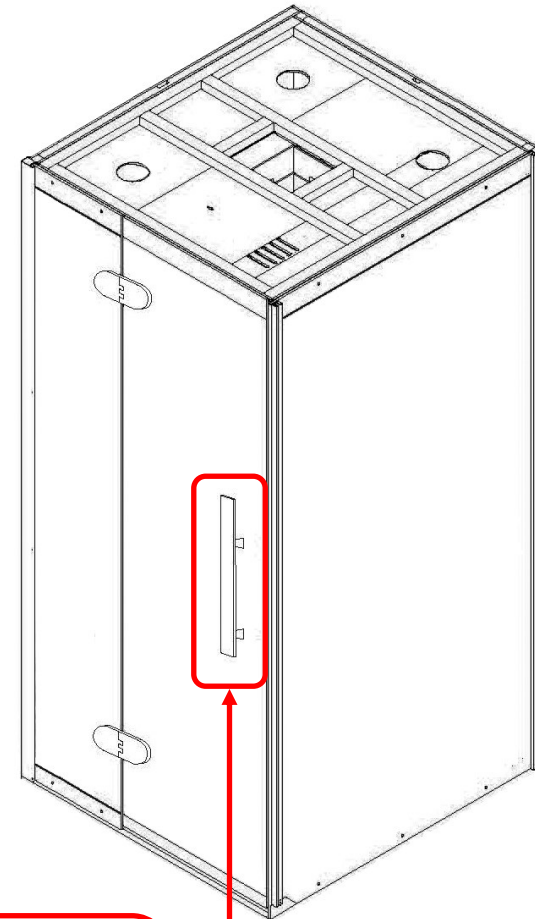
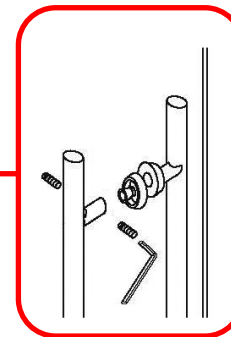
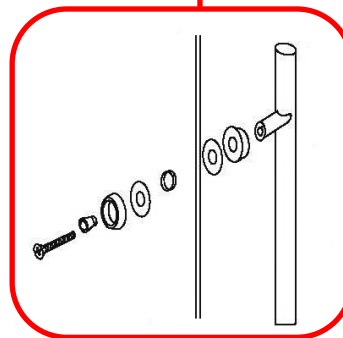
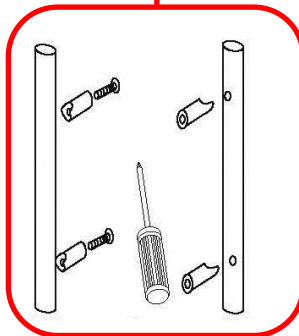
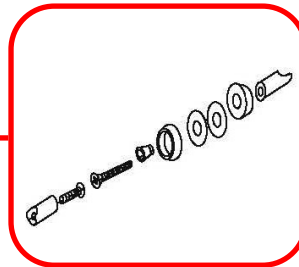


Attach the door hinge to the fixed glass panel before installing the door.

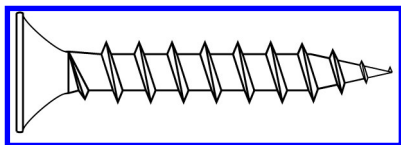
Lift the door into position and then fix the door into the hinges. To realign the door, loosen the bolts slightly, reposition and then retighten. Repeat this process until alignment is perfect.

## Step 11 — Door Handle Install

Separate the door handle using an Allen key and screwdriver. Once separated, align each handle and the connecting pieces on either side of the door and reconnect the handle.

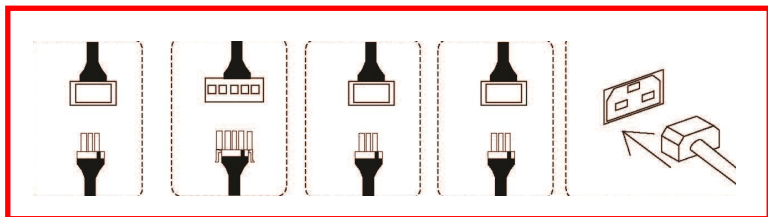
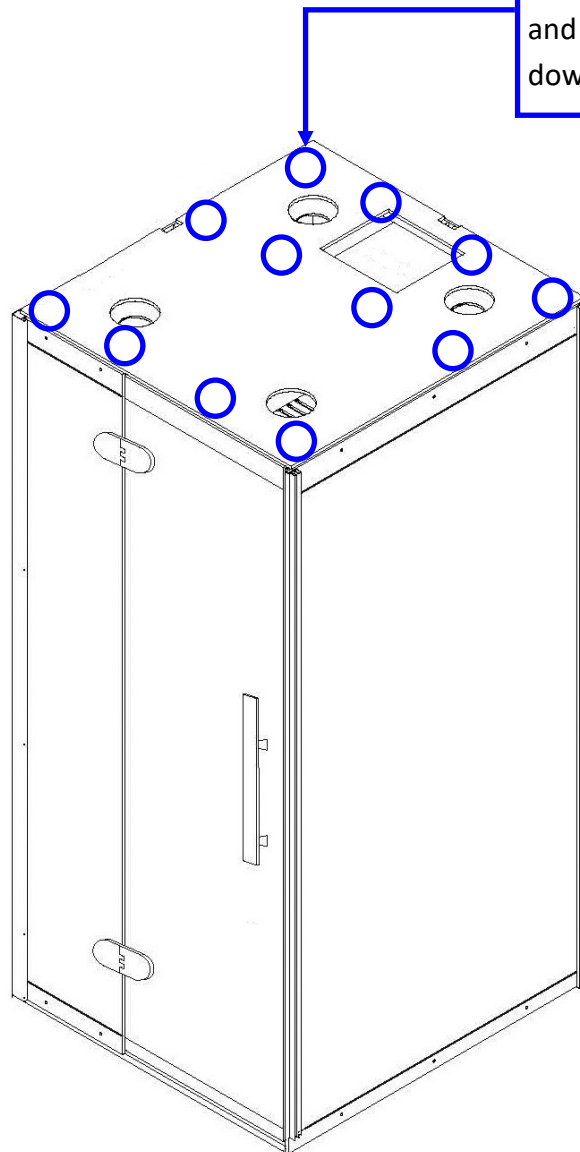


# Step 11 — Roof Cover/Electrics Install

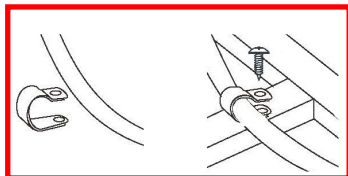


12 x 12mm Screws

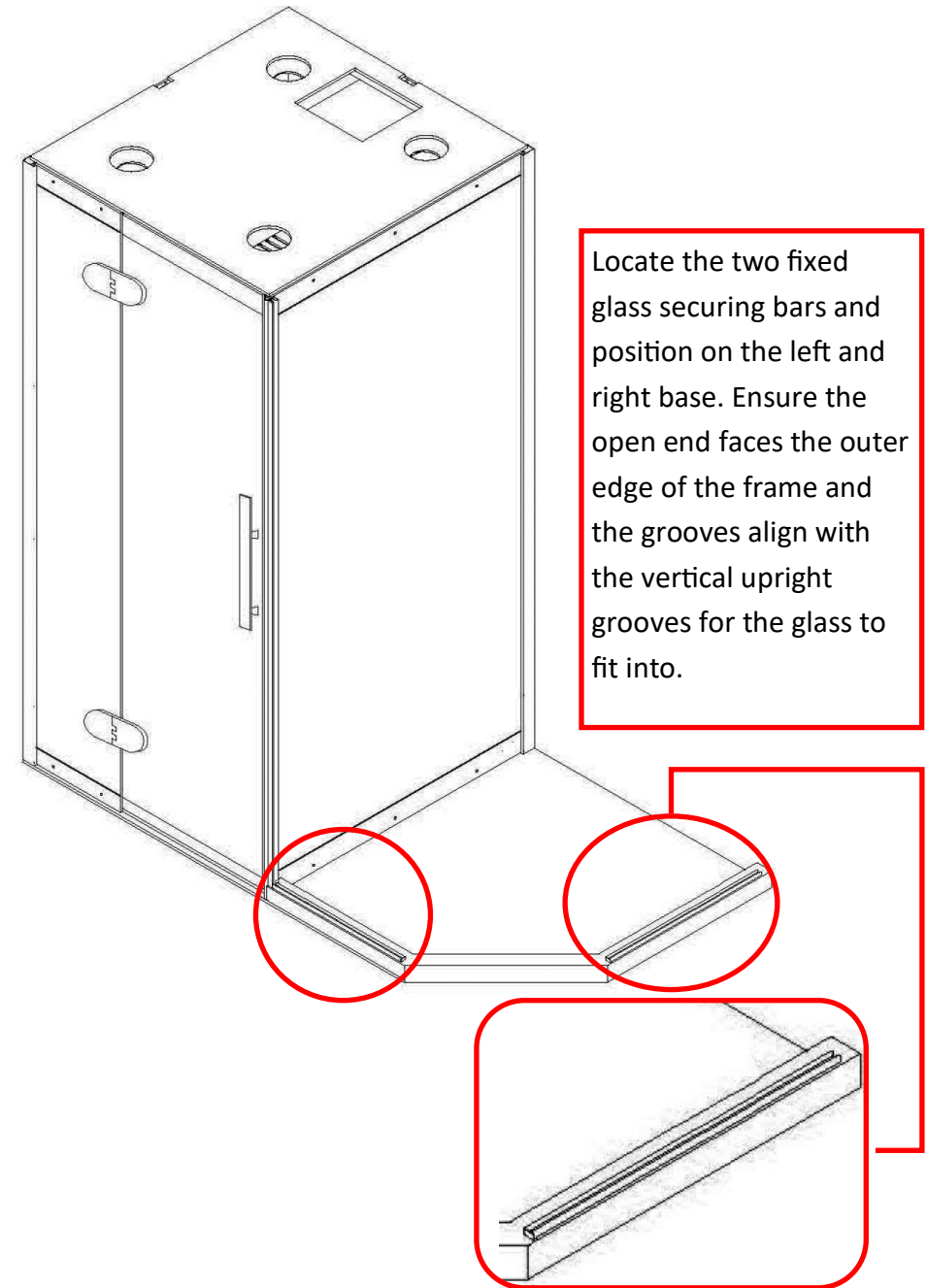
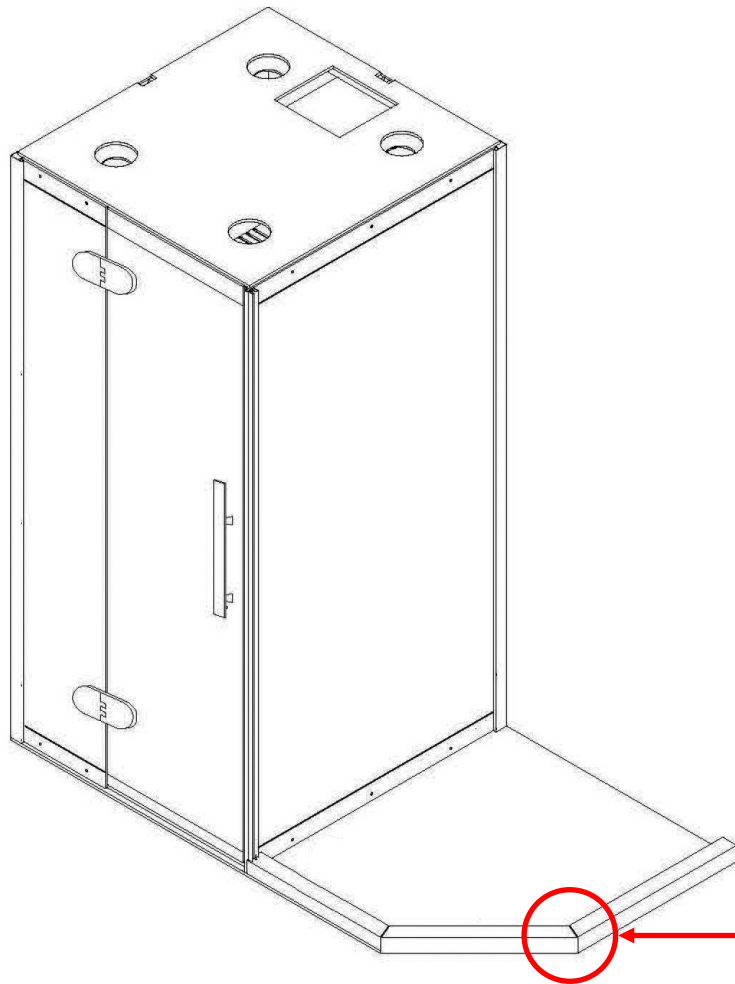
Once the electrics have been installed, locate the roof topper and place in position and screw down using ST12 Screws.



Locate all wires on top of the sauna and connect to the corresponding connection from the wires from the back and side panels. Use the cable ties to secure wires neatly to the roof.

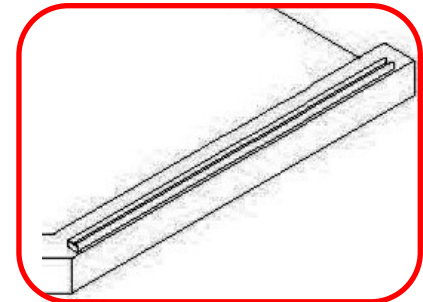
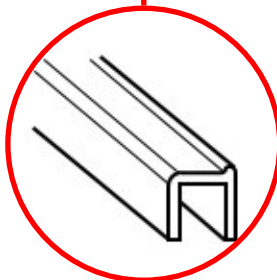


## Step 12 — Installing the Shower base frame



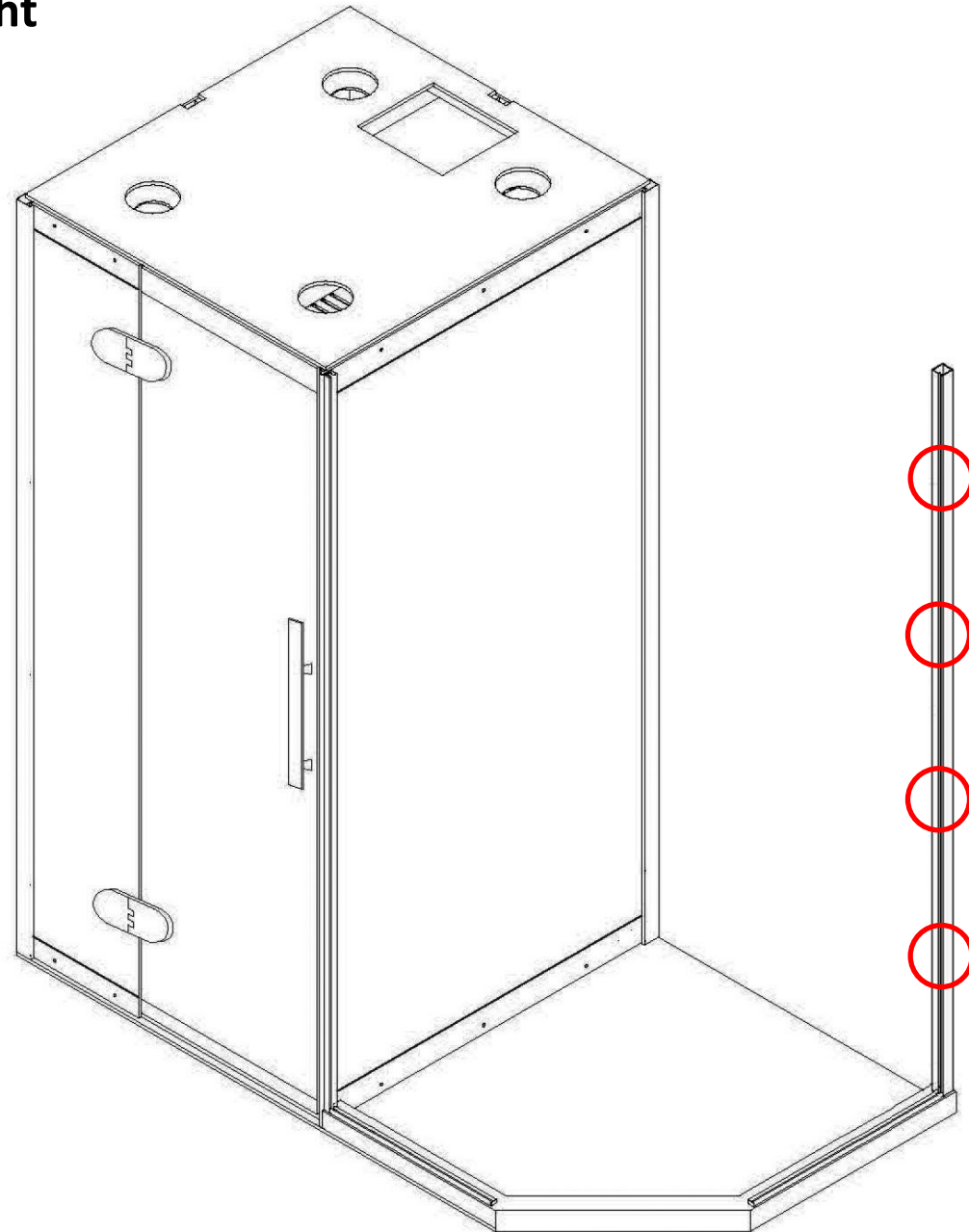
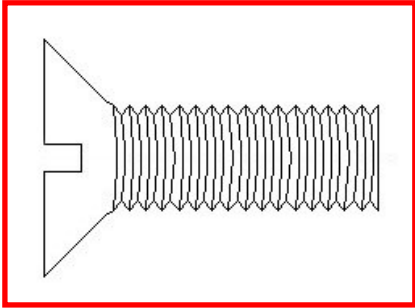
Locate the two fixed glass securing bars and position on the left and right base. Ensure the open end faces the outer edge of the frame and the grooves align with the vertical upright grooves for the glass to fit into.

Align the three shower frame base pieces in the shape shown (above). The raised lip of the base should be facing the outer edge. Once aligned and in position, secure the pieces together using a bonding agent.





## Step 13 — Installing the Shower Upright

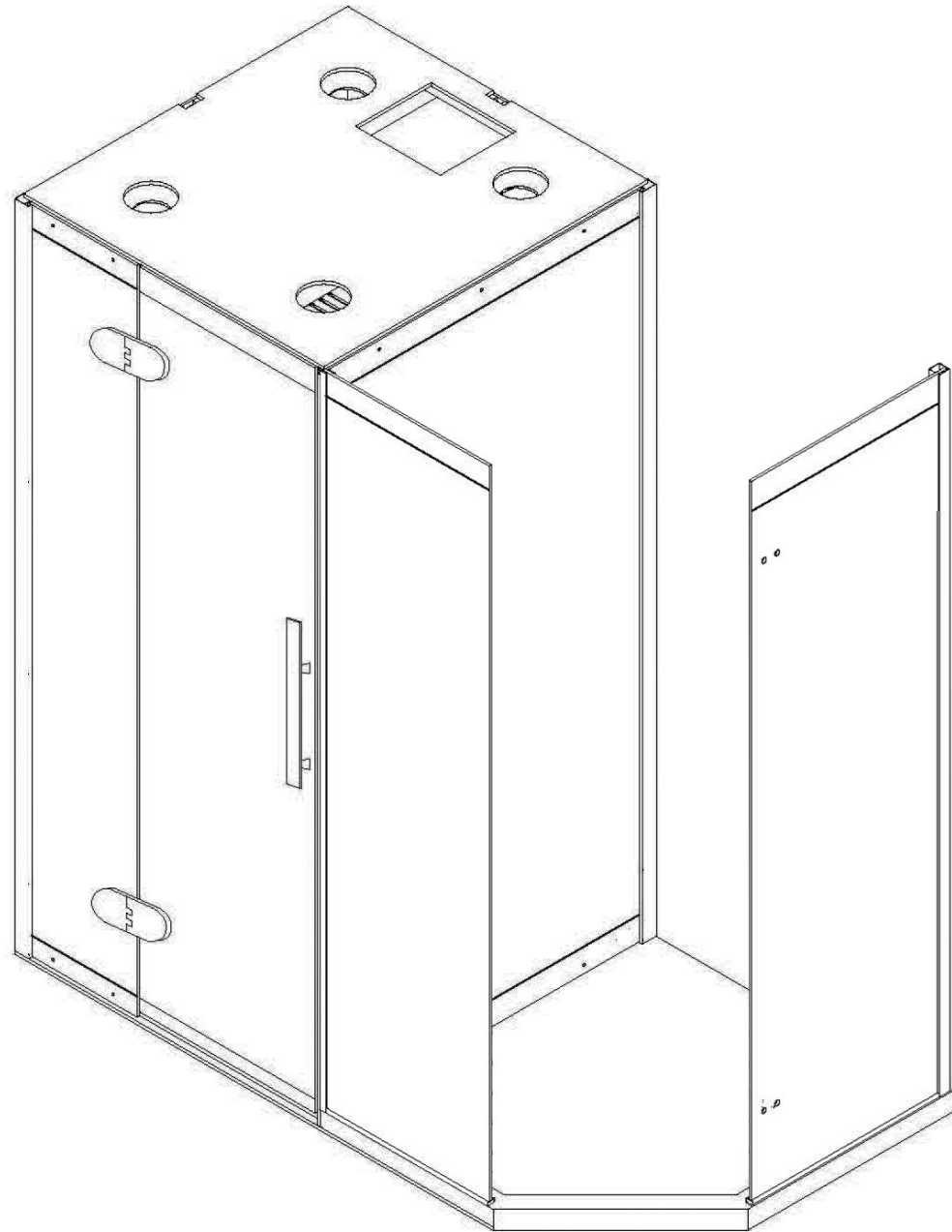


Locate the vertical upright and position against the wall. Using a drill, locate the bolt holes in the upright, drill through into the wall and insert wall plugs. Once the wall plugs have been placed, connect the upright using the bolts provided.

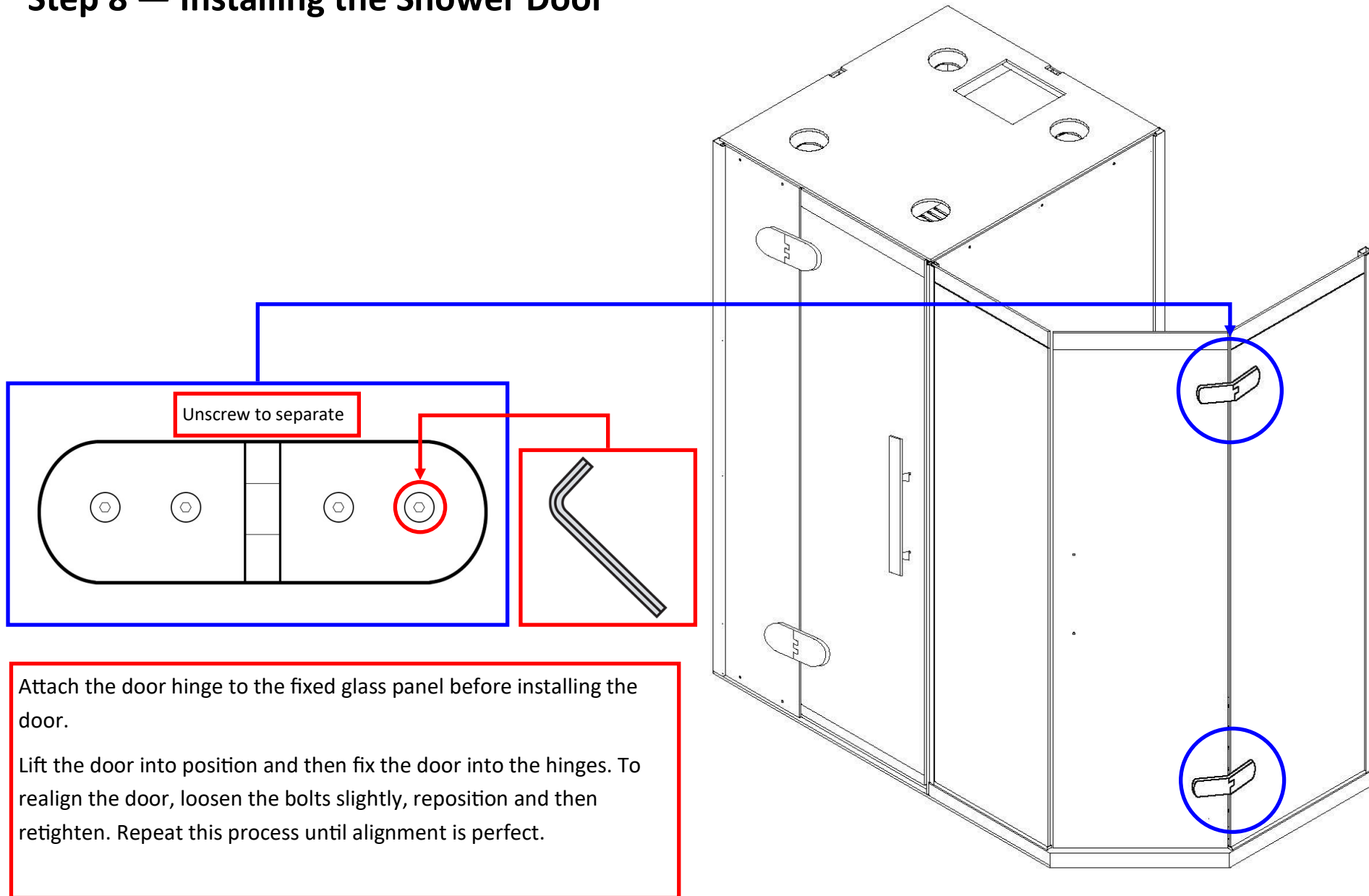
Ensure you use the countersunk bolts, otherwise the glass won't fit into the groove properly.

## Step 14 — Installing the fixed glass

Locate the fixed glass panels and slot into the framework.

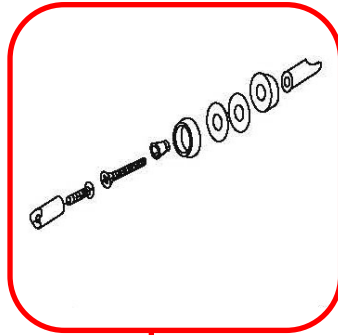


## Step 8 — Installing the Shower Door

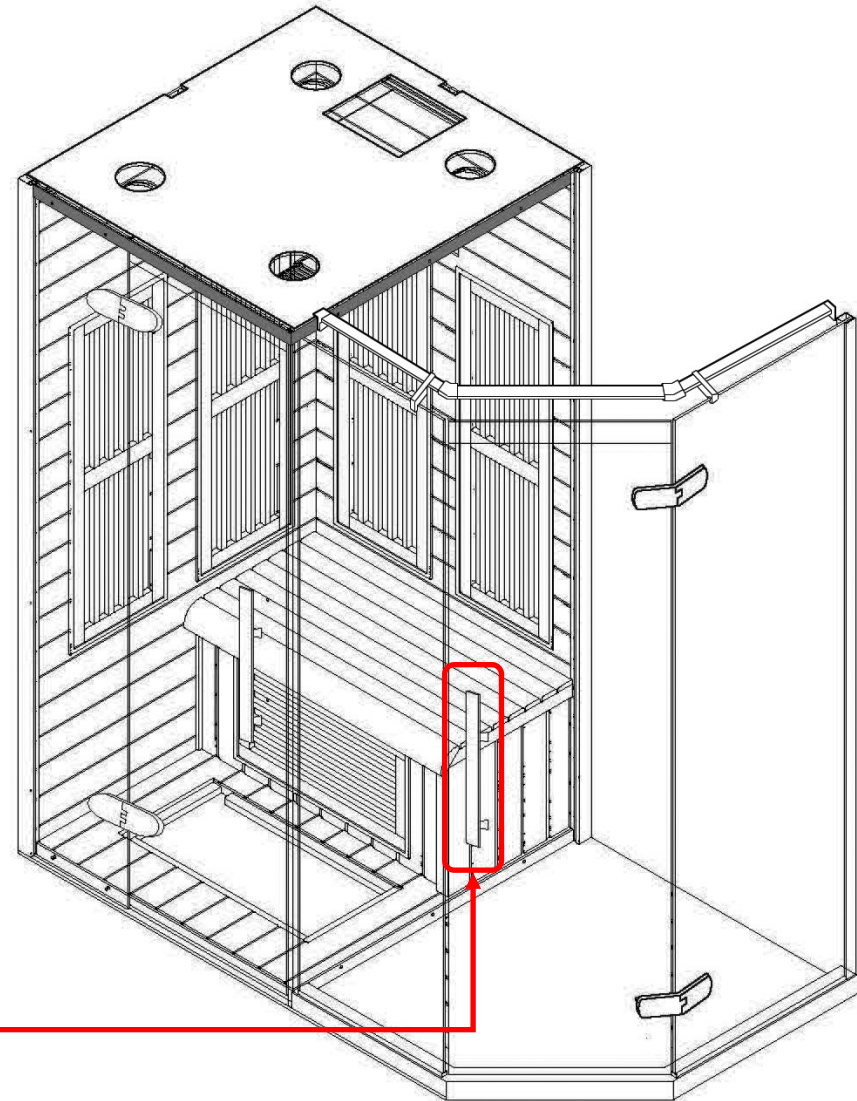
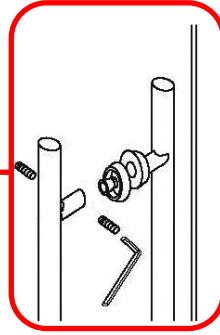
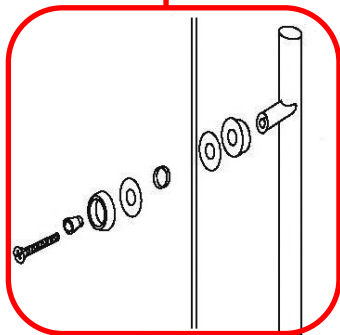
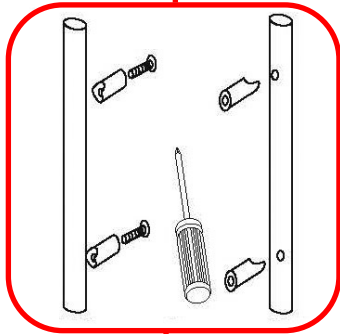




## Step 10 — Installing the Shower door handle

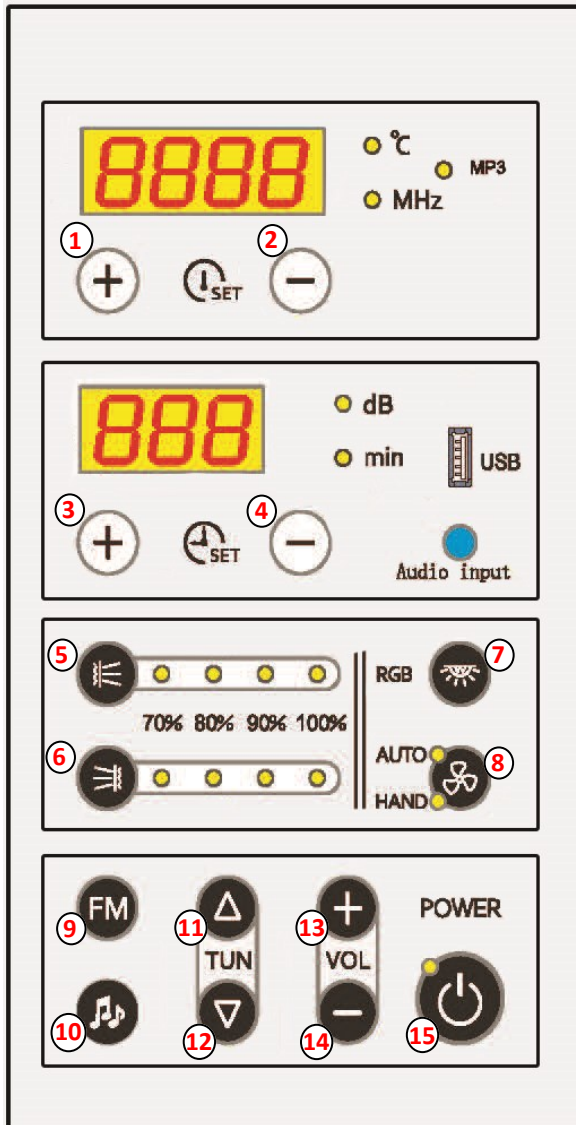


Separate the door handle using an Allen key and screwdriver. Once separated, align each handle and the connecting pieces on either side of the door and reconnect the handle.





# Sauna Control Panel Instructions



## Button 1/2 (+/- Temp)

Cycle through desired temperature setting (max 60°C)

## Button 3/4 (+/- Time)

Cycle through desired time setting (max 99 mins)

## Button 5/6 (Sauna Heaters)

Press to activate Sauna heaters. Pressing once will put the heaters on at 100%. Twice = 90%. Three times = 80%. Four times = 70% and five times = Off.

## Button 7 (Lights)

Press to cycle through the coloured lights. Each press will change colour until a full cycle is completed and they turn off.

## Button 8 (Fan)

Press to turn the fan on, press again to turn it to auto and then a third time to turn it off.

## Button 9 (FM)

Press to turn on the radio. Press and hold to auto tune the radio stations. To change radio station press tune.

## Button 10 (Audio Function)

Cycle through the audio function settings, MP3, USB, Bluetooth or AUX. When playing music through Bluetooth or USB simply use Tune (Button 11/12) to change track.

## Button 11/12 (Tune)

Press and use the +/- to manually search. Hold the buttons down for two seconds to speed scroll.

## Button 13/14 (Volume)

Press to cycle through the volume either up or down.

## Button 15 (Power)

Use to power the control panel on or off.

## Sauna Usage & Safety Guide

1. Never leave children unattended in the Sauna.
2. Regulate the temperature of sauna/steamshower before session - Pre-heat time 15-30 minutes (from room temperature 20c)
3. Never touch the heater panels whilst in operation, possible burning may occur.
4. Recommended time of use is a maximum of 15 mins initially. We highly recommend working up in time to this, beginning with 5 minute sessions to get your body used to using a sauna.
5. Suggested operational heat range: Infrared—30° C-40° C. Infrared optimum use range 35°C to 40°C
6. Stay hydrated during each Sauna/steam shower session.
7. Exit the sauna/steam shower immediately if feeling dizzy, faint or short of breath.
8. Do NOT use the sauna/steam shower if you're pregnant, have a heart condition, have low or high blood pressure. If you're unsure consult your GP before use.
9. If you have any underlying health conditions which you feel could be aggravated by an increase in temperature, consult your GP before use.
10. If you begin to have any issues with your health after using a sauna/steam shower, stop immediately and consult your GP regarding your symptoms before continuing to use.
11. Consult your GP before using the sauna/steam shower if you're on medication at all, especially with drowsy side effects.
12. Never use this sauna if you have been drinking alcohol or under the influence of other substances.
13. Do not put combustible material on the heaters at any time.
14. Always turn power supply off after use.

## WEEE Compliance Statement

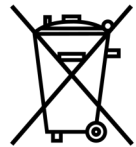
The UK Waste Electrical and Electronic Equipment (WEEE) regulations came into force on 2 January 2007. Under this new legislation, producers of electrical and electronic equipment (EEE) have to fulfil certain obligations.

Under the WEEE directive Insignia is considered the producer of certain products we supply and in line with the demands of the legislation we are pleased to offer the opportunity to return these products to us for treatment and recycling.

Insignia products will generally have an identifying mark and the common crossed out wheelie bin label. We accept returns of all products carrying the Insignia brand. All other products are either considered outside the scope of WEEE or Insignia is not technically the producer of these products. Insignia also accepts historic like-for-like WEEE returns. All WEEE returned to Insignia will be recycled in appropriate treatment and recycling centres in accordance with the legislation. If you wish to return any products to us, please send your item(s) to our head office.

Company Contract No. 326457

WEEE Producer No. CBDU64227



### LABELLING

Products labelled with the WEEE symbol (a crossed out “waste bin”) indicate that the final user should not discard this product along with other household waste, but that it must be collected and treated separately.



### Returns Address for WEEE

Insignia

9a Deans Road, Old Wolverton, Canon Industrial Park, Milton Keynes, Buckinghamshire, MK12 5NA, UK



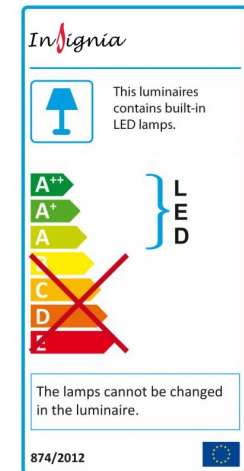
### EU – Declaration of Performance

Insignia declares that all its products complies with the essential requirements and other relevant provisions of Directive 305/2011/EC. A copy of the Declaration of performance is available from [www.insigniashowers.com/ce-certification](http://www.insigniashowers.com/ce-certification)

Insignia™ is a registered trademark of Maclean International Ltd, 9a Deans Road, Old Wolverton, Canon Industrial Park, Milton Keynes, Buckinghamshire, MK12 5NA, UK

All images are subject to copyright. Images may not be used in any way shape or form with out written permission from Maclean International Ltd. Images are NOT permitted to be saved, printed or uploaded. Violation of copyright laws are punishable by law.

All images are registered with  
ImageTraker



Insignia™ is a registered trademark of Maclean International Ltd

All images are subject to copyright. Images may not be used in any way shape or form with out written permission from Maclean International Ltd. Images are NOT permitted to be saved, printed or uploaded. Violation of copyright laws are punishable by law.