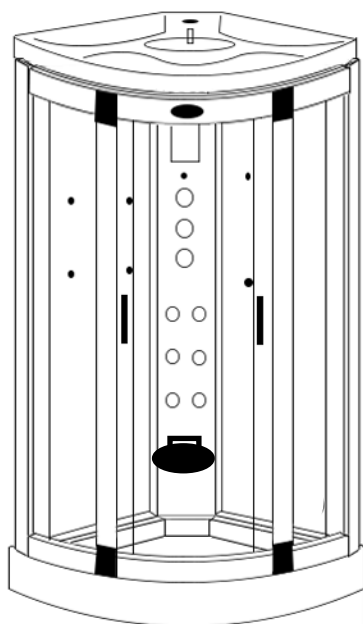




www.insigniarange.co.uk

INSTALLATION MANUAL

INS1999



30 Day Technical Support: 01908 226545

(NOTE: This service is only available to customers from the day of delivery, please have your supplier's details and your postcode to hand before calling)

Replacements Parts: inside of your warranty contact:
www.insigniarange.co.uk/customerService.aspx

Spares/Replacements Parts: outside of your warranty
contact **0844 800 3069**

ATTENTION INSTALLERS:

These instructions must be
left with the customer

**CHECK ALL CONTENTS BEFORE BUILD COMMENCES. NO RETURNS CAN BE MADE
ONCE THE BUILD HAS STARTED AS IT IS DEEMED ACCEPTANCE OF PRODUCT!**

WARRANTY REG NO: _____

To claim your full 5 year warranty, register your shower within 90 days of delivery at: www.insigniarange.co.uk/warrantyreg.aspx. Standard 12 month warranty applies if outside this time period.

Contents

Introduction	3
Electrical Requirements	5
What's In The Boxes?	7
Screw Pack Contents	8
Plumbing Requirements	9
Schematics	10
Starting The Installation	11
Electric Box Connections	18
Sealing and Water Testing	19
Control Panel Instructions	20
Help Book Information	21
Parts List	22



Thank you for your recent purchase of an Insignia shower. Please read this booklet with great care to ensure you get the best out of your build and have a shower that will last for many years to come!

Like everything, in order to obtain a first class product that will serve you well for many years, the effort and correctness put into the assembly will reflect in the quality of your finish.

OUR BADGE RATING IN TERMS OF DIFFICULTY OF ASSEMBLY IS BASED ON CLIENT FEEDBACK

1 Badge = Very easy

2 Badges = Easy

3 Badges = Moderate

4 Badges = Harder than average

5 Badges = Professional skills required

This shower is rated 3 Badges



ASSEMBLY AND PLUMBING

THIS PRODUCT BUILD IS RATED SUITABLE FOR DIY PURPOSES PROVIDING THE CUSTOMER IS OF ABOVE AVERAGE SKILL AND FEELS CONFIDENT IN THEIR ABILITY. ONLY YOU THE CUSTOMER WILL KNOW THIS SO BEFORE ANY ATTEMPT IS MADE TO ASSEMBLE, READ THROUGH THE FOLLOWING PAGES IN DETAIL THEN DECIDE. IF YOU HAVE ANY DOUBT USE THE SERVICES OF A PROFESSIONAL. IN PICKING SUCH, ALLOW THEM TO DECIDE IF THEY ARE CAPABLE OF BUILD BY FIRST SHOWING THESE INSTRUCTIONS TO THEM. ALWAYS GET THREE QUOTES.

REMEMBER THE BEST IS NOT ALWAYS THE CHEAPEST!

REMEMBER PLUMBERS PLUMB! 90% OF THIS JOB IS NOT PLUMBING!

DUE TO THE NATURE OF THIS PRODUCT WE HIGHLY ADVISE THE PURCHASE AND FITTING OF A WATER SOFTENER

(PLEASE NOTE LIMESCALE BUILD UP MAY CAUSE DAMAGE TO YOUR SHOWER AND WILL NOT BE COVERED UNDER WARRANTY)

ELECTRICAL CONNECTION TO HOUSE MAINS

WHEN YOUR ITEM IS ASSEMBLED ALWAYS USE THE SERVICES OF A FULLY QUALIFIED ELECTRICIAN COMPANY TO COMPLETE THE CONNECTION FROM SHOWER TO THE HOUSE SUPPLY. LAWS DEMAND IN MANY CASES YOU DO THIS AND YOUR WARRANTY IS VOID IN REGARDS TO THE ELECTRICAL ITEMS IF THIS IS NOT UNDERTAKEN.

YOURS AND OTHERS SAFETY IS PARAMOUNT. NEVER ATTEMPT THIS YOURSELF!

REMEMBER:

These showers are designed to be free standing and movable from their location should you have the need to replace anything. ALWAYS USE Flexible braided water inlet pipes (not supplied) at least a metre long (not central heating plastic type!)

Always use a flexible waste pipe from your house supply to the shower .

NEVER FIX with rigid pipes, NEVER FIX the unit to the wall.

DURING BUILD, LIKE ALL SHOWERS CORRECT SEALING IS IMPERATIVE.

If you are using Insignia's RubberGum, please ensure the product does not come in contact with your silicone as this will cause the RubberGum to fail and will not adhere as intended.

ATTENTION

ALWAYS FIT EASY TO GET TO ISOLATION TAPS ON BOTH THE HOT AND COLD WATER SUPPLY (NOT SUPPLIED). JUST LIKE A DISHWASHER OR WASHING MACHINE, THIS PRODUCT MUST BE ISOLATED WHEN NOT IN USE.

FLEXIBLE SUPPLY HOSES (NOT SUPPLIED) COUPLE HERE AS ORIGIN OF SUPPLY

TOTAL ELECTRICAL REQUIREMENTS

Voltage Rating	220 -240AC
Frequency Rating	50HZ
Power Rating	25W

Your electrical contractor should understand **ALL** legal requirements of connection before undertaking any work or installation.

UNDER NO CIRCUMSTANCES UNDERTAKE THIS YOURSELF!!!

Note for electrician. This product comes with 3 amp plug. We leave it this way for you to connect this your own way due to continued additions to current regulations.

1) Connect within current laws and IP directives.

2) (Preferred) Wire into isolated fused feed connecting directly to the house consumer/service box.

Always use protection against electrical surge. Your shower should be treated the same as a home computer. A surge protector should eradicate the possibility of either the transformer or control panel being burnt out.

Tool Requirements

None Supplied



Scissors



Stanley Blade



Silicone Gun



Spirit Level



Tape Measure



Philips Screwdriver



Electric Drill



Safety Gloves



Safety Glasses

PREVENT INJURIES!

This product may contain sharp edges. Assemble using gloves.

Use safety glasses when handling glass or drilling.

Adhesive Requirements



Bacteria Resistant Sanitary Silicone - (for vertical joints)

Not Supplied



RubberGum

Supplied



Plumbers Mait (for waste joints)

Not Supplied

Hardware Requirements



A Shower Cabin requires 2 x 1 Metre Braided Hose

Not Supplied

Whilst the next steps show you how to assemble your shower we want to make sure you have a correct build to ensure you get a trouble free shower. Therefore our advice is to follow the instructions and perform a dry run to ensure you are confident with the build and you understand fully how the unit is assembled. When we use the word "DRY RUN" this means you do not silicone anything, just simply construct the shower, align, drill and screw everything together. Once you are happy with the build take the unit apart and carry out the final fix.

What's In The Boxes?

Tray Box

1x Tray
1x Roof
2x Curved Rails

Glass Room

2x Door seals
2x Glass doors
2x fixed glass

Column

1x Complete Column
1 x AC-DC 12V Adapter

Backwalls

1x Left Panel Backwall
1x Right Panel Backwall

In addition to above you will have all the required internal accessories to complete the shower

Insignia Screw Pack

Product Code	Description	Quantity
SP097	Door Handles	2
SP008	Chrome Door Wheels	8
ST20	20mm Screws	20
ST35	35mm Screws	10
ST14	14mm Screws	6
ST25	25mm Screws	10
SW9	Small Washers	20
DB9	Drill Piece	1

Note: In some cases you may have more screws than needed, this is done so you have spares!

VERY IMPORTANT

Have you got everything? If not please contact the Insignia Support Line on 01908 226545. Remember **NEVER** book your tradesman until everything has arrived, been checked and is present. No replacement/missing parts can be obtained free of charge during or after the build. Any claims can only be within the timescale permitted (48 hours after delivery) and always **BEFORE** build.

Pressure Requirements from your house supply

We recommend a bar pressure between 2.5 and 3.4 BAR. If you have a combi boiler system no problem should be experienced. If you have a gravity feed older type installation (hot water tank type usually less than 1 bar) you will almost certainly need a pump. We cannot advise on which type of pump is used, location or design because all house plumbing layouts vary. This is a job for your installer/plumber. The end delivery however must fall within the scope above.

Important Note Do not exceed 3.4 BAR pressure under any circumstances. Warranty is void if so as damage will occur. If you have a combi supply, please use a pressure reducing valve if required to lower the BAR pressure to the shower.

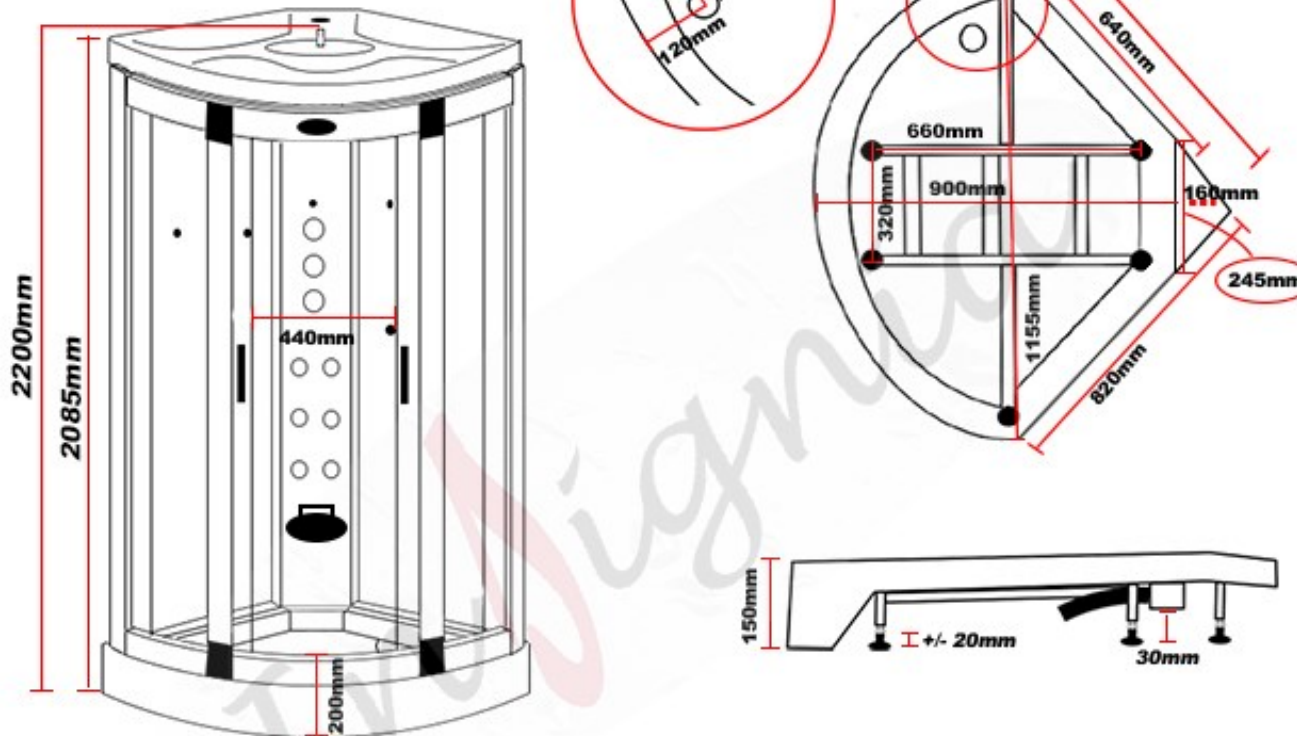
Please Remember that this product is free standing and is designed to be pulled away from the wall.

The waste hose must be of a flexible type (1m flexible waste supplied).

The water supply pipes need to be at least 1 metre in length and must be that of a flexible braided type (not supplied).

DO NOT OVERTIGHTEN THE BRAIDED HOSES AS IT CAN CAUSE THE CONNECTION TO POP AFTER A FEW WEEKS OF USE

INS1999



Please ensure you have at least 400mm each side of your shower for assembly and servicing



Internal Height for this shower is 1950mm 6'5"

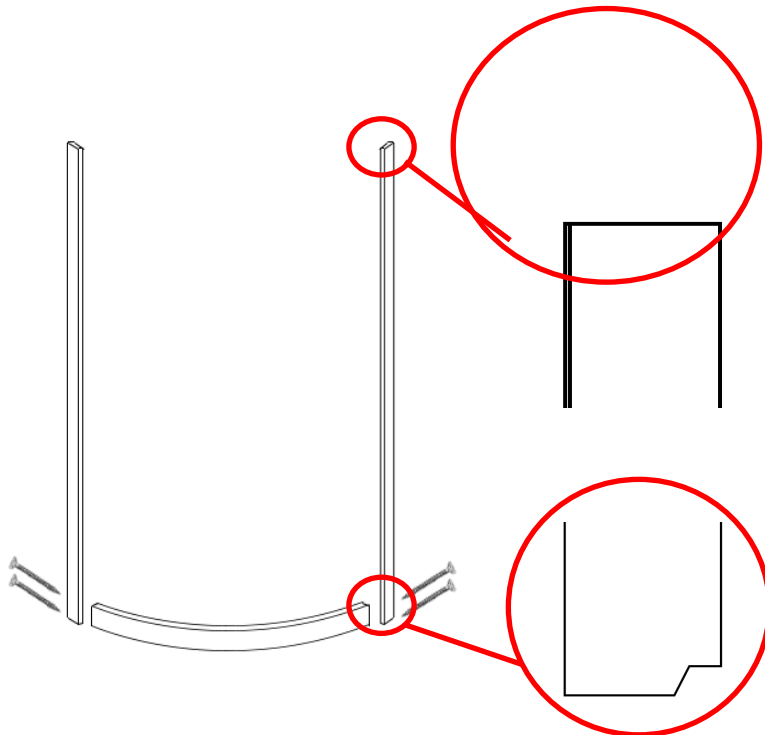
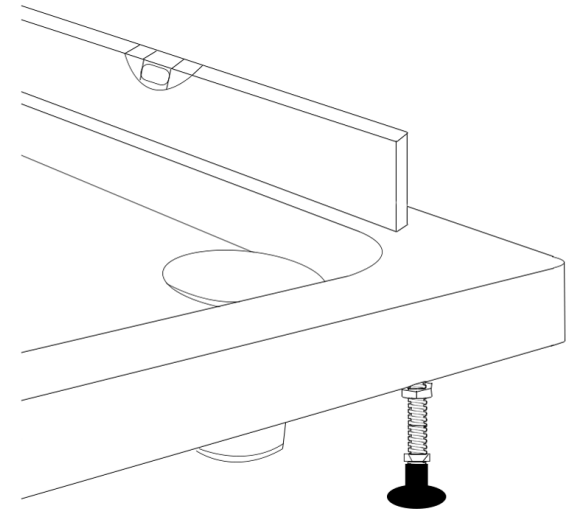
Whilst we endeavour to ensure our measurements are correct they should be used as a guide only. Insignia accept no responsibility as size, design and specification may change without prior notice.

TO START

Make sure you have a clear space, remember when finished and in place you need access to check your build and able to pull the shower out for servicing or should you have the need to replace anything!

Take the shower tub and remove all the protective wrapping and fit the waste. In the side of the waste supplied in the optional fitting kit you will notice a spigot not seen on an ordinary waste. In most cases this is blanked yet should you have a steam version you need to gently drill this out as this item is for the steam generator drainage and will be connected in the instructions later.

Now please level the tray by firstly placing the tray in its final location and then using a spirit level, adjust the tray feet accordingly. Once you are happy with the levelling of the tray, you can pull it out to begin the main construction.



Step 1

Attach the uprights to the bottom curved rail using the **ST35** screws. The end with the groove is designed to sit on the tray, with the flat end connecting to the roof. Please note the 'U' shaped channel is meant to face inwards to allow the glass to fit correctly.

(Thinner rail without Insignia logo on)

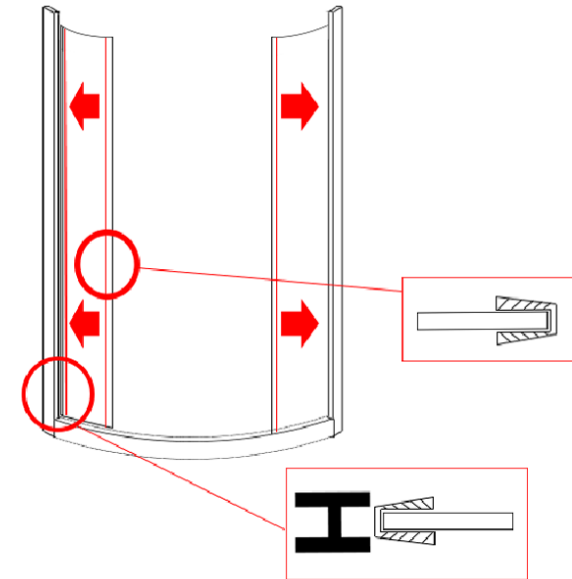
PLEASE NOTE

The screw head needs to bypass the OUTER hole. If this does not occur please bore out the outer hole only by about 2-4mm

Step 2

Push the “U Shape” glass seal onto the glass panel prior to insertion into the frames. Please ensure the thin seal is on the entrance side of the panels with the thicker to the rear side.

The next step is to attach both front fixed glass panels. In order to do this take the glass panel and offer it up to the upright as shown by the arrows.

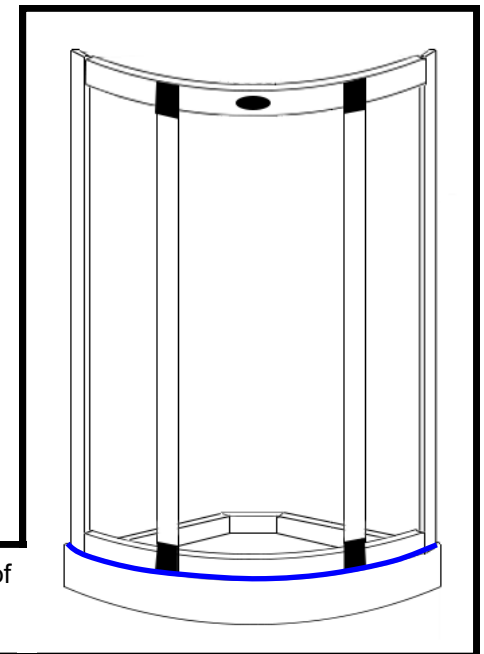
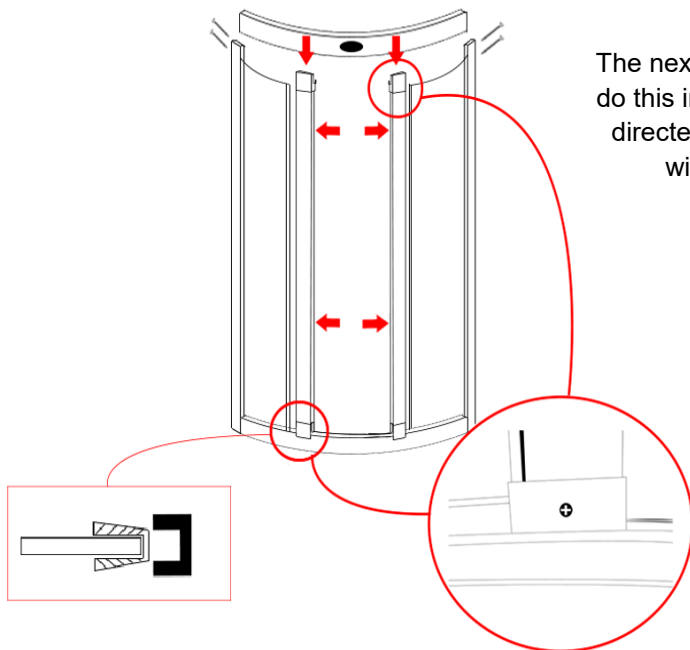


Step 3

The next step is to attach both front uprights and the top rail. In order to do this insert the front uprights over the glass seal as push on tightly as directed by the arrows in the image. Now attach the top rail (wide rail with logo) and then screw into place using the **ST35** screws

Once the top rail is in place, secure the front uprights to the top and bottom rails (from inside the cabin) using ST14 screws

Then continue to [Rubbergum](#) along the bottom curved frame



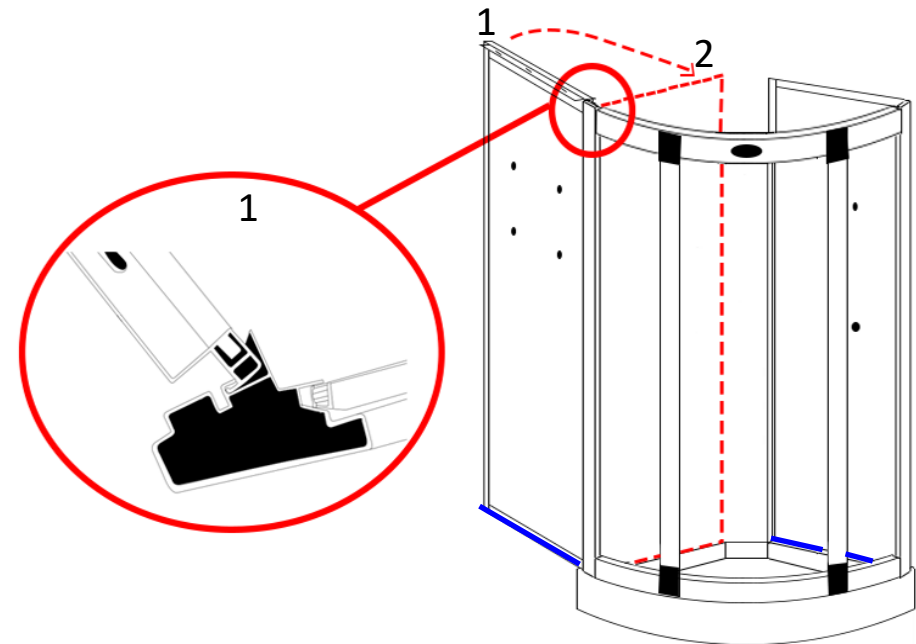
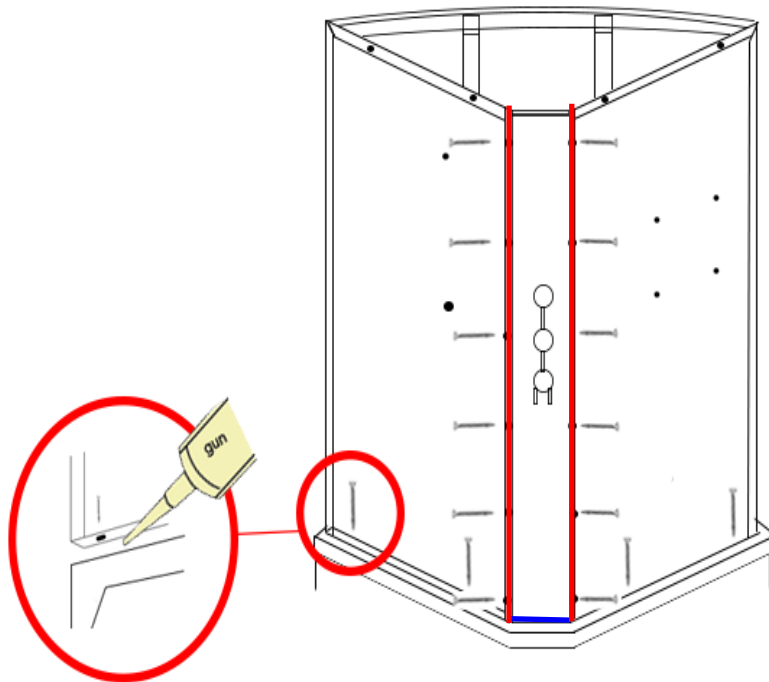
Now place your completed front frame on the front of the shower tray as per the image on the right

Step 4

Apply [RubberGum](#) to the bottom of the remaining back panel and position the panel to the completed front frame in the position shown in the image marked "1"

Once you have met the back panel inside the front upright as per the close up image walk the panel around to the position shown in the image marked "2"

Now repeat for the other side



Step 5

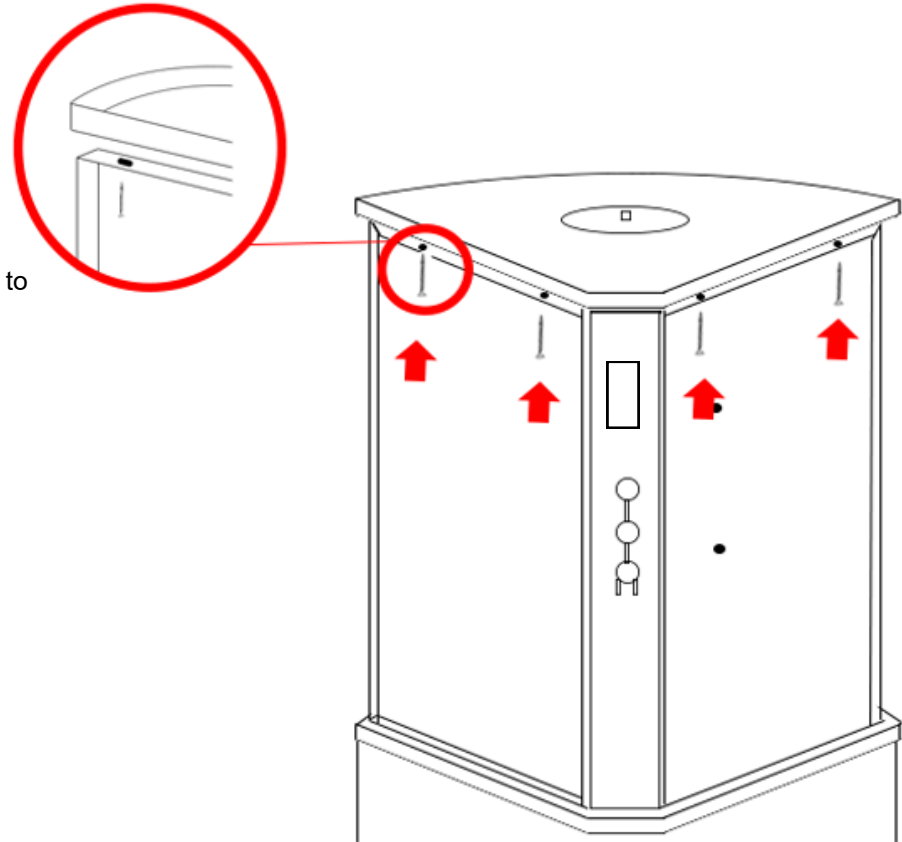
Now you have locked the two back panels in position, [Rubbergum](#) the bottom of the column and align the back panels to the central column. Once you are happy with the alignment, run a bead of silicone up the edge of the column and fix together using the **ST20** screws and **SW9** Washers as per the image.

(please note, if your column has a rubber seal at the bottom , take the rubber off and apply silicone inside the rubber and replace)

Step 6

Align the roof with your shower walls and using the **ST25** screws fix the back walls to the roof by screwing upwards from the rear of the shower.

NOTE: If a small gap exists silicone seal later

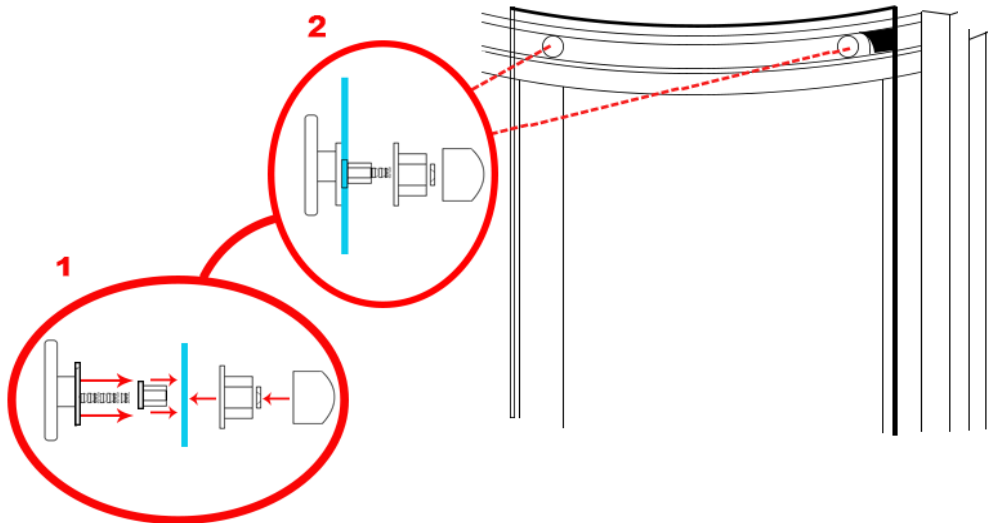


Step 7

Fit the adjustable wheels to the top and bottom of the glass doors and ensure the wheels are at their lowest position and hang on the inner curved rails with the wheels facing the outside of the glass.

Once all wheels are fitted and on the rails you can adjust the wheels by turning the plastic bolt clockwise in which in turn will pull the wheels towards the track ensuring a secure a tight fit.

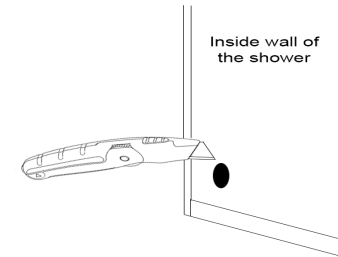
Now grease the track to ensure a smooth and long lasting operation (not supplied)



Accessory Installation

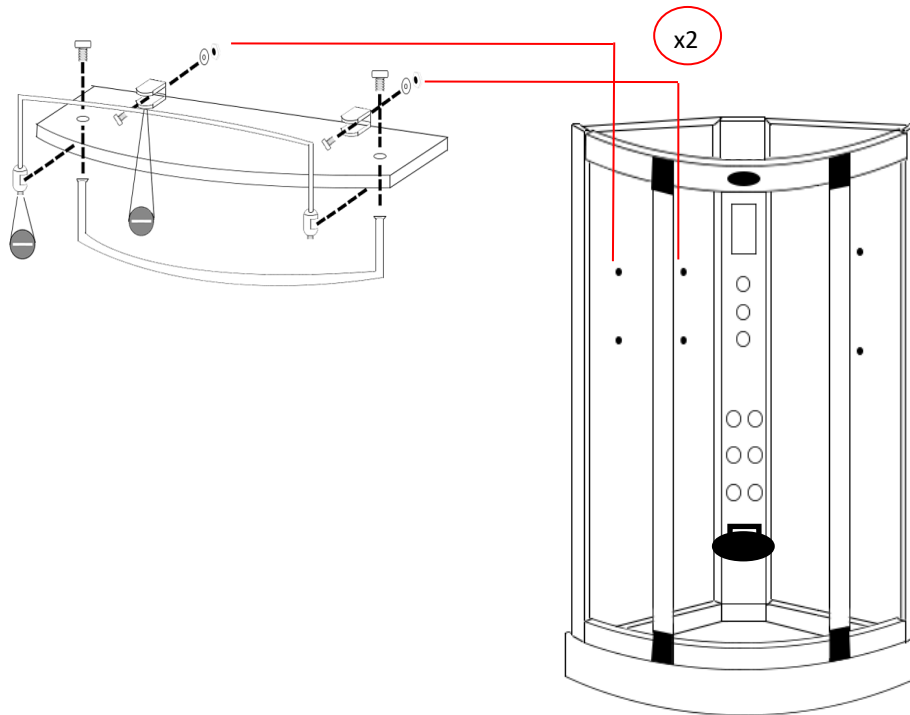
Please Note

Ensure all grey backing film on the rear of the glass panels are pierced through the existing glass holes with a knife to provide an efficient smooth fitting and location of the accessories. We recommend using a screwdriver on the smaller holes.



Shelf

Fix the chrome floating shelf brackets to your glass back panel by using the provided screws. Now attach the chrome tubed bars to your glass shelf as illustrated in the below image. Next slide the shelf into your shelf brackets and secure by tightening the grub screw situated on the bottom of the bracket.



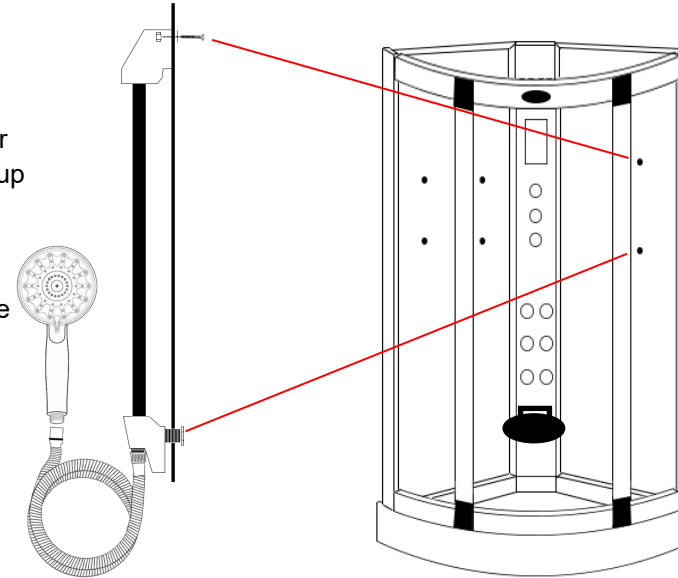
Hand Shower

Attach the chrome riser bar to the glass wall ensuring the water inlet is inserted through the lower large hole and hand tightened from the rear side.

Now tighten the chrome shower holder ensuring that this will take the hand shower itself without falling (please note over tightening will prevent the holder from sliding up and down)

Thermostatic Probe

Insert the probe into the hole situated below the control panel roughly 6mm into the cabin and run clear silicone around the rear side of the probe



Ozone (o3)

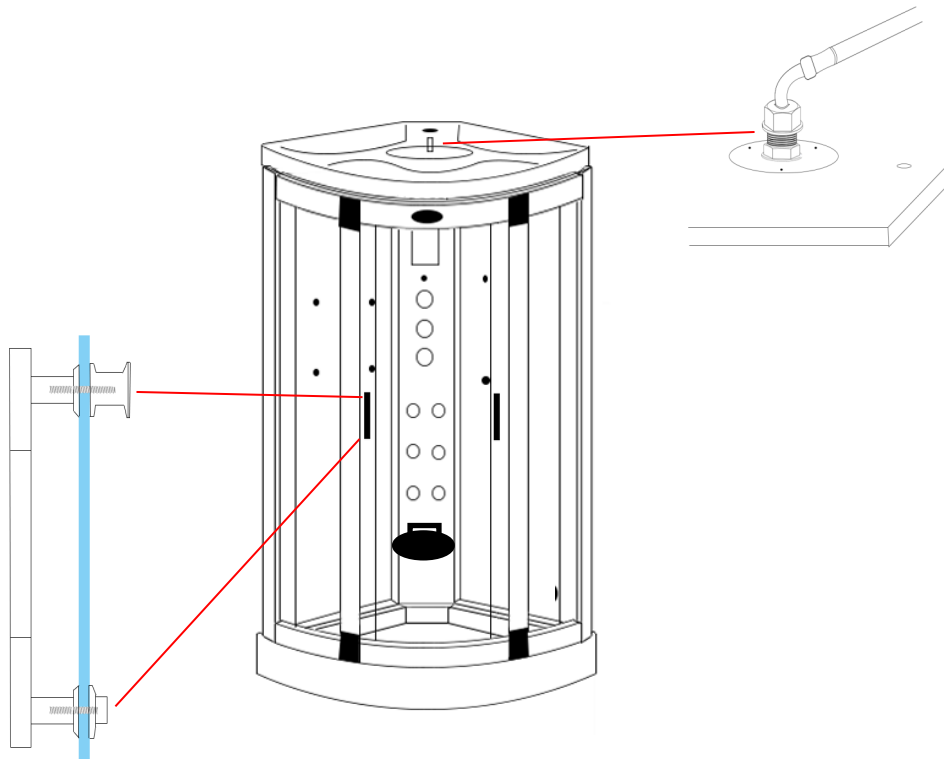
Unscrew the chrome pepper pot end and drop the white box upside down into the rear hole as shown in the image. Now from the inside of the shower re-attach the chrome pepper pot end and tighten.

Monsoon Head

Attach the grey hose from your valve to the inner black tube using PTFE tape (please note this only needs to be hand tight. Over tightening will snap/damage the inner black tube)

Handle

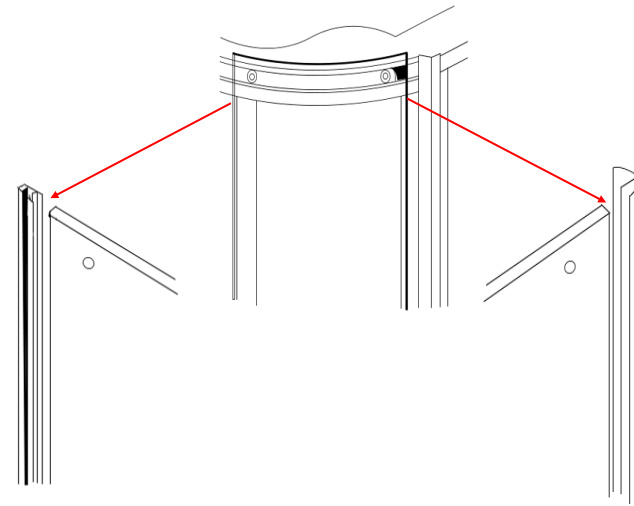
Ensuring that the inner thread is protruding out from the handle far enough, place the handle on the outside of the door and secure by tightening the inner chrome knob to the protruding inner thread.



Door Seals

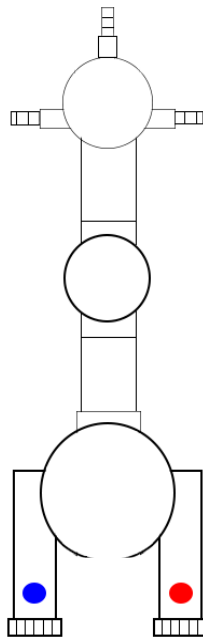
Magnetic Seal: Push the magnetic door seal on the handle side of the glass door ensuring this is tightly fitted.

Rear Door Seal: Place the rear door seal on the opposite side to the magnetic strip ensuring the



Monsoon Shower

Hand Shower



Body Jets

Cold Water Inlet

Hot Water Inlet

Shower Valve

Connect the corresponding hoses to the rear of the valve as shown.

Device output may differ from the image. Please refer to your outer chrome faceplate inside your Insignia shower as a reference point.

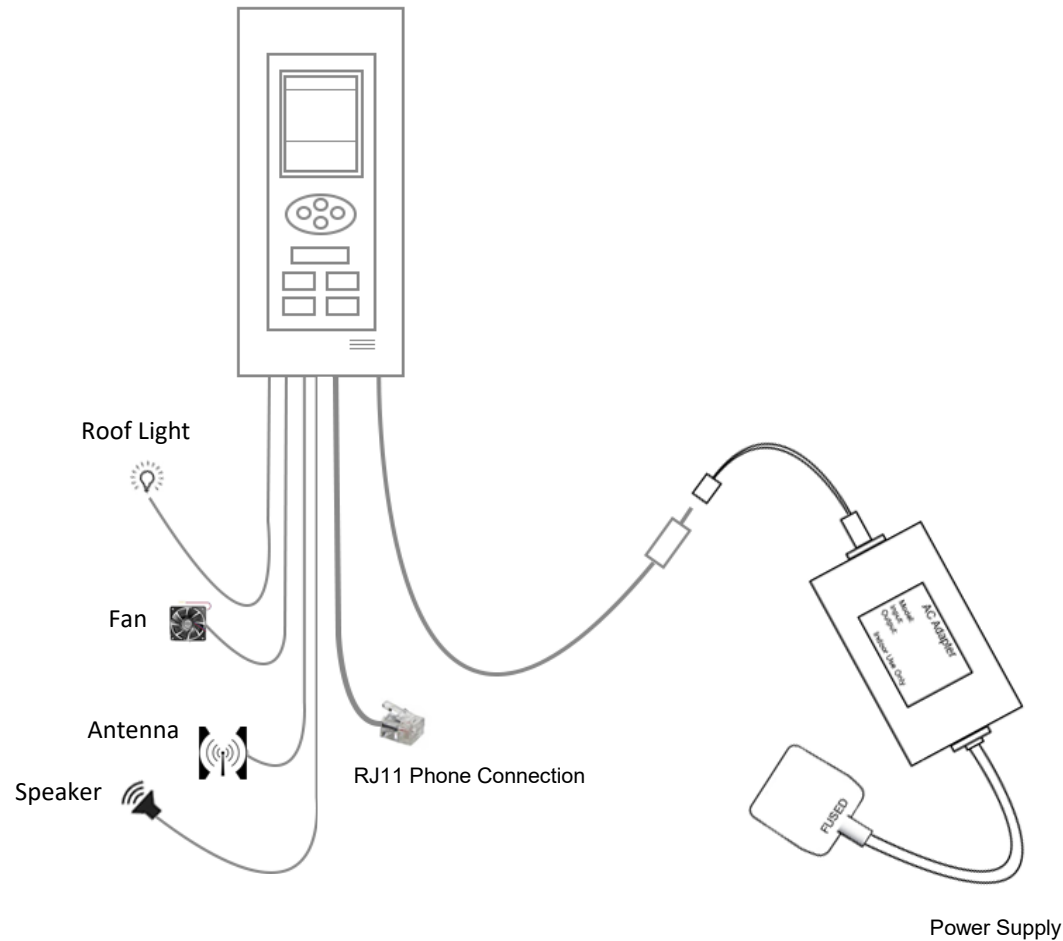
IF YOUR DIAL DOES NOT CORRESPOND TO THE APPROPRIATE DEVICE:

Turn on your water to the shower and note which output the water exits from then turn off the water and swap over the relevant hose.

Alternatively remove the outer chrome knob by removing the chrome cap and loosening the grub screw (please ensure not to unscrew fully as this will drop within the chrome knob) this is found on the opposite side to the chrome pillar. Once you have succeeded in loosening this you can now slide your faceplate to correspond to the device.

Electric Box Connections

Connect the cables below to the corresponding devices on the shower



Safety precautions

Never leave children unattended in the shower or bath.
Never bath children (under 12) using whirlpool function if fitted.

Regulate the temperature of water before showering
Never use this shower if you have been drinking alcohol.
Never use with more than one person unless the shower is designed for this.

This product is not to be used for washing/bathing animals

Always turn power supply off after use
Always turn water supply off after use.

Silicone Seal (vertical joints) - RubberGum (horizontal joints)

TESTING FOR WATER LEAKS

LEAVE THE SHOWER 24 HOURS AFTER BUILD TO ALLOW SEALANT TO CURE AND ENSURE THE SHOWER IS AWAY FROM ITS FINAL POSITION TO ALLOW REAR VIEWING

Ensure all connections are tight and sealed including the waste, body jets and steam outlet (model dependent) on your shower. **We also advise to run a thin bead of silicone around the control panel.**

Switch on the overhead shower NOT the massage jets, remember these will fire water out at you and are not suitable for checking leaks as they would normally only operate when a person is in front of them. **DO NOT AIM THE HAND SHOWER AT THE JOINTS OF YOUR SHOWER AS THIS DOES NOT FALL UNDER "NORMAL EVERYDAY USE"**. Adjust the feet to ensure the direction of the water flows towards to the waste to prevent puddling.

Just use COLD water setting as hot will make cabin misty and condensate thus the inspection becomes very difficult. Now on the OUTSIDE of the shower inspect each joint, factory seal, hose, clip and jet by walking from one side and going around to the back and then to the other side finishing at the front. If you have a small leak (normally caused through insufficient sealer or air bubble on assembly, dry the area thoroughly and reseal.

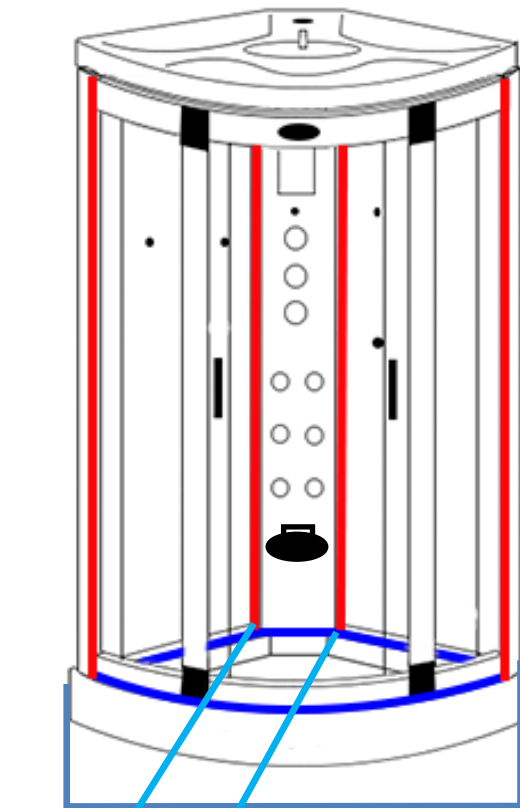
Please remember the location of the water may not be exactly where the leak is as it could have run around to a low point. Never seal your inner fittings unless necessary, remember you will see this for the life of the shower! Again leave to cure and check. Once you are happy check the shower functions i.e. jets for back massage, foot massage and finally hand shower (model dependent) check your joints to these functions at the rear again. Never use the shower until **all** checks have been made and the installer is 100% happy in the knowledge no leaks are present.

Important Note: It is not uncommon due to temperature changes, glass seals fitted into the frame lower horizontal and sides can and do shrink leaving a small gap. This is normal to prevent rubbers perishing or opening later in your showers life. Check yours now, any slight gaps simply seal neatly with a thin bead of silicone. This will prevent chances of leakage both now or later in life.

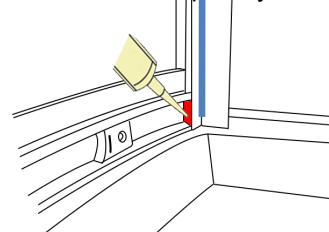
All good?

Now push your shower FROM THE BASE and NEVER THE GLASS OR FRAME into its final resting position.

Happy Showering!



Silicone the area highlighted in red where the glass panel frame meets at the bottom (next to the column)



Silicone fill the area highlighted in red at the end of the bottom runner as indicated in the image on the left.

TL-2070GS Control Panel Instructions



Button 1 (+ VOL)

Volume Up

Button 2 (Down Arrow)

Radio Search Down

Button 3 (Up Arrow)

Radio Search Up

Button 4 (- VOL)

Volume Down

Button 5 (Power)

On/Off

Button 6 (Telephone)

Answer telephone

Button 7 (FM)

Radio On/Off

Button 8 (LIGHT)

On/Off

Button 9 (FAN)

On/Off

Need Help?

If so then simply download Insignia's free comprehensive help and troubleshooting brochure now!

Simply visit: www.insigniarange.co.uk/help.aspx



**INSIGNIA PRODUCTS
HELP I HAVE PROBLEMS AND
NEED ANSWERS NOW!**



PLEASE KEEP IN SAFE PLACE

www.insigniarange.co.uk

Parts List

Internal Items

Part Code	Part Description
SP063	Monsoon Shower head
SP048	Body jet—2 open ends
SP048A	Body jet—1 open, 1 closed
SP236	Complete riser bar
SP112 (warranty)	Shower holder (for riser bar)
SP120 (warranty)	Water Inlet (bottom part of riser bar)
SP159	Shower waste
SP097	Chrome rectangular door handles
SP240	Glass Shelf
SP072	Door stoppers
SP008	Door Wheels
SP105	Chrome Flexible Hose
SP036	Speaker
SP228	Speaker cover
SP076	TL-2070GS Control panel
SP243	Fold down seat
SP152	Standard shower head
SP166	Approximately 4 meters of “U Style” seals
SP039	Fan (model dependent)
SP171	24 x 10mm White LED Lights

External Items

Part Code	Part Description
SP300	Waste hose
SP251	Transformer
SP308	Magnetic door seals
SP310	Rear door seals
SP089	3 port—2 feed thermostatic valve
SP095	3 Port Selector Cartridge
SP044	On/Off Water Mixer Valve
SP182	Vernet Screw Fit Thermostatic Cartridge
SP043	Plastic Thermostatic Valve Safety Lock Ring

Framework

Part Code	Part Description
INS2000-3	Bottom Rail
INS2000-2	Top rail
INS2000-14	Left upright
INS2000-15	Right upright
INS2000-1	Tray
INS2000-5	Blank roof

Glass

Part Code	Part Description
INS2000-8	Glass door (universal)
INS2000-9	Mirrored left back panel
INS2000-10	Mirrored right back panel
INS2000-11	Front fixed glass (universal)

All images are registered with
ImageTraker

Insignia™ is a registered trademark of Maclean International Ltd

All images are subject to copyright. Images may not be used in any way shape or form with out written permission from Maclean International Ltd. Images are NOT permitted to be saved, printed or uploaded. Violation of copyright laws are punishable by law.