



www.insigniarange.co.uk

30 Day Technical Support: 01908 226545

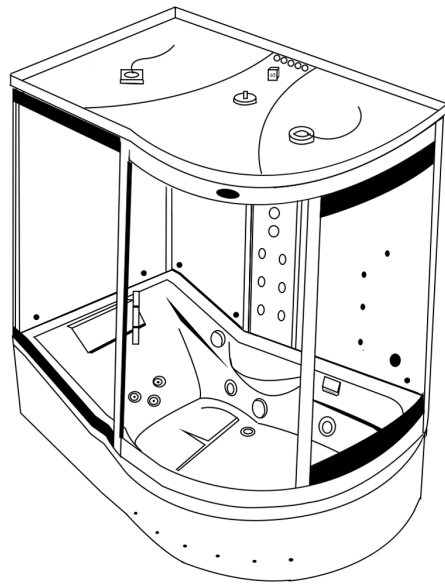
(NOTE: This service is only available to customers from the day of delivery, please have your supplier's details and your postcode to hand before calling)

Replacements Parts: inside of your warranty contact:
www.insigniarange.co.uk/customerService.aspx

Spares/Replacements Parts: outside of your warranty
contact 0844 800 3069

INSTALLATION MANUAL

GT 8059L



ATTENTION INSTALLERS:

These instructions must be
left with the customer

WARRANTY REG NO: _____

To claim your full 5 year warranty, register your shower within 90 days of delivery at: www.insigniarange.co.uk/warrantyreg.aspx. Standard 12 month warranty applies if outside this time period.

Contents

Introduction	3
Electrical Requirements	5
What's In The Boxes?	6
Screw Pack Contents	7
Plumbing Requirements	8
Starting The Installation	9
Electric Box Connections	20
Steam Generator Connections	22
Sealing and Water Testing	23
MK117 Control Panel Instructions	24
Help Book Information	25
Parts List	26



Thank you for your recent purchase of an Insignia shower. Please read this booklet with great care to ensure you get the best out of your build and have a shower that will last for many years to come!

Like everything, in order to obtain a first class product that will serve you well for many years, the effort and correctness put into the assembly will reflect in the quality of your finish.

OUR BADGE RATING IN TERMS OF DIFFICULTY OF ASSEMBLY IS BASED ON CLIENT FEEDBACK

1 Badge = Very easy

2 Badges = Easy

3 Badges = Moderate

4 Badges = Harder than average

5 Badges = Professional skills required

This shower is rated 5 Badges



ASSEMBLY AND SIMPLE PLUMBING

THIS PRODUCT BUILD IS RATED SUITABLE FOR DIY PURPOSES PROVIDING THE CUSTOMER IS OF ABOVE AVERAGE SKILLS AND FEELS CONFIDENT IN THEIR ABILITY. ONLY YOU THE CUSTOMER WILL KNOW THIS SO BEFORE ANY ATTEMPT IS MADE TO ASSEMBLY READ THROUGH THE FOLLOWING PAGES IN DETAIL THEN DECIDE. IF YOU HAVE ANY DOUBT USE THE SERVICES OF A PROFESSIONAL. IN PICKING SUCH, ALLOW THEM TO DECIDE IF THEY ARE CAPABLE OF BUILD BY FIRST SHOWING THESE INSTRUCTIONS TO THEM. ALWAYS GET THREE QUOTES.

REMEMBER THE BEST IS NOT ALWAYS THE CHEAPEST!

REMEMBER PLUMBERS PLUMB! 90% OF THIS JOB IS NOT PLUMBING!

DUE TO THE NATURE OF THIS PRODUCT WE HIGHLY ADVISE THE PURCHASE AND FITTING OF A WATER SOFTENER

ELECTRICAL CONNECTION TO HOUSE MAINS

WHEN YOUR ITEM IS ASSEMBLED ALWAYS USE THE SERVICES OF A FULLY QUALIFIED ELECTRICAL COMPANY TO COMPLETE CONNECTION FROM SHOWER TO HOUSE SUPPLY. LAWS DEMAND IN MANY CASES YOU DO THIS AND YOUR WARRANTY IS VOID REGARDS ELECTRICAL ITEMS IF THIS IS NOT UNDERTAKEN.

YOURS AND OTHERS SAFETY IS PARAMOUNT. NEVER ATTEMPT THIS YOURSELF.

REMEMBER:

These showers are designed to be free standing and movable from their location should you have need to replace anything. ALWAYS USE Flexible braided water inlet pipes at least a metre long (not central heating plastic type!)

from house supply to the shower and again flexible waste pipe to join to your house waste. NEVER fix with rigid pipes, never fix the unit to the wall.

DURING BUILD, LIKE ALL SHOWERS CORRECT SEALING IS IMPERATIVE.

ATTENTION

ALWAYS FIT EASY TO GET TO TAPS ON BOTH HOT AND COLD WATER SUPPLY. AS A DISHWASHER OR WASHING MACHINE, THIS PRODUCT MUST BE ISOLATED WHEN NOT IN USE. FLEXI SUPPLY HOSES (SUPPLIED) COUPLE HERE AS ORIGIN OF SUPPLY

YOU WILL NEED**TOTAL ELECTRICAL REQUIREMENTS**

Voltage Rating	220 -240AC
Frequency Rating	50HZ
Power Rating	3.0KW

Your electrical contractor should understand **ALL** legal requirements of connection before undertaking any work or installation.

UNDER NO CIRCUMSTANCES UNDERTAKE THIS YOURSELF!!!

Note for electrician. This product comes with 13 amp plug(s) fitted with an RCD unit. We leave it this way for you to connect this your own way due to continued additions to current regulations. As at October 2010 we offered two methods.

- 1) Connect within current laws and IP directives using plug and RCD provided with steam version or supply one for non steam version
- 2) (Preferred) Wire into isolated fused feed connecting directly to the house consumer/service box. Remove the fitted plug and ensure the Consumer unit has capabilities to replace RCD feature if RCD is removed.

Always use protection against electrical surge. Your shower should be treated the same as a home computer. A surge protector should eradicate the possibility of either the transformer or computer control being burnt out. Please note earth is required and found on chassis of shower tray. A further earth is required from Steam Generator unit. Each earth must ground through power supply line.

Requirements

Scissors



Stanley Blade



Silicone Gun



Spirit Level



Tape Measure



Philips Screwdriver



Electric Drill

Whilst the next steps show you how to assemble your shower we want to make sure you have a correct build to ensure you get a trouble free shower. Therefore our advice is to follow the instructions and perform a dry run to ensure you are confident with the build and you understand fully how the unit is assembled. When we use the word "DRY RUN" this means you do not silicone anything, just simply construct the shower, align, drill and screw everything together. Once you are happy with the build take the unit apart and carry out the final fix.

What's In The Boxes?

Tray Box

1x Tray
1x Roof
2x Curved Rails

Glass Room

2x Door seals
1x Glass door
2x fixed glass

Column

1x Complete Column

Backwalls

1x Angled Panel Backwall
1x Square Panel Backwall

Side Panel

Glass Side Panel

In addition to above you will have all the required internal accessories to complete the shower

Insignia Screw Pack

Product Code	Description	Quantity
SP097	Door Handles	1
SP011/012	Door Wheels	2 each
ST20	20mm Screws	20
ST35	35mm Screws	10
ST14	14mm Screws	6
ST25/PCH13/CPC16/B22	Various	14 each
BAG	Chrome Brackets	12
DB61	Drill Piece	1

VERY IMPORTANT

Have you got everything? If not please contact the Insignia Support Line on 01908 226545. Remember **NEVER** book your tradesman until everything has arrived, been checked and is present. No replacement/missing parts can be obtained free of charge during or after the build. Any claims can only be within the timescale permitted (48 hours after delivery) and always **BEFORE** build.

Pressure Requirements from your house supply

We recommend a bar pressure between 2.5 and 3.4 BAR. If you have a combi boiler system no problem should be experienced. If you have a gravity feed older type installation (hot water tank type usually less than 1 bar) you will almost certainly need a pump. We cannot advise on which type of pump is used, location or design because all house plumbing layouts vary. This is a job for your installer/plumber. The end delivery however must fall within the scope above.

Debit Requirements

You will need the debit capabilities of at least 10 litres per minute. Again an average combi boiler will supply this but please check if you have a gravity feed system.

Important Note Do not exceed 3.4 BAR pressure under any circumstances. Warranty is void if so as damage will occur. If you have a combi supply, please use a pressure reducing valve if required to lower the BAR pressure to the shower.

Please Remember that this product is free standing and is designed to be pulled away from the wall. The water supply and waste require flexible pipes. If you purchased the fitting kit with this shower you will have the required fittings. The water supply pipes need to be at least 1 metre in length and must be that of a flexi braided type..

DO NOT OVERTIGHTEN IT CAN CAUSE THE CONNECTION TO POP AFTER A FEW WEEKS OF USE

Please note if a shower pump is used via gravity system we recommend a separate cold feed bypassing pump direct to generator to avoid damage to the generator.

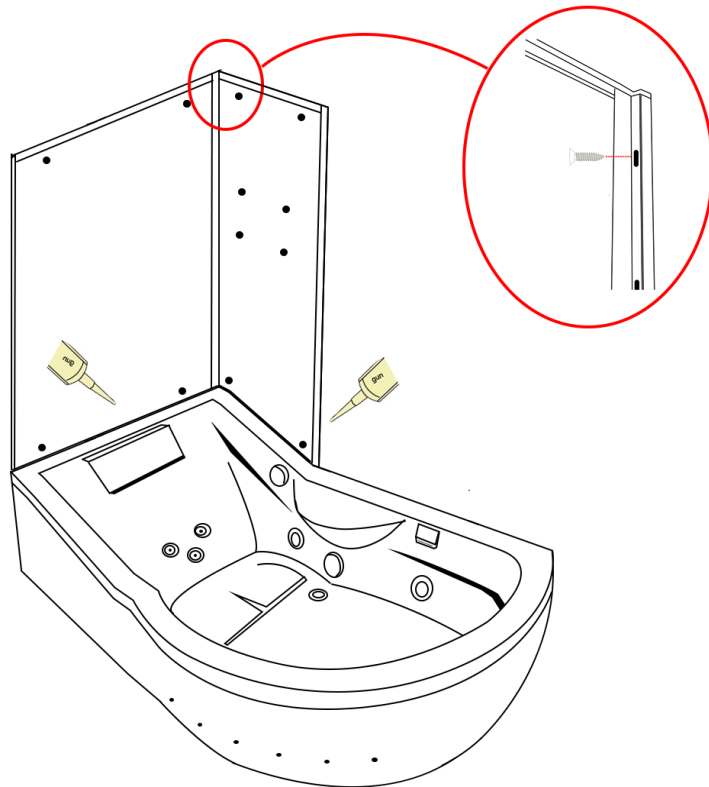
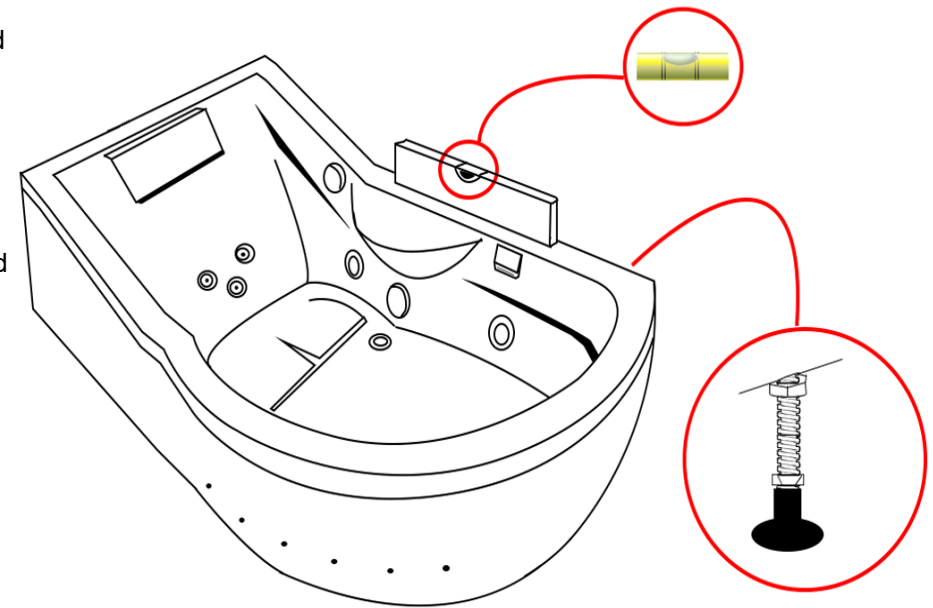
Further to this as you would with a washing machine or dishwasher, it is highly recommended that accessible water valve taps are installed to turn off the shower when not in use. This will avoid any possible flooding due to a burst pipe or connection failure in the future.

TO START

Make sure you have a clear space, remember when finished and in place you need access to check your build and able to pull the shower out for servicing or should you have the need to replace anything!

Take the shower tub and remove all the protective wrapping and fit the waste. If you purchased the fitting kit it is possible this may have already been fitted in the tray hole yet please note this is only for transportation reasons therefore you will still need to ensure the correct sealing and alignment is carried out. In the side of the waste supplied in the optional fitting kit you will notice a spigot not seen on an ordinary waste. In most cases this is blanked yet should you have a steam version you need to gently drill this out as this item is for the steam generator drainage and will be connected in the instructions later.

Now please level the tray by firstly placing the tray in its final location and then using a spirit level, adjust the tray feet accordingly. Once you are happy with the levelling of the tray, you can pull it out to begin the main construction.



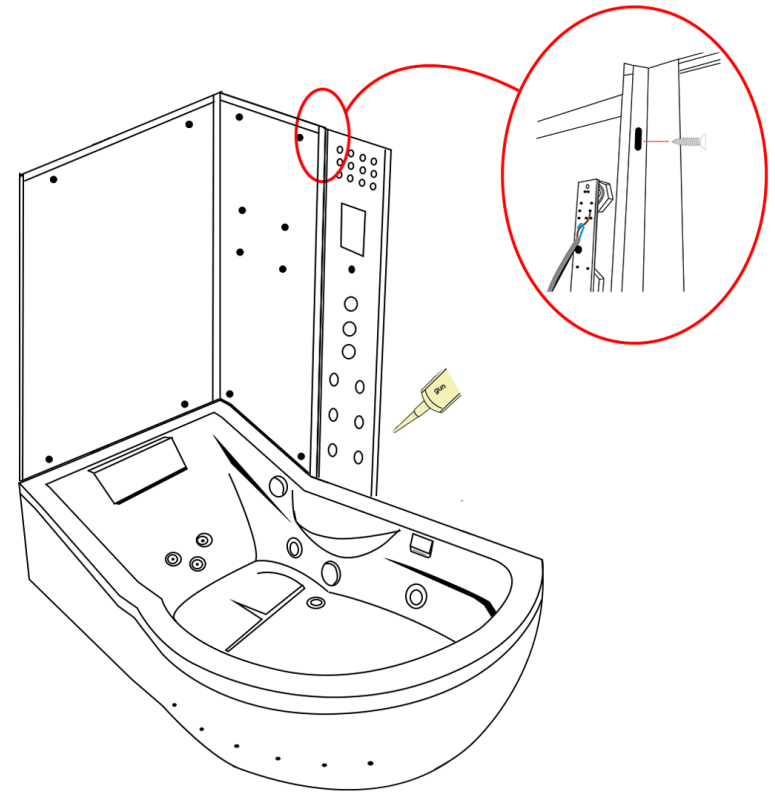
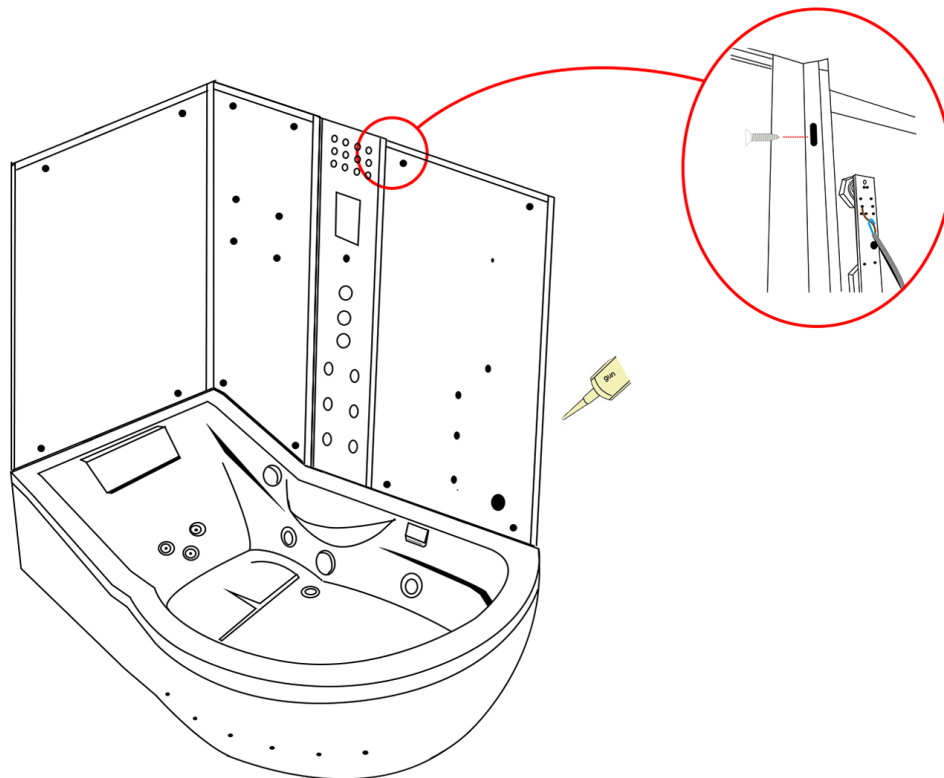
Step 1

Run a bead of silicone along the edge and bottom of the large squared side glass panel and the angled back panel glass and place onto the tub and screw together using the **ST20** screws

Step 2

Now apply silicone to both sides and the bottom of the control column and place the next to the angled back glass panel and fix together using the **ST20** screws.

(please note, if your column has a rubber seal at the bottom , take the rubber off and apply silicone inside the rubber and replace)



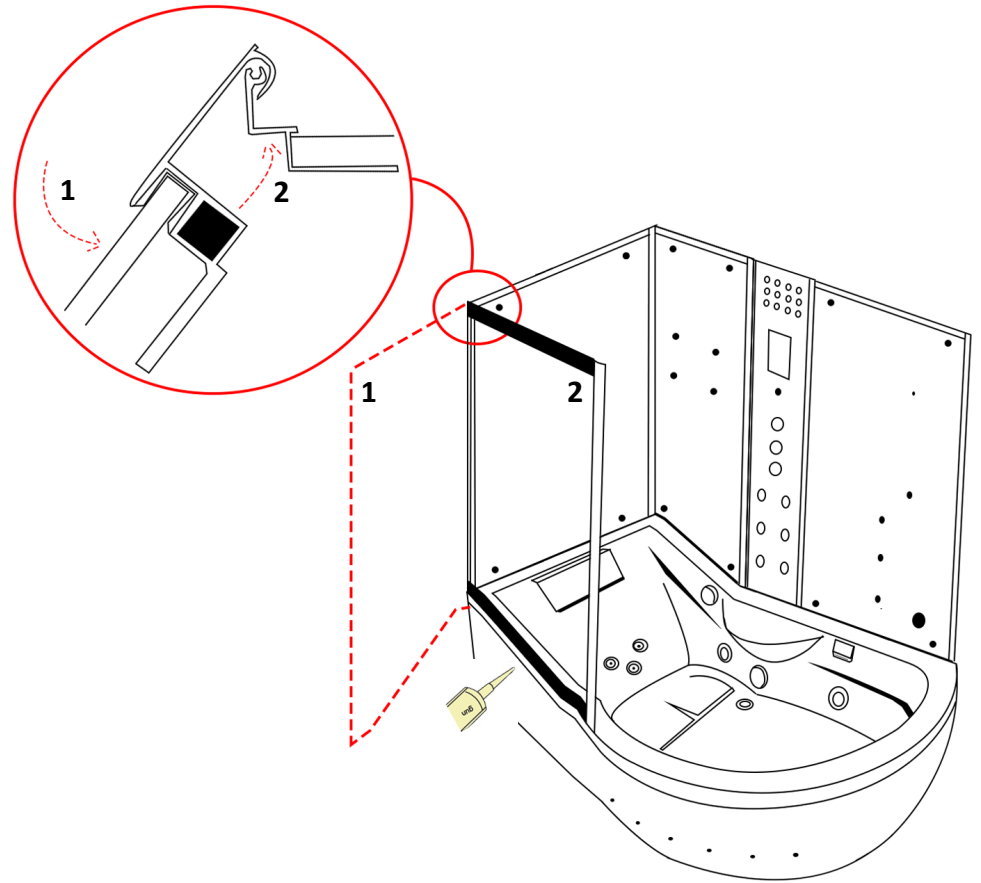
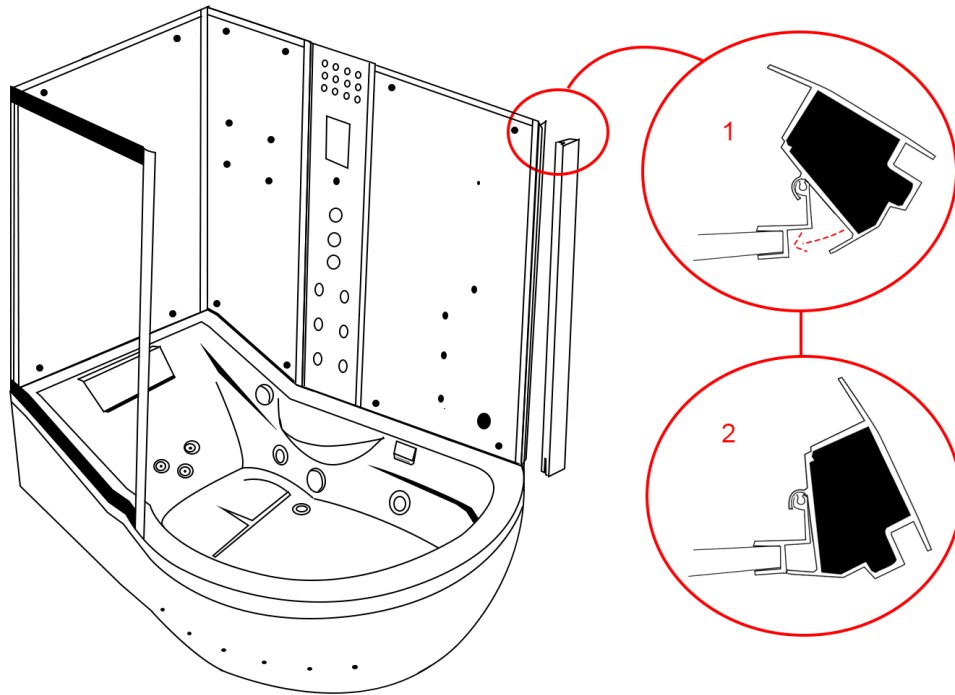
Step 3

Now apply silicone to both sides and the bottom of the large square back glass panel to the column and fix together using the **ST20** screws.

Step 4

Apply silicone to the angled front glass and now lock the front angled glass panel to the side glass panel by following the position shown in the image marked "1"

Once you have met the back panel inside the front upright as per the close up image walk the panel around to the position shown in the image marked "2"



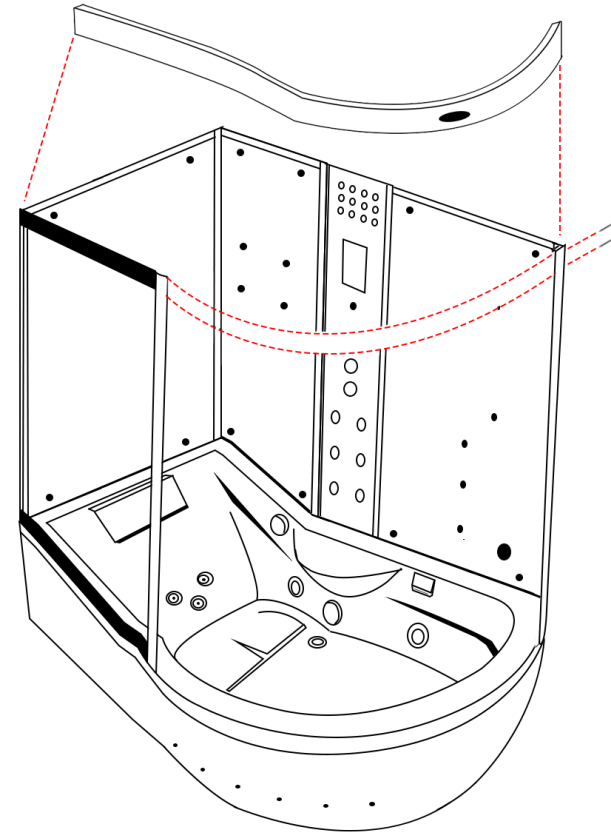
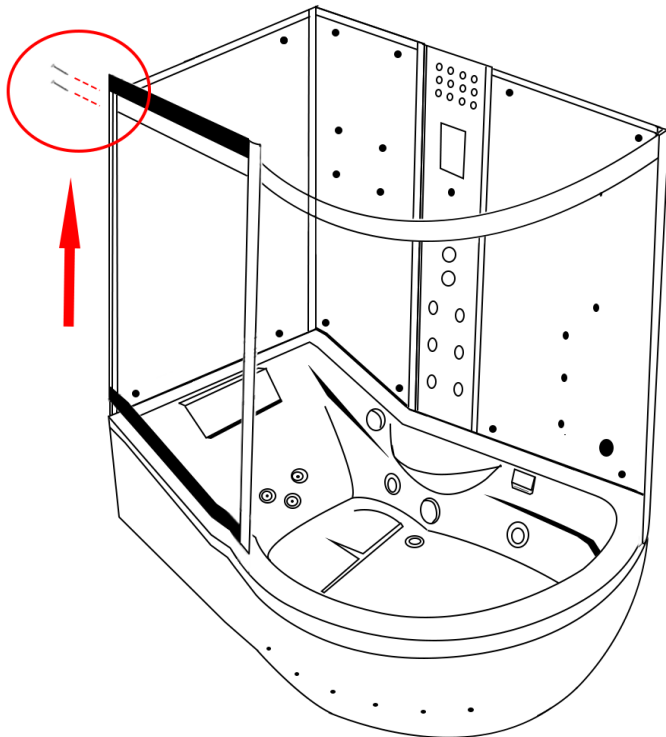
Step 5

Next using the angled upright, lock this to the rear squared glass panel by following the position shown in the image marked "1"

Now move the angled upright in the direction as shown in image "1" until this locks into place as of image "2"

Step 6

Lower the top curved rail into position and screw from the rear side as per the image using the **ST14** screws

**Step 7**

Now using the **ST35** screws, fix the front of the top curved rail onto the upright of the front fixed angled glass.

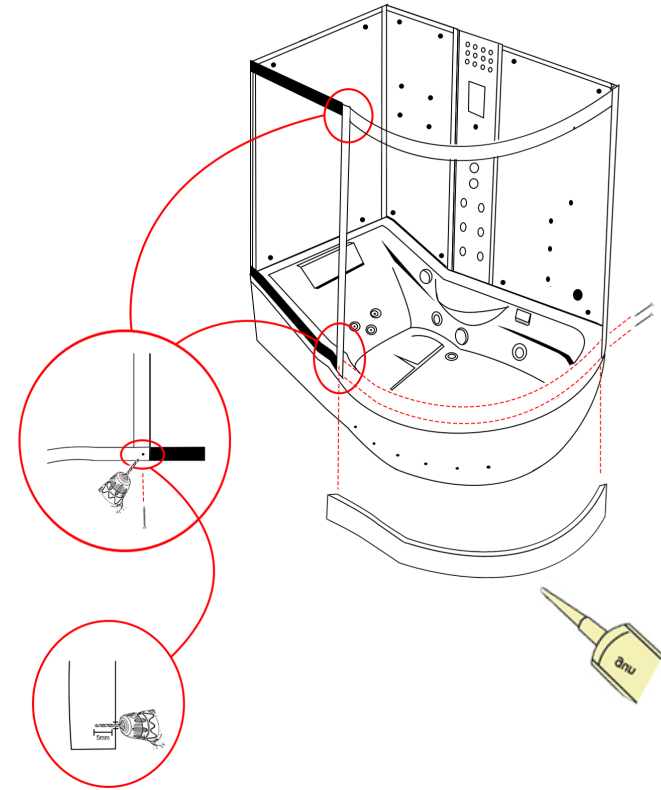
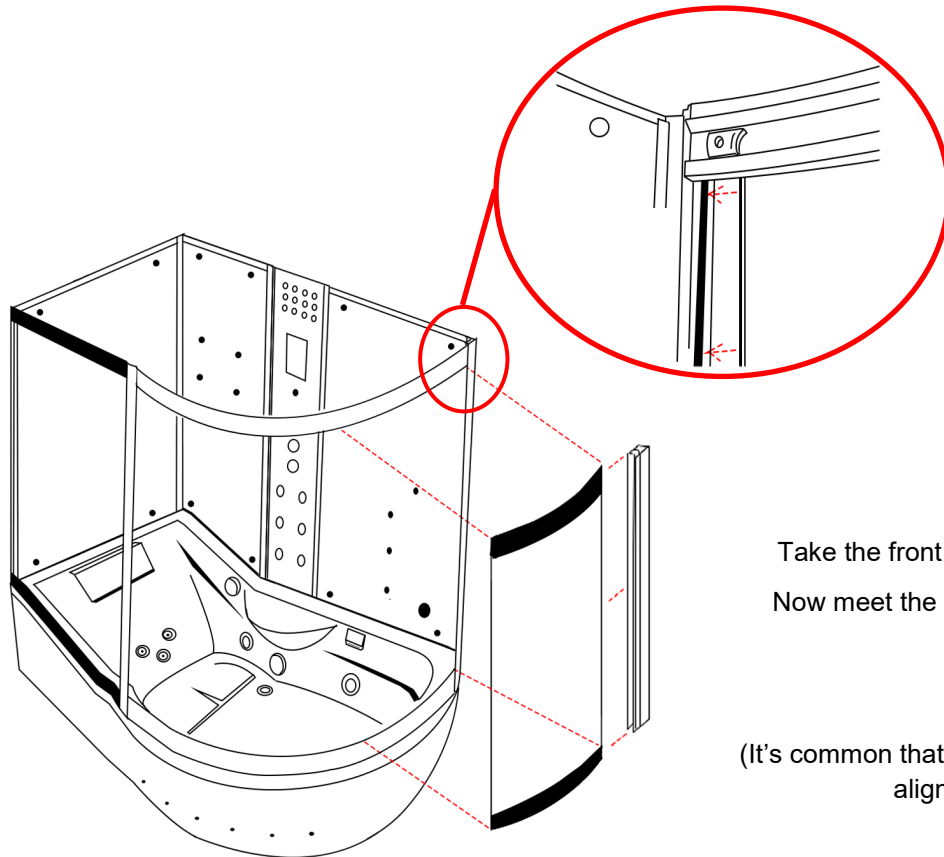
Please note in order to do this you will need to slide up the front fixed panel roughly 3 inches to expose the screw holes.

Once secured lower the panel back into position.

Step 8

Now silicone the bottom of the remaining curved rail and place into position as per image and fix this into place using the **ST35** screws

Please note that when drilling the holes to take the screws this is at a depth no deeper than 5mm. **Step 8**



Step 9

Take the front curved glass panel and attach the “U” shape glass seal onto the right hand side. Now meet the glass panel onto the curved rails and slide into the upright on the right hand side.

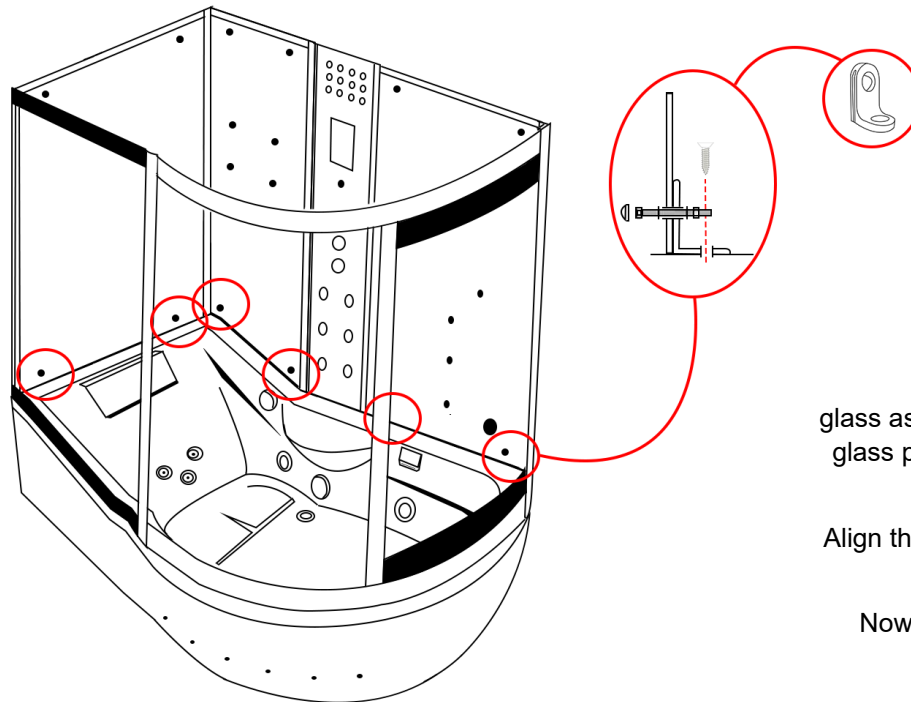
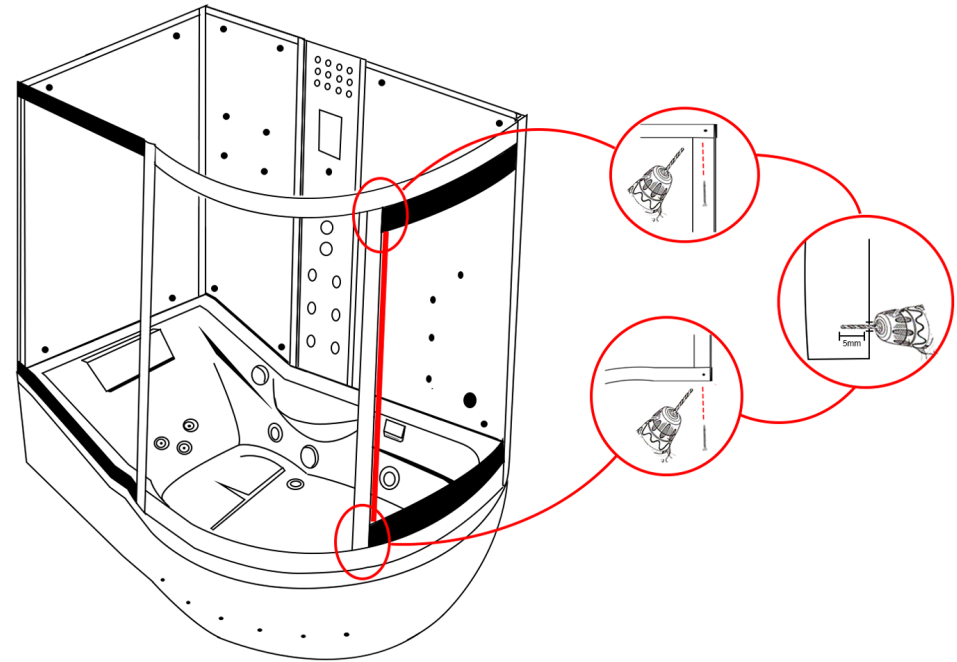
NOTE:

(It's common that the curved glass once is position may not fit completely snug against the rail due to alignment. This is normal and is as is rectified by the use of a silicone seal)

Step 10

Insert remaining upright to the left of the curved glass panel. Drill and screw this into position using the **ST14** and once fixed slide the flat rubber glass seal into this newly fitted upright on the inside (as of the red line in the image)

Please note, ensure you drill no deeper than 5mm



Step 11

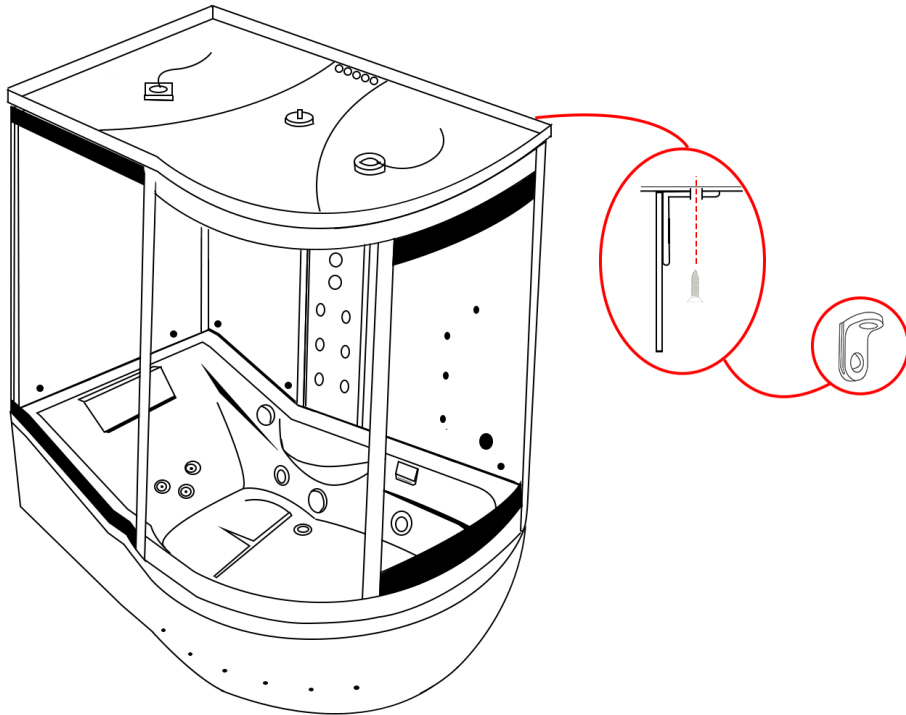
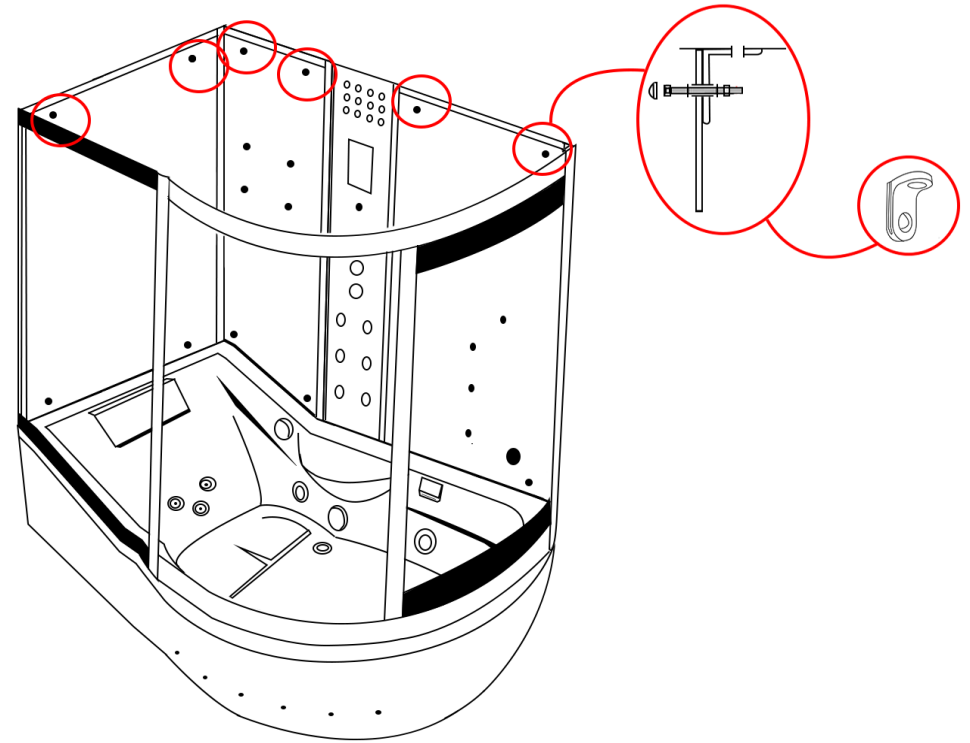
Pierce through the holes using a screwdriver to show pre-cut holes in the glass as indicated in the image. Now using the chrome “L” brackets, fix these to the glass panels using the provided nuts and bolts (**B22**) please ensure the bolt goes through the plastic cover holder (**PCH13**) first

Align the shower panels until you are happy with the sitting of these and now using the **ST25** screws, screw the brackets to the tub

Now place the Chrome cover caps (**CPC16**) onto the cover holders (**PCH13**)

Step 12

Pierce through the holes using a screwdriver to show pre-cut holes in the glass as indicated in the image. Now repeat the process from step 11 to secure the roof to the glass panels



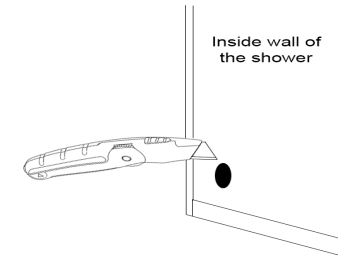
Step 13

Align the shower roof to your side panels and when you are happy with the alignment of the roof, use the **ST14** screws to screw this into place

Accessory Installation

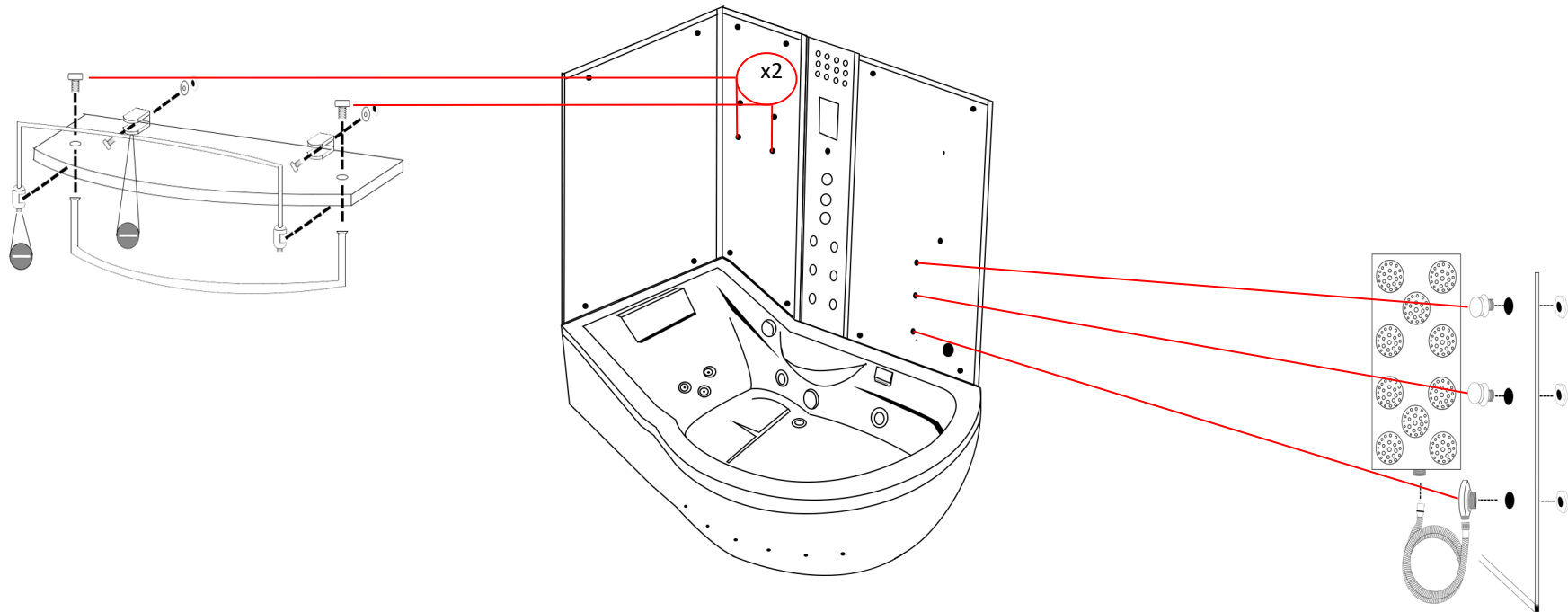
Please Note

Ensure all grey backing film on the rear of the glass panels are pierced through the existing glass holes with a knife to provide an efficient smooth fitting and location of the accessories. We recommend using a screwdriver on the smaller holes.



Shelf

Fix the chrome floating shelf brackets to your glass back panel by using the provided screws. Now attach the chrome tubed bars to your glass shelf as illustrated in the below image. Next slide the shelf into your shelf brackets and secure by tightening the grub screw situated on the bottom of the bracket.



Foot Massager

Fix the provided white plastic foot massage retaining knobs to your glass back panel along with your chrome water outlet as shown in the above image. To hang the foot massager itself to the wall, push the massager onto the retaining knobs ensuring the holes on the underside of the foot massager are aligned.

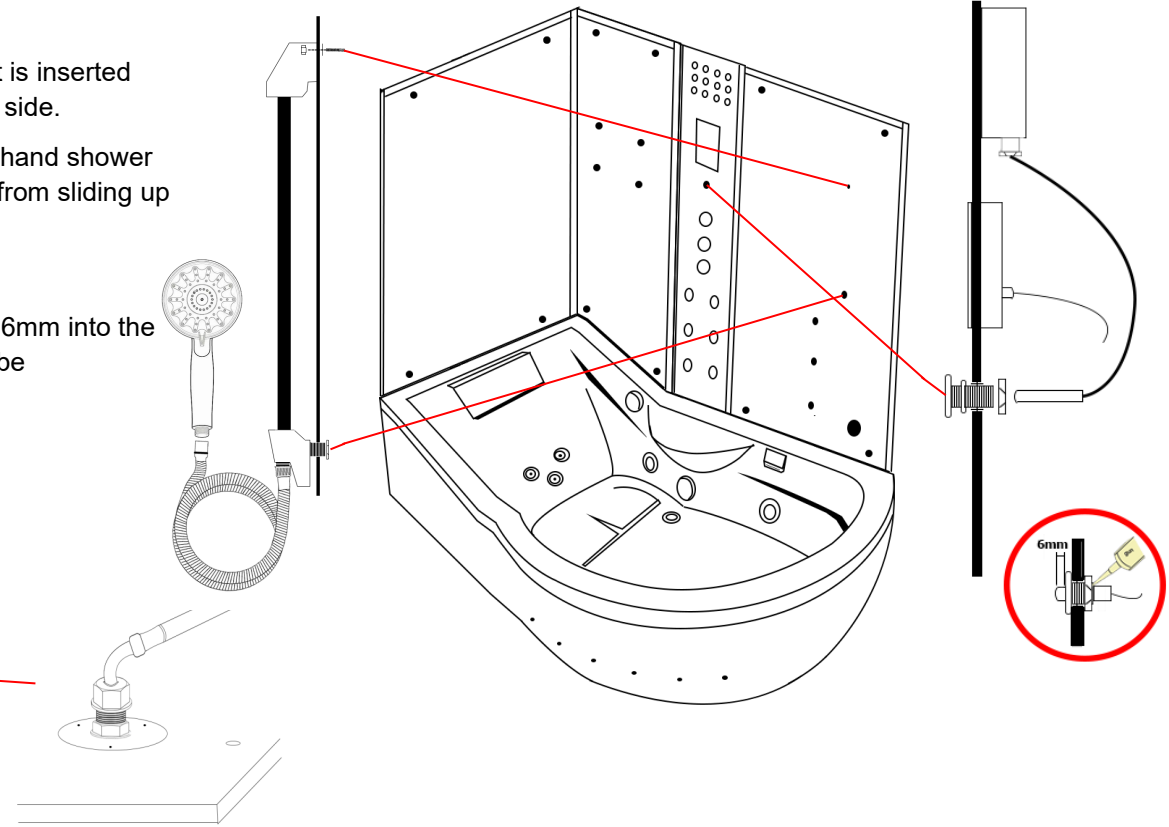
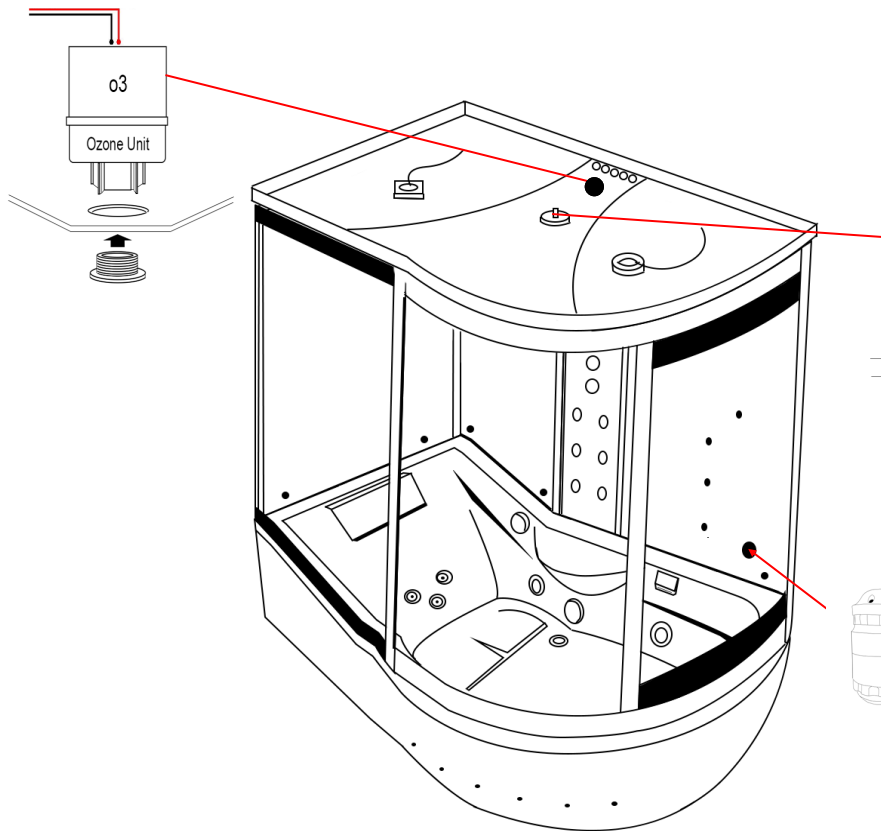
Hand Shower

Attach the chrome riser bar to the glass wall ensuring the water inlet is inserted through the lower large hole and hand tightened from the rear side.

Now tighten the chrome shower holder ensuring that this will take the hand shower itself without falling (please note over tightening will prevent the holder from sliding up and down)

Thermostatic Probe

Insert the probe into the hole situated below the control panel roughly 6mm into the cabin and run clear silicone around the rear side of the probe



Ozone (o3)

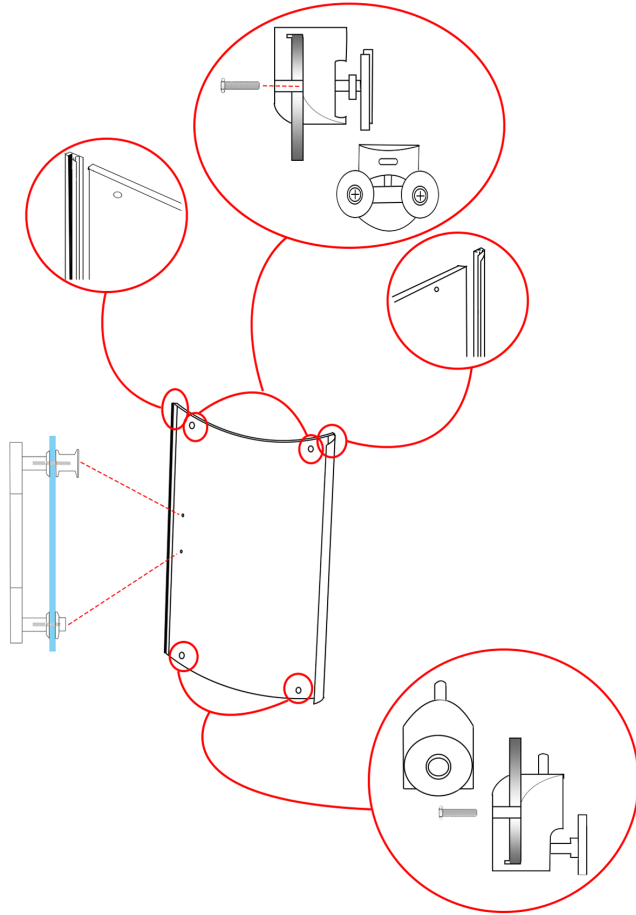
Unscrew the chrome pepper pot end and drop the white box upside down into the rear hole as shown in the image. Now from the inside of the shower re-attach the chrome pepper pot end and tighten.

Monsoon Head

Attach the grey hose from your valve to the inner black tube using PTFE tape (please note this only needs to be hand tight. Over tightening will snap/damage the inner black tube)

Steam Pod

Insert the pod from the inside of the shower and attach large white nut from the rear.



Door Seals

Magnetic Seal: Push the magnetic door seal on the handle side of the glass door ensuring this is tightly fitted.

Rear Door Seal: Place the rear door seal on the opposite side to the magnetic strip ensuring the flap is facing the fixed glass panel

Handle

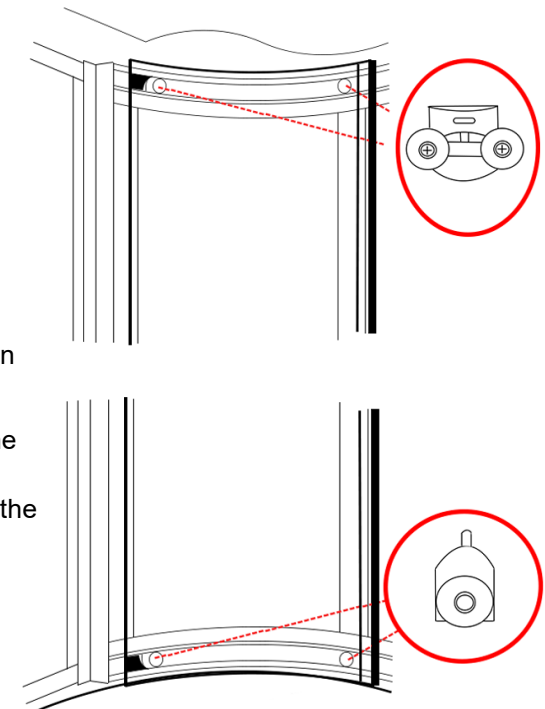
Ensuring that the inner thread is protruding out from the handle far enough, place the handle on the outside of the door and secure by tightening the inner chrome knob to the protruding inner thread

Door Wheels

Fit the adjustable wheels to the top and bottom of the glass doors and ensure the wheels are facing towards the rail then hang the top wheels on to the top inner curved rail.

Now on the bottom wheels please push the button to lower the wheel for ease of installation and push the wheel into the bottom curve rail. Once you are happy that the wheel is in the track, depress the button and allow the wheel to enter therefore ensuring a secure a tight fit. Next adjust the top wheels by turning the screw clockwise in which in turn will pull the wheels towards the track ensuring a secure a tight fit.

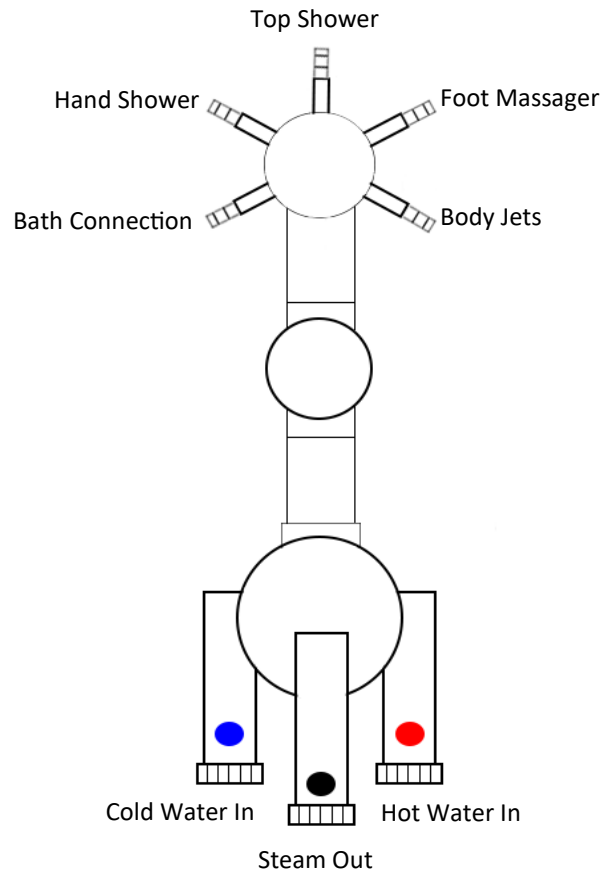
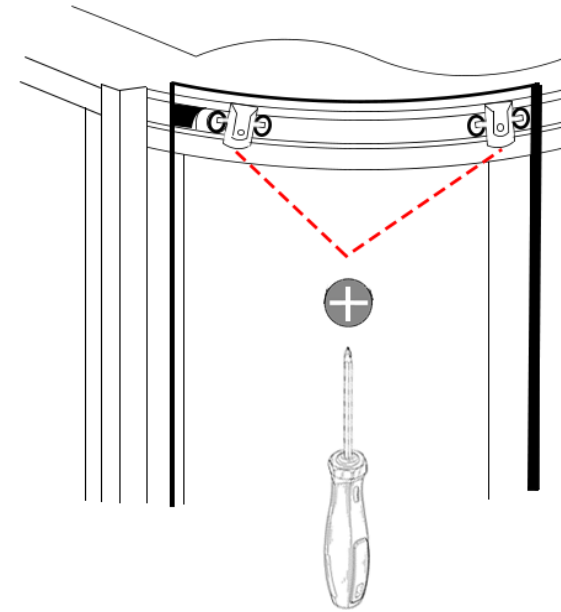
Now grease the track to ensure a smooth and long lasting operation (not supplied)



Door Seals

Magnetic Seal: Push the magnetic door seal on the handle side of the glass door ensuring this is tightly fitted.

Rear Door Seal: Place the rear door seal on the opposite side to the magnetic strip ensuring the



Shower Valve

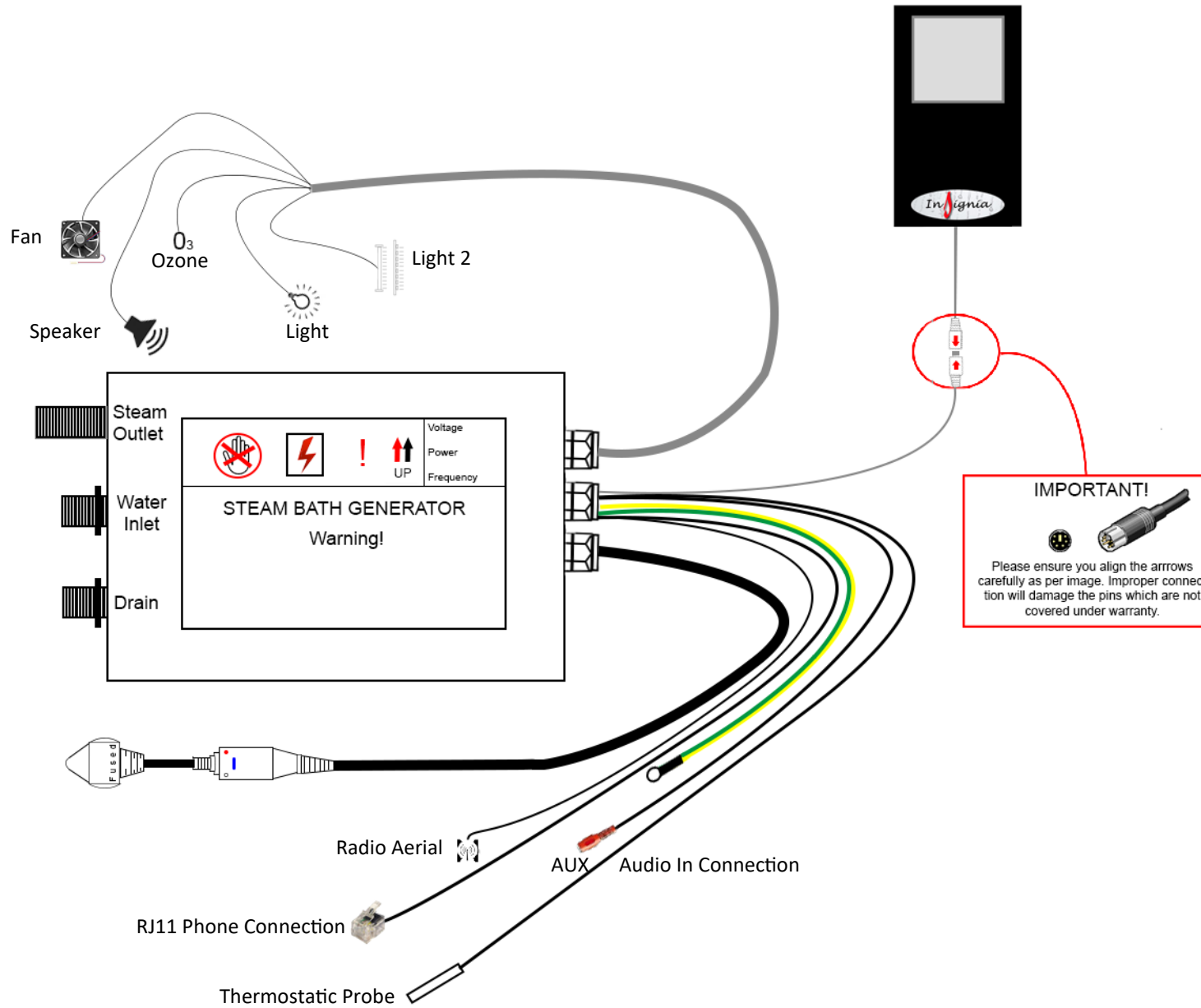
Device output may differ from the image. Please refer to your outer chrome faceplate inside your Insignia shower as a reference point.

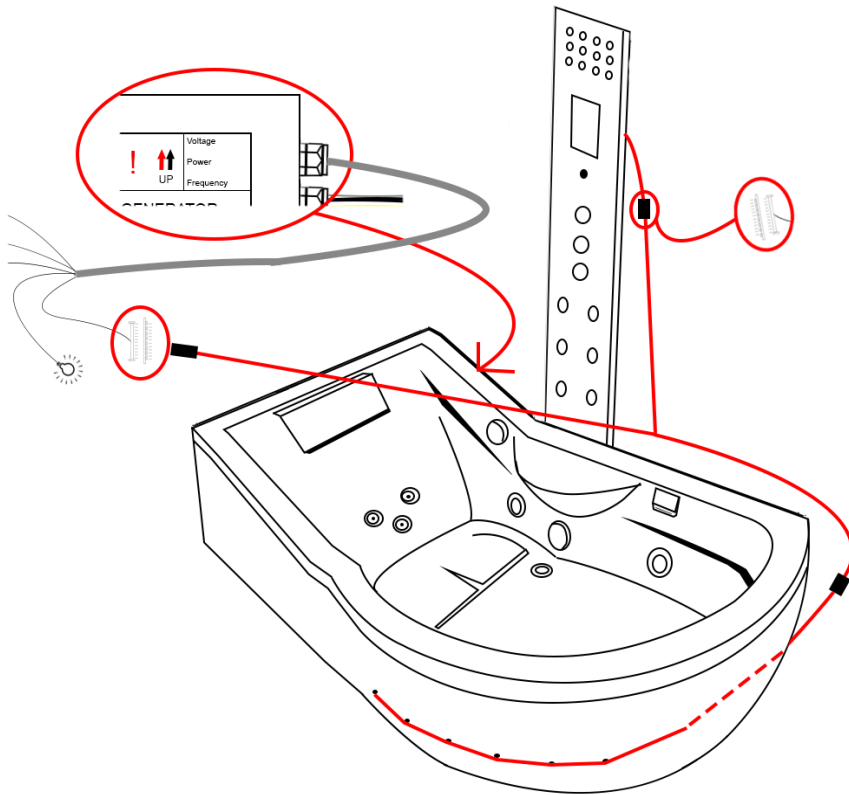
IF YOUR DIAL DOES NOT CORROSPOND TO THE APPROPRIATE DEVICE:

Turn on your water to the shower and note which output the water exits from then turn off the water and swap over the relevant hose.

Alternatively remove the outer chrome knob by removing the chrome cap and loosening the grub screw (please ensure not to unscrew fully as this will drop within the chrome knob) this is found on the opposite side to the chrome pillar. Once you have succeeded in loosening this you can now slide your faceplate to correspond to the device.

Electric Box/Steam Generator Connections





Connection For Tray & Column Lights

Using the supplied extension lead, please connect the end with the single connection to your tub lights. Next bring the extension lead up the back of the shower and connect one of the plugs to the column lights (essentially bridging the two sets of lights together)

Now with the remaining connection, connect this into the wire coming from the electric box with the column light sticker on (as shown in the image)

Safety precautions

Never leave children unattended in the shower or bath.

Never bath children (under 12) using whirlpool function if fitted.

Regulate the temperature of water before showering

Never allow children to use the steam function. This function is for
ADULTS ONLY.

Always be aware of the steam outlet pod position. Never use in close proximity to the person using it.

Never use this shower if you have been drinking alcohol.

Never use with more than one person unless the shower is designed for this.

This product is not to be used for washing/bathing animals

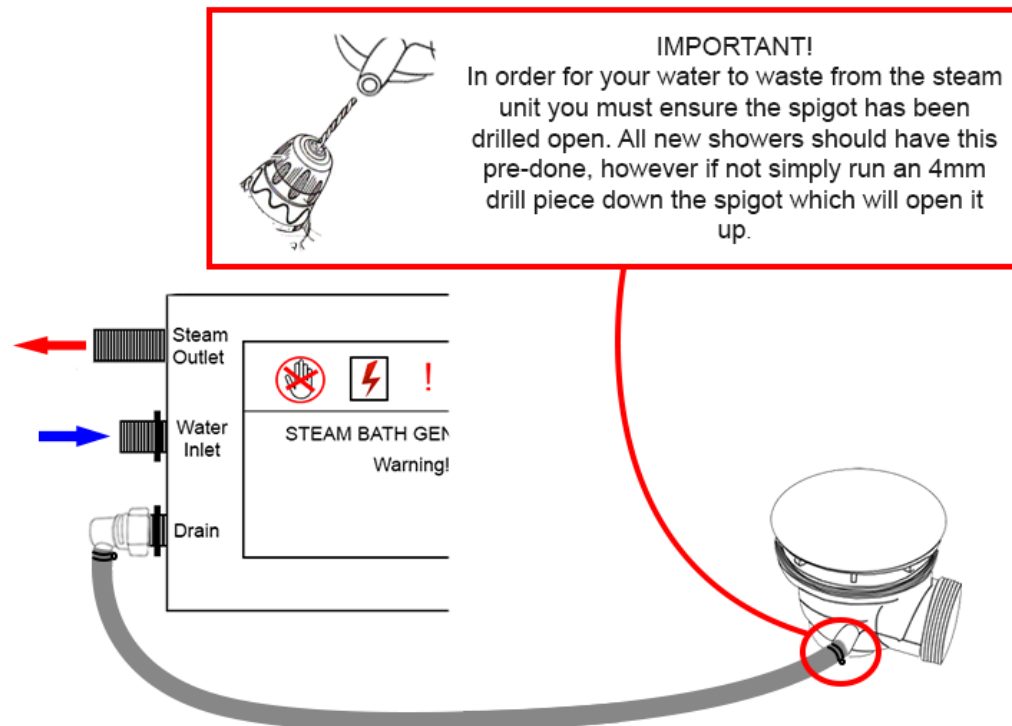
Steam Generator Connections

The steam generator has 3 connections.

Steam Outlet: Connect the white insulated hose to the white steam pod within your shower. Make sure these are fitted in the correct position as they are only attached for transportation reasons only.

Water Inlet: Connect a braided hose from the shower valve's centre feed to this opening.

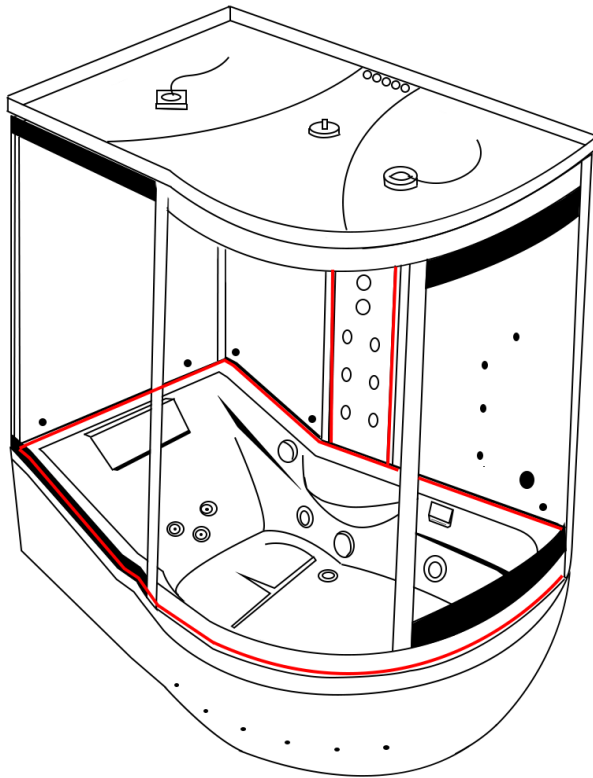
Drain: Connect the grey rubber hose from the steam generators drain opening to the nozzle on the shower waste (as shown in the below image)



Silicone Seal where shown in red on the inside of the shower

TESTING FOR WATER LEAKS

LEAVING SHOWER 24 HOURS AFTER BUILD ALLOWING SEALENT TO CURE



With all connections tight, the waste and hoses checked, jets fully sealed, your shower still around 18 inches from its designated final resting point and the silicone fully cured (hence leaving for 24 hours minimum) Switch on the overhead shower NOT the massage jets, remember these will fire water out at you and are not suitable for checking leaks as they would normally only operate when a person is in front of them. Just use COLD water setting as hot will make cabin misty and condensate thus the inspection becomes very difficult. Now on the OUTSIDE of the shower inspect each joint, factory seal, hose, clip and jet by walking from one side and going around to the back and then to the other side finishing at the front. If you have a small leak (normally caused through insufficient sealer or air bubble on assembly, dry the area thoroughly and reseal on the OUTSIDE. Please remember where you see the water this may not be exactly where the leak is as it could have run around to a low point. Never seal your inner fittings (accessories) inside unless you feel it necessary and make sure it is thin and neat, remember you will see this for the life of the shower!

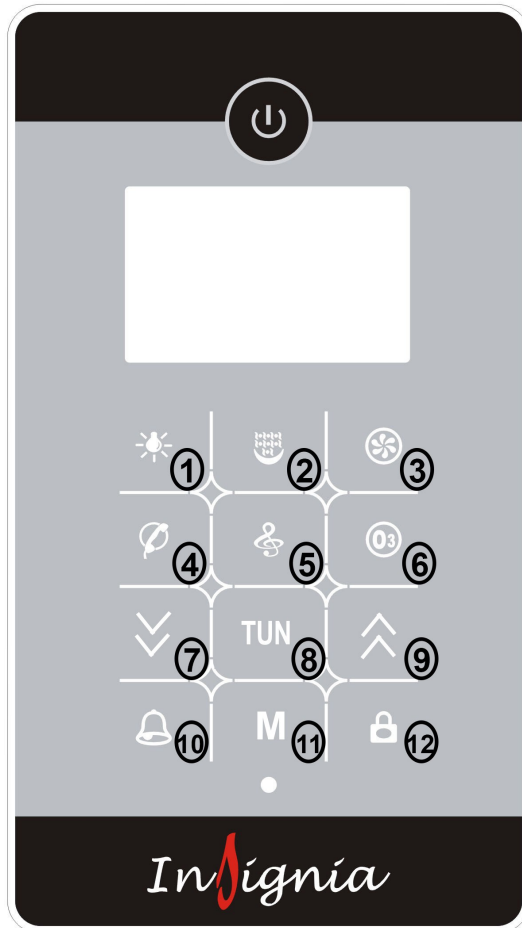
Again leave to cure and check. If all good now check shower functions i.e. jets for back massage, foot massage, (if you have one) and finally hand shower, check your joints to these functions at the rear again. Never use the shower until **all** checks have been made and the installer is 100% happy in the knowledge no leaks are present.

All good?

Now push your shower FROM THE BASE NEVER GLASS OR FRAME into its final resting position. Now you can shower in the knowledge that you have no leaks a job done well and long product life.

Happy showering!

MK117 Control Panel Instructions



Button 1 (Light Bulb)

Press 1x For Top Light

Press 2x For Column Light

Press 3x For All Lights

Press 4x To Switch Off Lights

Button 2 (Steam)

On/Off

Button 3 (Fan)

On/Off

Button 4 (Telephone)

Answer telephone

Button 5 (Radio)

On

Button 6 (O3)

Ozone cleaner activation button

down

Button 7 (Down Arrow)

Channel select down/manual search

Button 8 (TUN)

Switch Between manual & auto radio searching

Button 9 (Up Arrow)

Channel select up/manual search up

Button 10 (Alarm)

Activate Alarm

Button 11 (M)

Set Steam Time & Temperature/When Radio is active this button will activate the arrows to become volume buttons

Button 12 (Lock)

The control panel will automatically lock when not in use for a short time, hold this button down for 3 seconds until a beep is heard and this will unlock and reactivate the control panel for use

PLEASE NOTE

(when in lock mode the display will have 2 flashing lines on the display and the only button that will work is the alarm)

Need Help?

If so then simply download Insignia's free comprehensive help and troubleshooting brochure now!

Simply visit: www.insigniarange.co.uk/help.aspx



**INSIGNIA PRODUCTS
HELP I HAVE PROBLEMS AND
NEED ANSWERS NOW!**



PLEASE KEEP IN SAFE PLACE

www.insigniarange.co.uk

Parts List

Internal Items

Part Code	Part Description
SP134	Monsoon Shower head
SP056	Ozone Module (for Steam Showers)
SP040	Massage jet—2 open ends
SP040A	Massage jet—1 open, 1 closed
SP236	Riser bar
SP112	Shower holder (warranty only)
SP120	Water inlet (warranty only)
SP078	Shower waste
SP097	Chrome rectangular door handles
SP240	Glass Shelf
SP080	Head rest
SP050	Seat rest
SP196	Thermo sensor holder
SP072	Door stoppers
SP023	Door Wheels
SP006	Steam Pod
SP105	Chrome Flexible Hose
SP060	Electrical extension cable
SP239	Foot Massager
SP055	Foot massager retaining knobs
SP003	Ring light
SP038	Speaker
SP007	Fan
SP028	Under water LED light

SP037	Fan & Speaker cover
SP164	MK117 Control panel
SP152	Standard shower head
SP166	Approximately 4 meters of "U Style" seals
SP057	90 Degree Chrome Water Inlet (for foot massager)
SP212	Column lights
SP213	Roof lights
SP185	Bath Filler
SP059	Air valve operation switch
SP098	Chrome air jet
SP052	Whirlpool pump switch

External Items

Part Code	Part Description
SP300	Waste hose
SP301	White insulated pipe
SP221	Drain Hose
SP233	steam generator/electric box
SP312	Magnetic door seals

SP155	5 port—3 feed thermo-static valve
SP309	Rear door seal

Framework

Part Code	Part Description
GT8059L-6	Top Rail
GT8059L-7	Bottom rail
GT8059L-3	Tub
GT8059L-10	Blank roof
GT8059L-11	Blank column
GT8059L-9	Right upright

Glass

Part Code	Part Description
GT8059L-13	Right Backwall (Rectangular piece)
GT8059L-12	Left Backwall (Angled piece)
GT8059L-5	Glass door
GT8059L-14	Front fixed glass (Angled piece)
GT8059L-4	Front fixed glass (Curved piece)

All images are registered with
ImageTraker

All images are subject to copyright. Images may not be used in any way shape or form with out written permission from Maclean International Ltd. Images are NOT permitted to be saved, printed or uploaded. Violation of copyright laws are punishable by law.

Insignia™ is a registered trademark of Maclean International Ltd