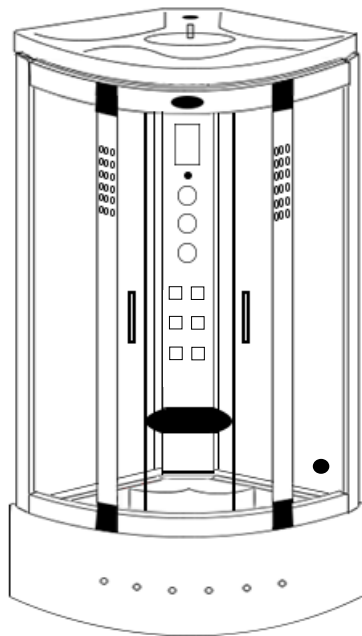




www.insigniarange.co.uk

INSTALLATION MANUAL

GT4000



30 Day Technical Support: 01908 226545

(NOTE: This service is only available to customers from the day of delivery, please have your supplier's details and your postcode to hand before calling)

Replacements Parts: inside of your warranty contact:
www.insigniarange.co.uk/customerService.aspx

Spares/Replacements Parts: outside of your warranty
contact **0844 800 3069**

ATTENTION INSTALLERS:

These instructions must be
left with the customer

WARRANTY REG NO: _____

To claim your full 5 year warranty, register your shower within 90 days of delivery at:
www.insigniarange.co.uk/warrantyreg.aspx. Standard 12 month warranty applies if outside this time period.

Contents

| | |
|----------------------------------|----|
| Introduction | 3 |
| Electrical Requirements | 5 |
| What's In The Boxes? | 6 |
| Screw Pack Contents | 7 |
| Plumbing Requirements | 8 |
| Starting The Installation | 9 |
| Electric Box Connections | 18 |
| Steam Generator Connections | 19 |
| Sealing and Water Testing | 20 |
| MK117 Control Panel Instructions | 21 |
| Help Book Information | 22 |
| Parts List | 23 |



Thank you for your recent purchase of an Insignia shower. Please read this booklet with great care to ensure you get the best out of your build and have a shower that will last for many years to come!

Like everything, in order to obtain a first class product that will serve you well for many years, the effort and correctness put into the assembly will reflect in the quality of your finish.

OUR BADGE RATING IN TERMS OF DIFFICULTY OF ASSEMBLY IS BASED ON CLIENT FEEDBACK

1 Badge = Very easy

2 Badges = Easy

3 Badges = Moderate

4 Badges = Harder than average

5 Badges = Professional skills required

This shower is rated 3 Badges



ASSEMBLY AND SIMPLE PLUMBING

THIS PRODUCT BUILD IS RATED SUITABLE FOR DIY PURPOSES PROVIDING THE CUSTOMER IS OF ABOVE AVERAGE SKILLS AND FEELS CONFIDENT IN THEIR ABILITY. ONLY YOU THE CUSTOMER WILL KNOW THIS SO BEFORE ANY ATTEMPT IS MADE TO ASSEMBLY READ THROUGH THE FOLLOWING PAGES IN DETAIL THEN DECIDE. IF YOU HAVE ANY DOUBT USE THE SERVICES OF A PROFESSIONAL. IN PICKING SUCH, ALLOW THEM TO DECIDE IF THEY ARE CAPABLE OF BUILD BY FIRST SHOWING THESE INSTRUCTIONS TO THEM. ALWAYS GET THREE QUOTES.

REMEMBER THE BEST IS NOT ALWAYS THE CHEAPEST!

REMEMBER PLUMBERS PLUMB! 90% OF THIS JOB IS NOT PLUMBING!

DUE TO THE NATURE OF THIS PRODUCT WE HIGHLY ADVISE THE PURCHASE AND FITTING OF A WATER SOFTENER

ELECTRICAL CONNECTION TO HOUSE MAINS

WHEN YOUR ITEM IS ASSEMBLED ALWAYS USE THE SERVICES OF A FULLY QUALIFIED ELECTRICAL COMPANY TO COMPLETE CONNECTION FROM SHOWER TO HOUSE SUPPLY. LAWS DEMAND IN MANY CASES YOU DO THIS AND YOUR WARRANTY IS VOID REGARDS ELECTRICAL ITEMS IF THIS IS NOT UNDERTAKEN.

YOURS AND OTHERS SAFETY IS PARAMOUNT. NEVER ATTEMPT THIS YOURSELF.

REMEMBER:

These showers are designed to be free standing and movable from their location should you have need to replace anything. ALWAYS USE Flexible braided water inlet pipes at least a metre long (not central heating plastic type!)

from house supply to the shower and again flexible waste pipe to join to your house waste. NEVER fix with rigid pipes, never fix the unit to the wall.

DURING BUILD, LIKE ALL SHOWERS CORRECT SEALING IS IMPERATIVE.

ATTENTION

ALWAYS FIT EASY TO GET TO TAPS ON BOTH HOT AND COLD WATER SUPPLY. AS A DISHWASHER OR WASHING MACHINE, THIS PRODUCT MUST BE ISOLATED WHEN NOT IN USE. FLEXI SUPPLY HOSES (SUPPLIED) COUPLE HERE AS ORIGIN OF SUPPLY

YOU WILL NEED**TOTAL ELECTRICAL REQUIREMENTS**

Voltage Rating 220 -240AC
 Frequency Rating 50HZ
 Power Rating 3.0KW

Other than steam generator
 Internal Circuit Voltage is 12V
 Internal Current Rating 0.17A

Your electrical contractor should understand **ALL** legal requirements of connection before undertaking any work or installation.

UNDER NO CIRCUMSTANCES UNDERTAKE THIS YOURSELF!!!

Note for electrician. This product comes with 13 amp plug(s) fitted with an RCD unit. We leave it this way for you to connect this your own way due to continued additions to current regulations. As at October 2010 we offered two methods.

- 1) Connect within current laws and IP directives using plug and RCD provided with steam version or supply one for non steam version
- 2) (Preferred) Wire into isolated fused feed connecting directly to the house consumer/service box. Remove the fitted plug and ensure the Consumer unit has capabilities to replace RCD feature if RCD is removed.

Always use protection against electrical surge. Your shower should be treated the same as a home computer. A surge protector should eradicate the possibility of either the transformer or computer control being burnt out. Please note earth is required and found on chassis of shower tray. A further earth is required from Steam Generator unit. Each earth must ground through power supply line.

Requirements

Scissors



Stanley Blade



Silicone Gun



Spirit Level



Tape Measure



Philips Screwdriver



Electric Drill

Whilst the next steps show you how to assemble your shower we want to make sure you have a correct build to ensure you get a trouble free shower. Therefore our advice is to follow the instructions and perform a dry run to ensure you are confident with the build and you understand fully how the unit is assembled. When we use the word "DRY RUN" this means you do not silicone anything, just simply construct the shower, align, drill and screw everything together. Once you are happy with the build take the unit apart and carry out the final fix.

What's In The Boxes?

Tray Box

1x Tray

1x Roof

2x Curved Rails

Internal Accessories, Screw Pack & 2 x extension cables

Glass Room

2x Door seals

2x Glass doors

2x fixed glass

2 x Magnetic Seals

Column

1x Complete column with control panel

2 x Front columns with pre-fitted LEDs

2 x Aluminium Uprights

Backwalls

1x Left Panel Backwall

1x Right Panel Backwall

Insignia Screw Pack

| Product Code | Description | Quantity |
|--------------|---------------|----------|
| SP097 | Door Handles | 2 |
| SP008 | Door Wheels | 8 |
| ST20 | 20mm Screws | 20 |
| ST35 | 35mm Screws | 10 |
| ST14 | 14mm Screws | 6 |
| ST25 | 25mm Screws | 10 |
| SW9 | Small Washers | 20 |
| DB6 | Drill Piece | 1 |
| ST55 | 55mm Screws | 9 |

Note: In some cases you may have more screws than needed, this is done so you have spares!

VERY IMPORTANT

Have you got everything? If not please contact the Insignia Support Line on 01908 226545. Remember **NEVER** book your tradesman until everything has arrived, been checked and is present. No replacement/missing parts can be obtained free of charge during or after the build. Any claims can only be within the timescale permitted (48 hours after delivery) and always **BEFORE** build.

Pressure Requirements from your house supply

We recommend a bar pressure between 2.5 and 3.4 BAR. If you have a combi boiler system no problem should be experienced. If you have a gravity feed older type installation (hot water tank type usually less than 1 bar) you will almost certainly need a pump. We cannot advise on which type of pump is used, location or design because all house plumbing layouts vary. This is a job for your installer/plumber. The end delivery however must fall within the scope above.

Debit Requirements

You will need the debit capabilities of at least 10 litres per minute. Again an average combi boiler will supply this but please check if you have a gravity feed system.

Important Note Do not exceed 3.4 BAR pressure under any circumstances. Warranty is void if so as damage will occur. If you have a combi supply, please use a pressure reducing valve if required to lower the BAR pressure to the shower.

Please Remember that this product is free standing and is designed to be pulled away from the wall. The water supply and waste require flexible pipes. If you purchased the fitting kit with this shower you will have the required fittings. The water supply pipes need to be at least 1 metre in length and must be that of a flexi braided type..

DO NOT OVERTIGHTEN IT CAN CAUSE THE CONNECTION TO POP AFTER A FEW WEEKS OF USE

Please note if a shower pump is used via gravity system we recommend a separate cold feed bypassing pump direct to generator to avoid damage to the generator.

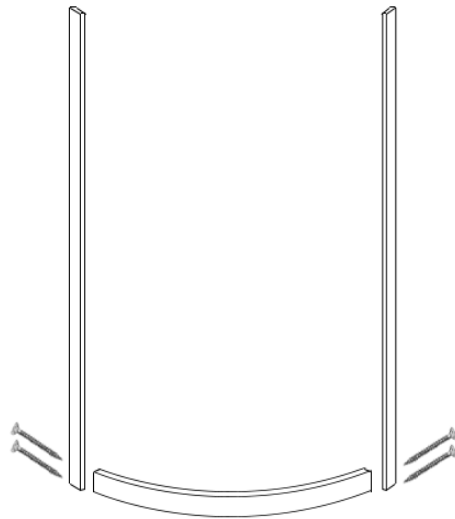
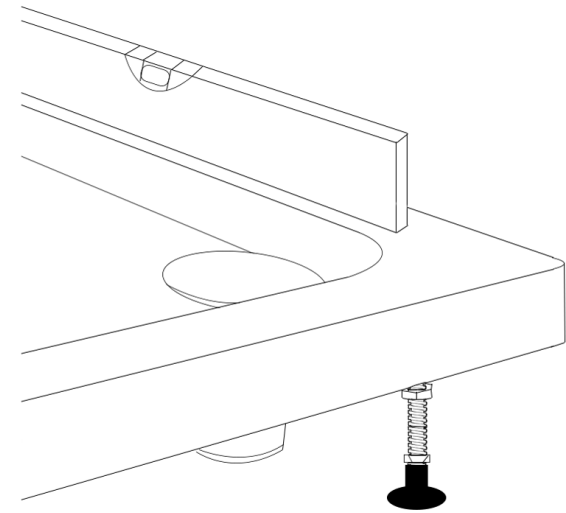
Further to this as you would with a washing machine or dishwasher, it is highly recommended that accessible water valve taps are installed to turn off the shower when not in use. This will avoid any possible flooding due to a burst pipe or connection failure in the future.

TO START

Make sure you have a clear space, remember when finished and in place you need access to check your build and able to pull the shower tray out for servicing or should you have the need to replace anything!

Take the shower tray and remove all the protective wrapping and fit the waste. If you purchased the fitting kit it is possible this may have already been fitted in the tray hole yet please note this is only for transportation reasons therefore you will still need to ensure the correct sealing and alignment is carried out. In the side of the waste supplied in the optional fitting kit you will notice a spigot not seen on an ordinary waste. In most cases this is blanked yet should you have a steam version you need to gently drill this out as this item is for the steam generator drainage and will be connected in the instructions later.

Now please level the tray by firstly placing the tray in its final location and then using a spirit level, adjust the tray feet accordingly. Once you are happy with the levelling of the tray, you can pull it out to begin the main construction.



Step 1

Attach the uprights to the bottom curved rail using the **ST55** screws
(Thinner rail without Insignia logo on)

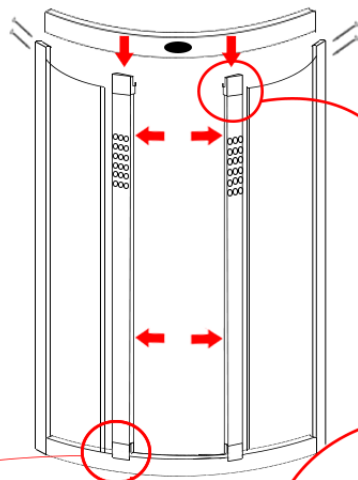
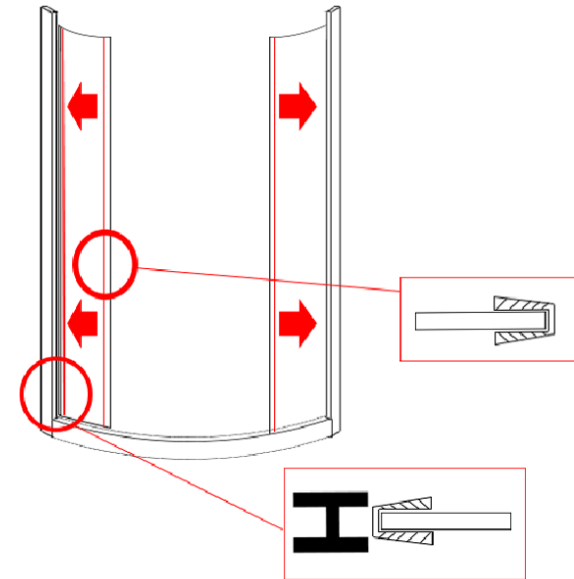
Step 2

Push the "U Shape" glass seal onto each side of the glass panels prior to insertion into the frames.

The next step is to attach both front fixed glass panels. In order to do this take the glass panel and offer it up to the upright as shown by the arrows.

Step 3

Attach both front uprights and the top rail. In order to do this insert the front uprights over the glass seal as push on tightly as directed by the arrows in the image. The columns are handed and can only fit one way.



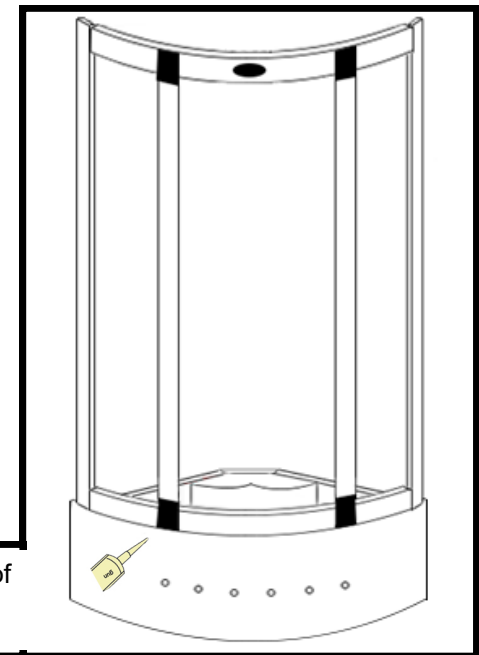
IMPORTANT! When fitting the top rail ensure the wires from the column lights are held against the back of the grey plastic clips poking out of the top. The rail is designed to sandwich the wires between the front of the rail and the back of the grey clips.

Now attach the top rail (wide rail with logo) and then screw into place using the **ST55** screws

Once the top rail is in place, secure the front uprights to the top and bottom rails (from inside the cabin) using **ST14** screws

Once you are happy with the alignment, run a bead of silicone along the bottom of the frame

Now place your completed front frame on the front of the shower tray as per the image on the right

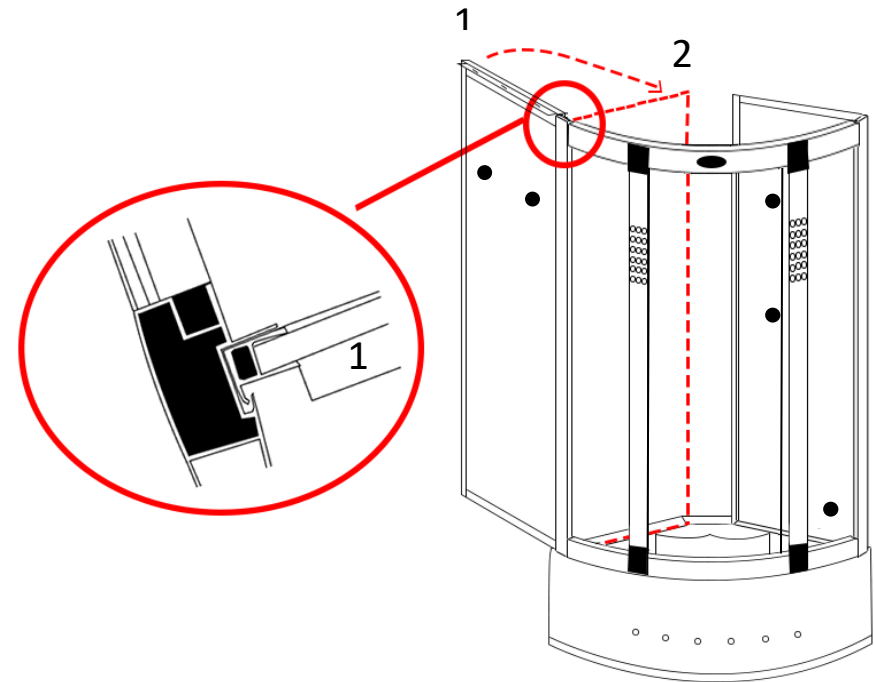
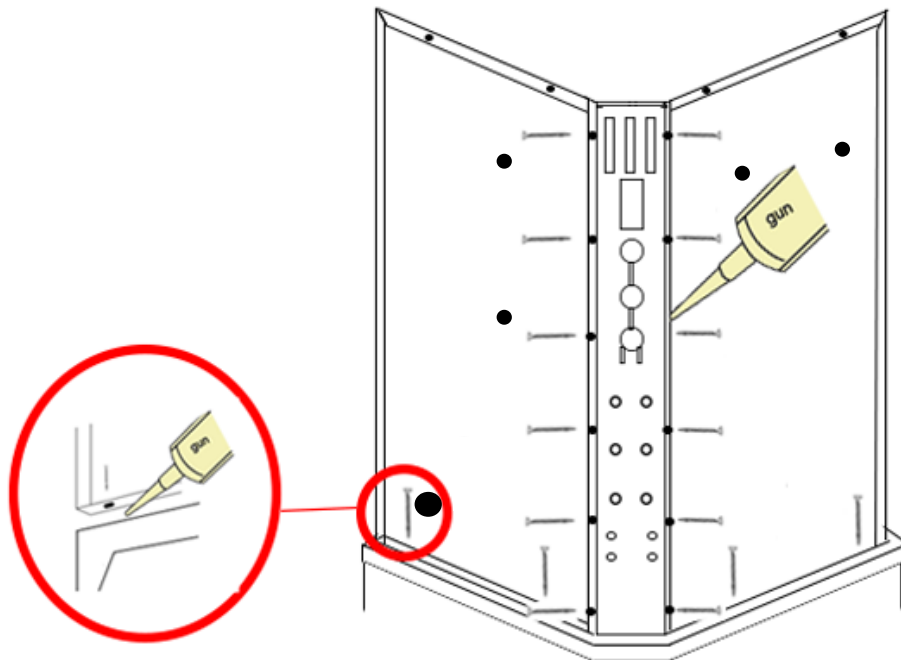


Step 4

Run a bead of silicone along the bottom of the back panels and lock the back glass panel to the completed front frame in the position shown in the image marked "1"

Once you have met the back panel inside the front upright as per the close up image walk the panel around to the position shown in the image marked "2"

Now repeat for the other side



Step 5

Now you have locked the two back panels in position, align the back panels to the central column. Once you are happy with the alignment, apply silicone to the bottom of the centre column and screw all parts together using the **ST20** screws and **SW9** Washers as per the image.

Note: you may have a clear seal which sandwiches between the column and backwall, ensure this is completely flat before screwing the panels together.

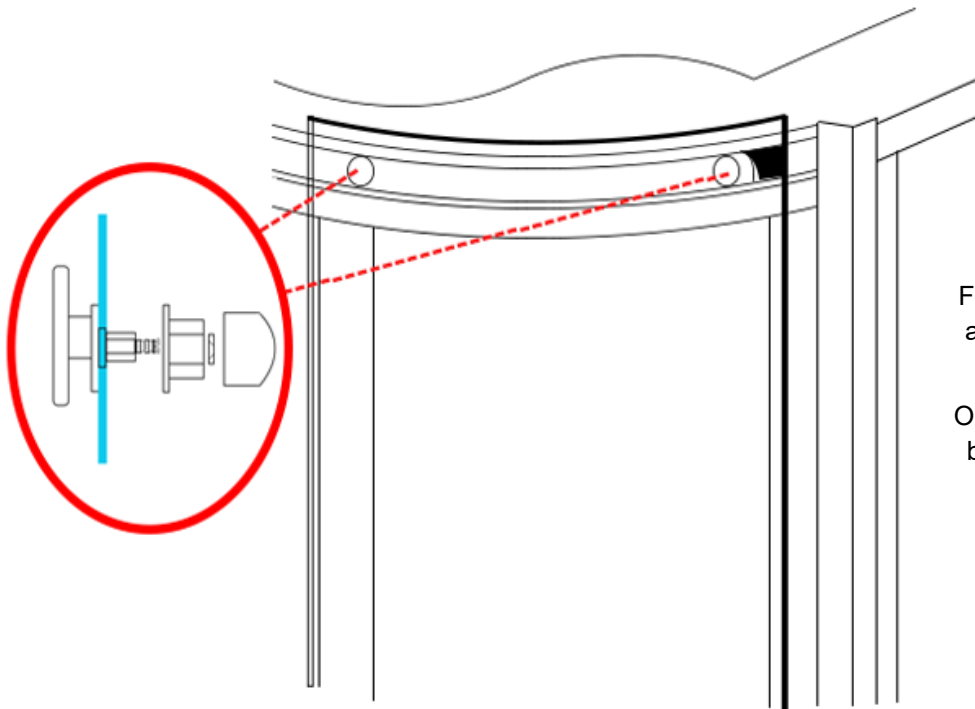
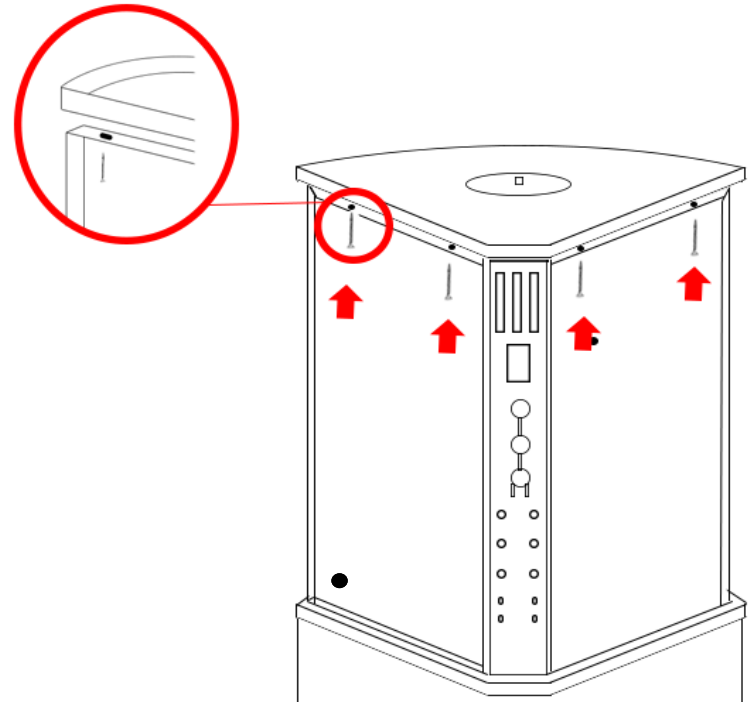
(please note, if your column has a rubber seal at the bottom, take the rubber off and apply silicone inside the rubber and replace)

Step 6

Align the roof with your shower walls and using the **ST25** screws and **SW9** Washers fix the back walls to the roof by screwing upwards from the rear of the shower.

NOTE: You will notice you have 2 holes pre-cut in the front curve of the underside of the roof. You need to pass the wires through for the front column lights here ready to connect later.

if a small gap exists silicone seal later

**Step 7**

Fit the adjustable wheels to the top and bottom of the glass doors and ensure the wheels are at their lowest position and hang on the inner curved rails with the wheels facing the outside of the glass.

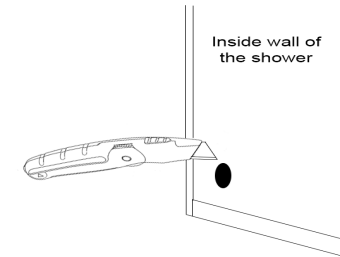
Once all wheels are fitted and on the rails you can adjust the wheels by turning the plastic bolt clockwise in which in turn will pull the wheels towards the track ensuring a secure a tight fit.

Now grease the track to ensure a smooth and long lasting operation
(not supplied)

Accessory Installation

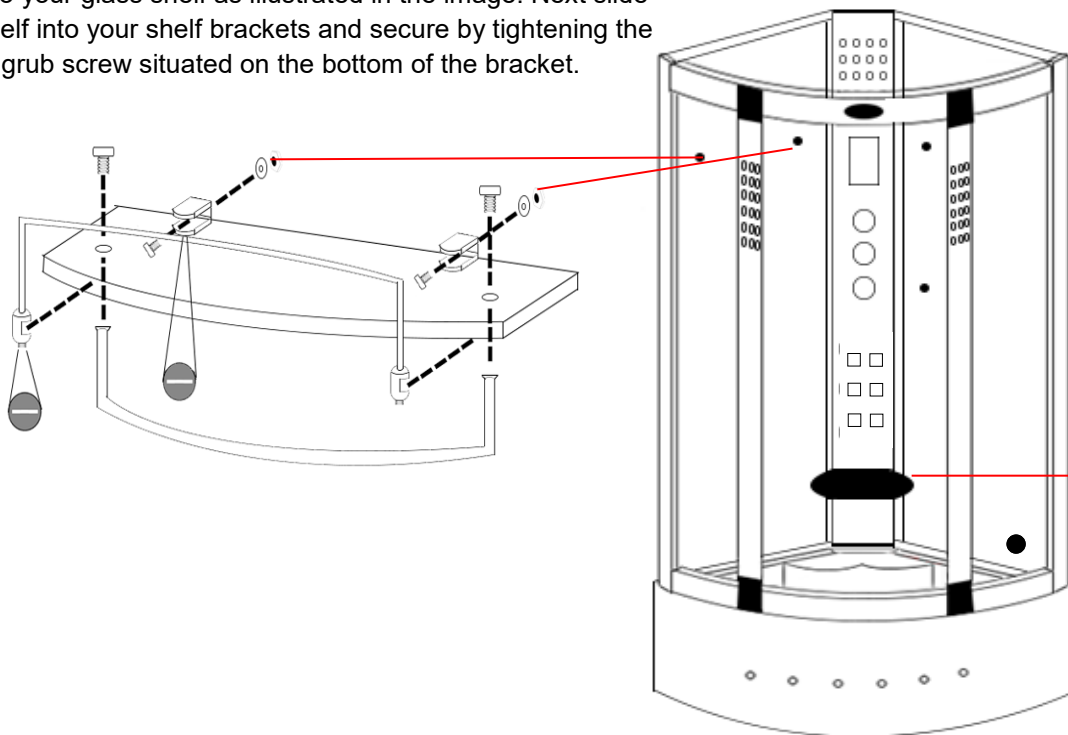
Please Note

Ensure all grey backing film on the rear of the glass panels are pierced through the existing glass holes with a knife to provide an efficient smooth fitting and location of the accessories. We recommend using a screwdriver on the smaller holes.



Shelf

Fix the chrome floating shelf brackets to your glass back panel by using the provided screws. Now attach the chrome tubed bars to your glass shelf as illustrated in the image. Next slide the shelf into your shelf brackets and secure by tightening the grub screw situated on the bottom of the bracket.



Back Backrest

The back rest is secured in to position by pushing it on to the 4 retaining knobs.

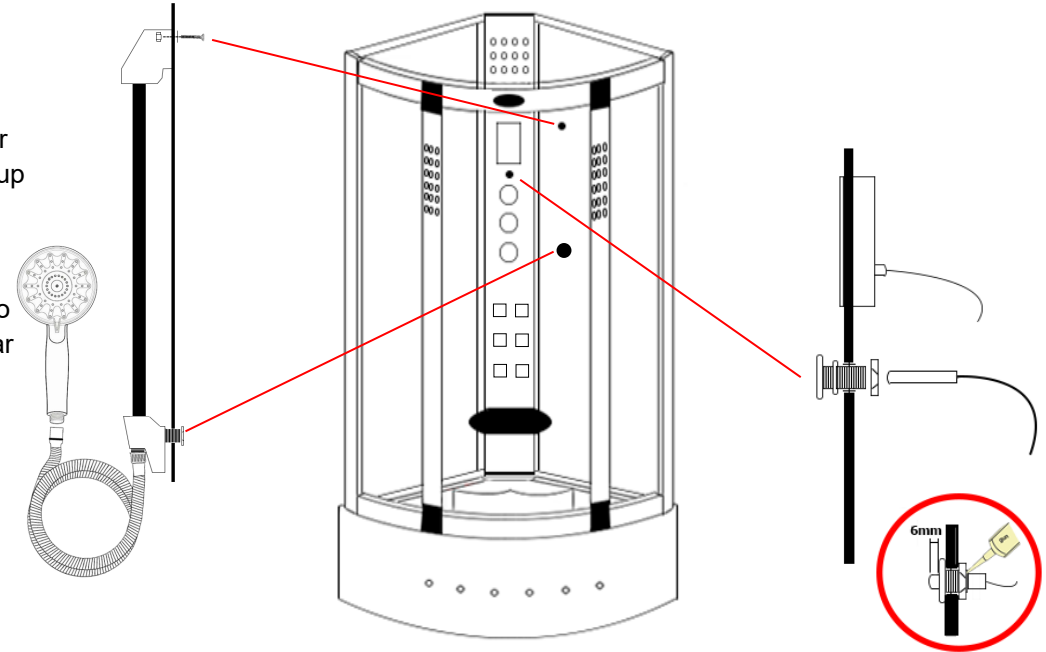
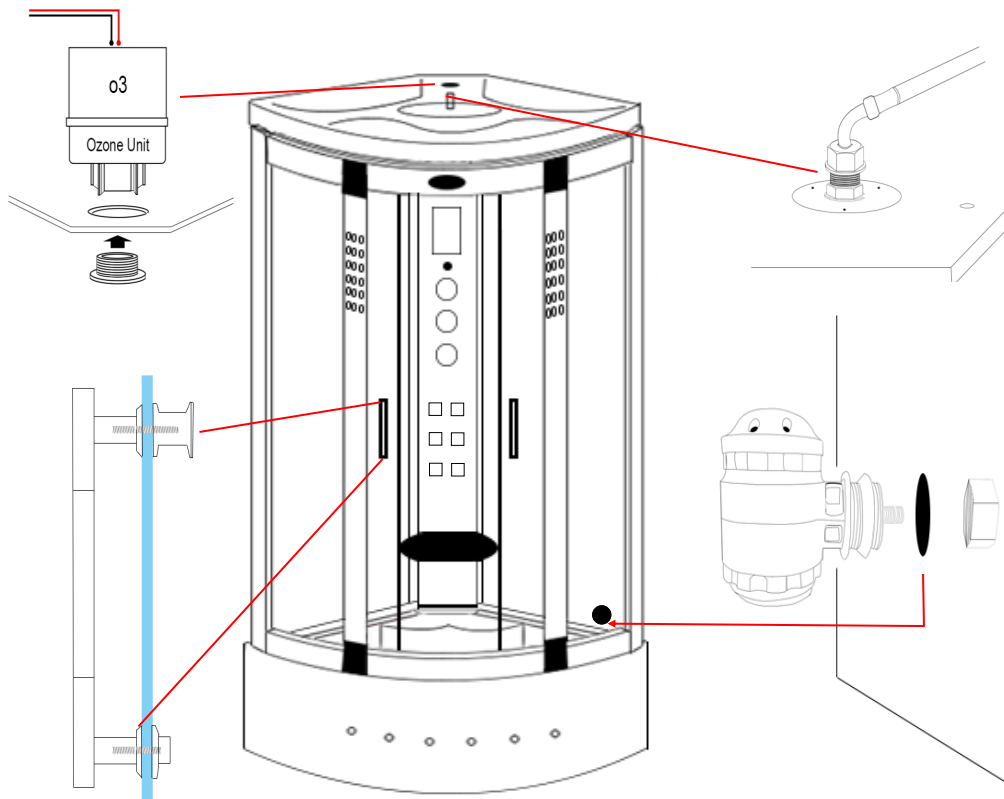
Hand Shower

Attach the chrome riser bar to the glass wall ensuring the water inlet is inserted through the lower large hole and hand tightened from the rear side.

Now tighten the chrome shower holder ensuring that this will take the hand shower itself without falling (please note over tightening will prevent the holder from sliding up and down)

Thermostatic Probe

Locate the probe which is wired in to the main electric box and insert the probe into the hole situated below the control panel roughly 6mm into the cabin. Next run clear silicone around the rear side of the probe to keep it securely in position.



Ozone (o3)

Unscrew the chrome pepper pot end and drop the white box upside down into the rear hole as shown in the image. Now from the inside of the shower re-attach the chrome pepper pot end and tighten.

Monsoon Head

Attach the grey hose from your valve to the inner black tube using PTFE tape (please note this only needs to be hand tight. Over tightening will snap/damage the inner black tube)

Handle

Ensuring that the inner thread is protruding out from the handle far enough, place the handle on the outside of the door and secure by tightening the inner chrome knob to the protruding inner thread.

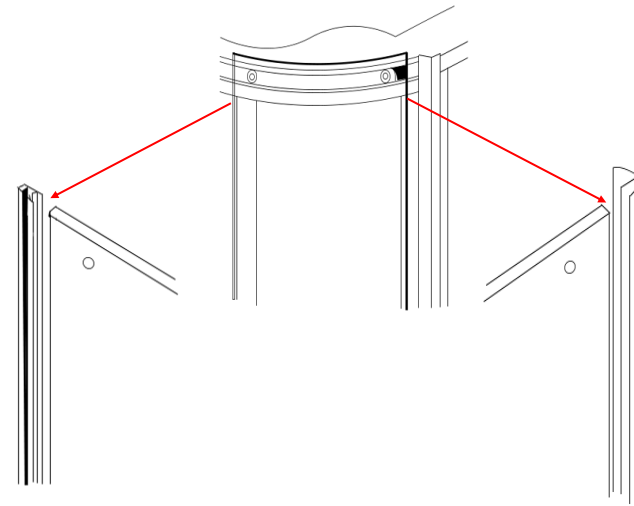
Steam Pod

Insert the pod from the inside of the shower and attach large white nut from the rear.

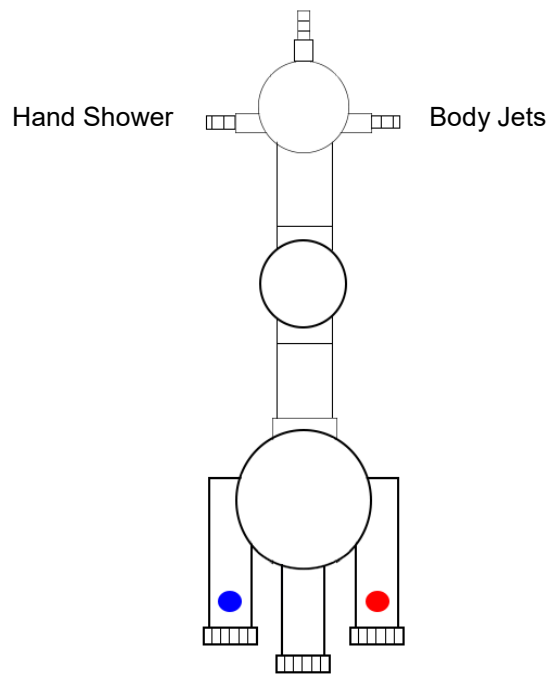
Door Seals

Magnetic Seal: Push the magnetic door seal on the handle side of the glass door ensuring this is tightly fitted.

Rear Door Seal: Place the rear door seal on the opposite side to the magnetic strip ensuring the flap is facing the fixed glass panel



Monsoon Shower



Cold Water Inlet

Hot Water Inlet

Open Outlet For
Steam Generator

Shower Valve

Connect the corresponding hoses to the rear of the valve as shown.

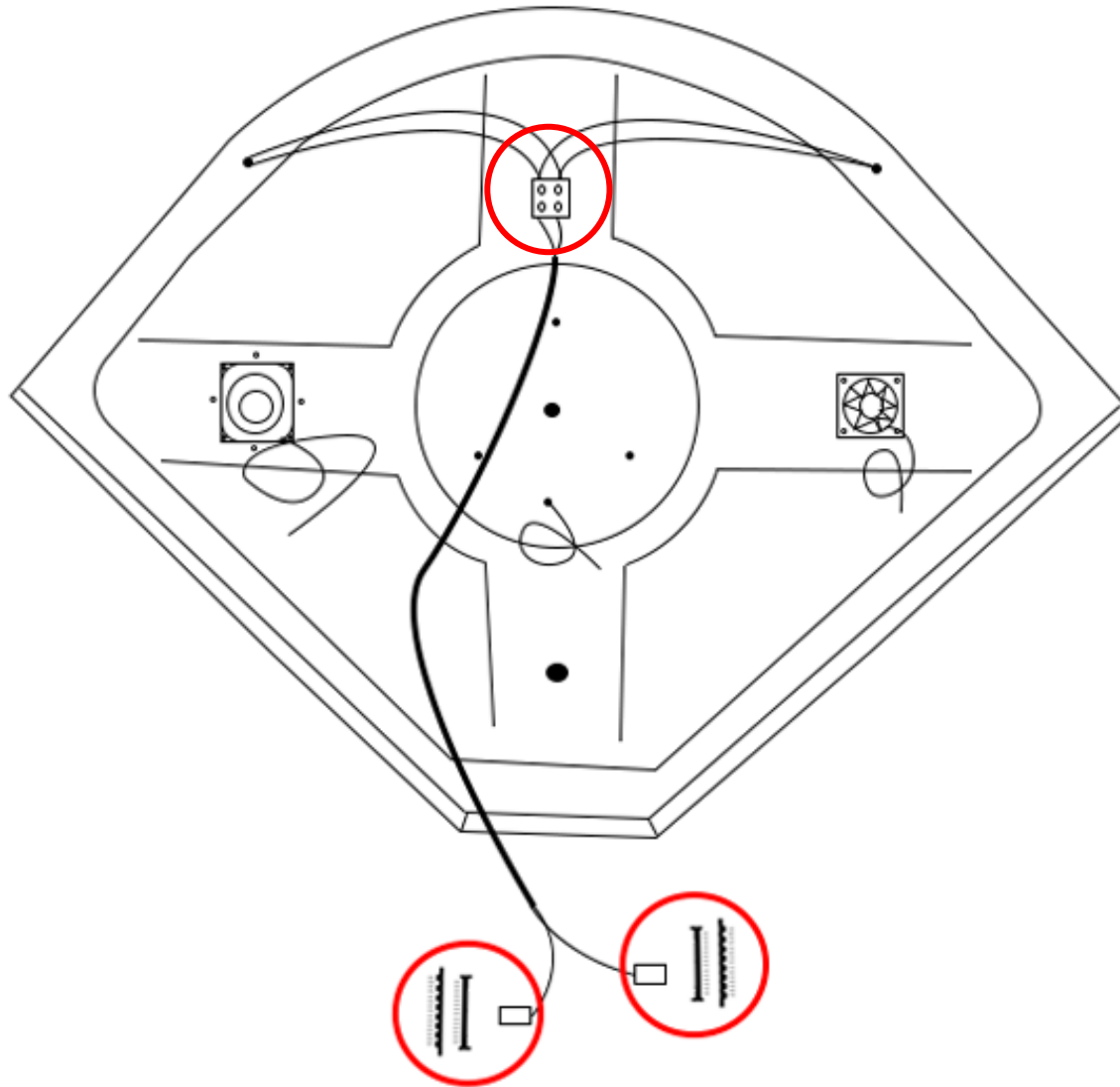
Device output may differ from the image. Please refer to your outer chrome faceplate inside your Insignia shower as a reference point.

IF YOUR DIAL DOES NOT CORRESPOND TO THE APPROPRIATE DEVICE:

Turn on your water to the shower and note which output the water exits from then turn off the water and swap over the relevant hose.

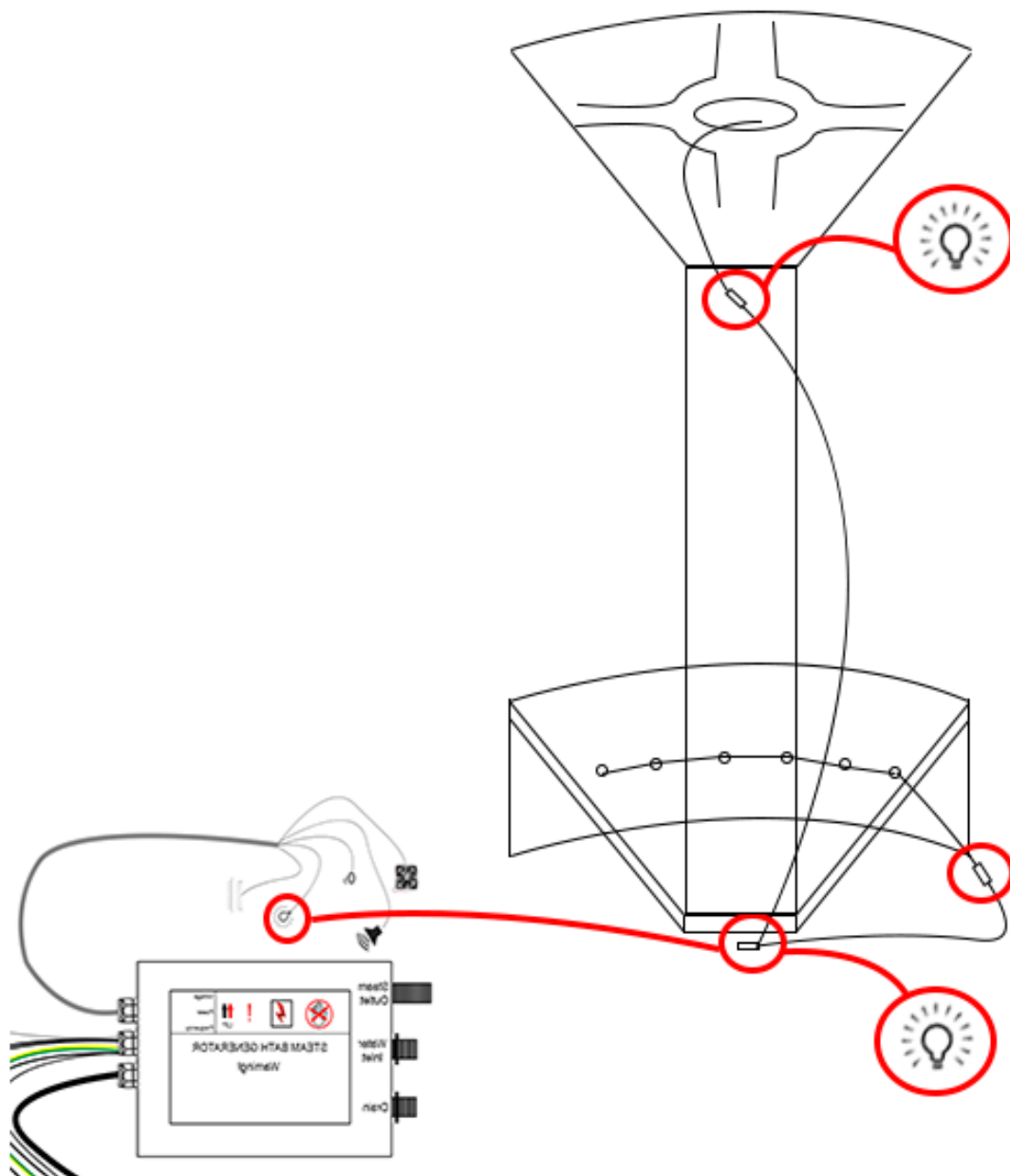
Alternatively remove the outer chrome knob by removing the chrome cap and loosening the grub screw (please ensure not to unscrew fully as this will drop within the chrome knob) this is found on the opposite side to the chrome pillar. Once you have succeeded in loosening this you can now slide your faceplate to correspond to the device.

Connecting the Front Column lights



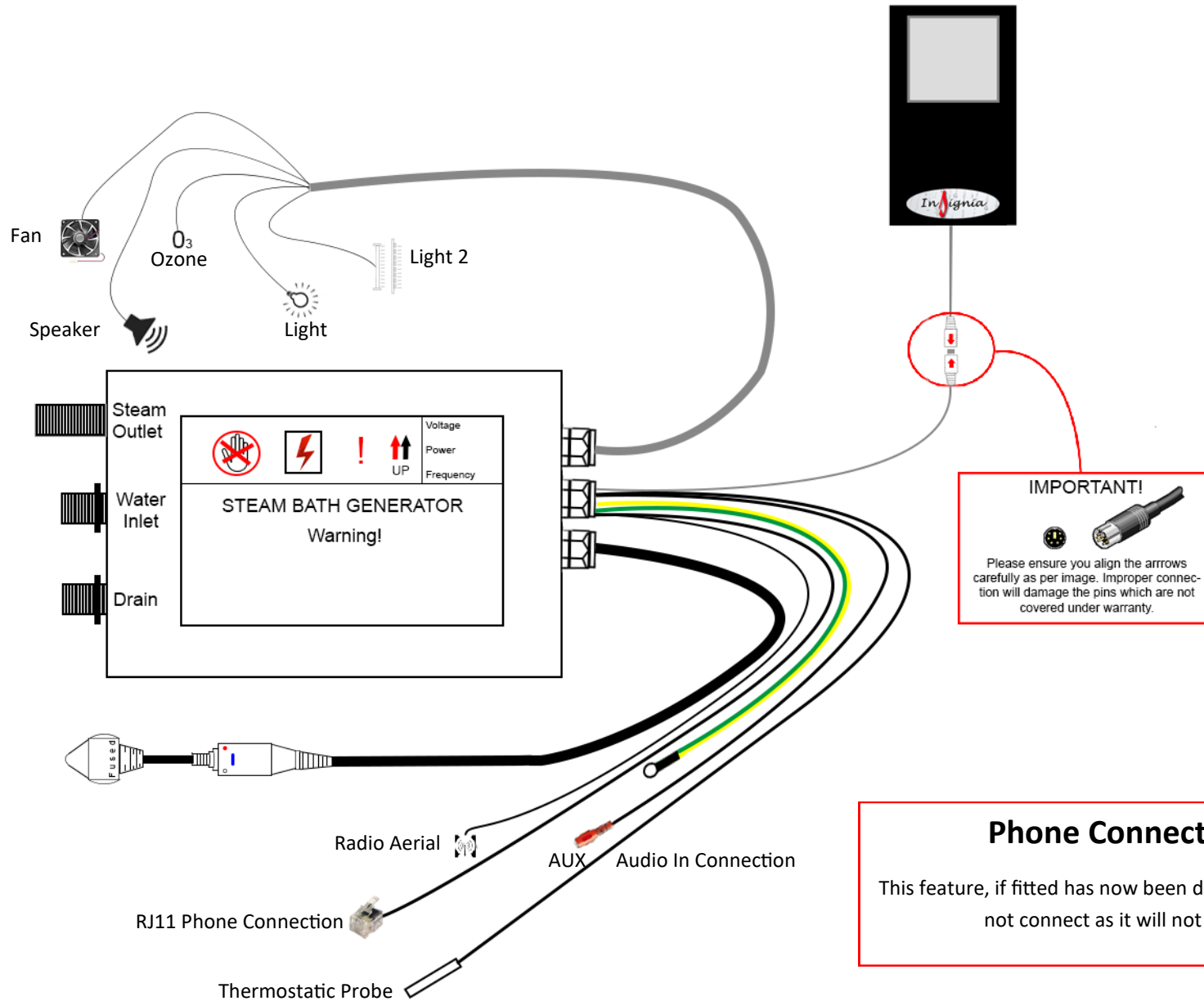
1. Locate the grey extension cable which has a white connection block on one end and a spit male/female lead the other.
2. Locate the wires from the front columns (left/right) and screw in the 4 wires matching each colour. E.g 2 x reds together and 2 x black together and tighten securely in to the connection block.
3. Locate the other end of the wire with the 2 connectors on (1 x male and 1 x female) and plug the female end up to the corresponding symbol found on the wire coming from the electric box
4. With the last remaining connector (1 x male) connect this up to the corresponding symbol which is found on the back lights of the centre column (12 leds above the control panel).
5. Wrap some electrical tape around the connector block on the roof to protect the circuit.

Connecting the Tray lights



1. Locate the black supplied extension lead and connect the end with the single connection to the light on the roof of the shower as shown in the image.
2. Locate the 2 other connections on the at the opposite end and connect one end to the tray lights
3. With the last remaining connector, connect this up to the lead supplied from the electric box representing a light bulb symbol.

Electric Box/Steam Generator Connections



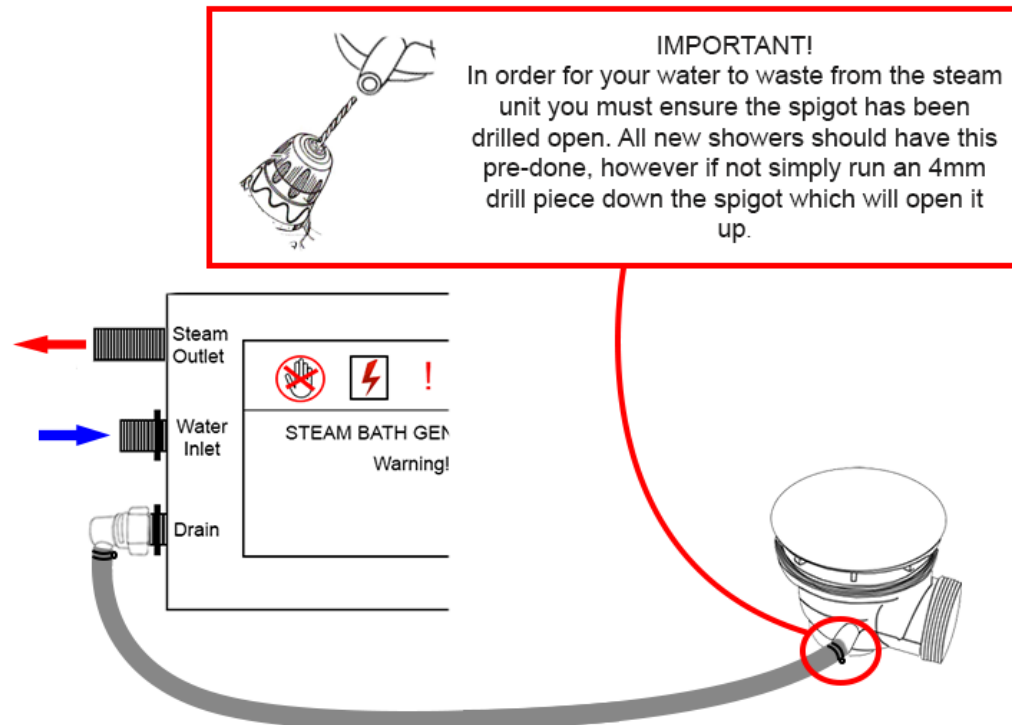
Steam Generator Connections

The steam generator has 3 connections.

Steam Outlet: Connect the white insulated hose to the white steam pod within your shower. Make sure these are fitted in the correct position as they are only attached for transportation reasons only.

Water Inlet: Connect a braided hose from the shower valve's centre feed to this opening.

Drain: Connect the grey rubber hose from the steam generators drain opening to the nozzle on the shower waste (as shown in the below image)



Silicone Seal where shown in red on the inside of the shower

TESTING FOR WATER LEAKS

LEAVING SHOWER 24 HOURS AFTER BUILD ALLOWING SEALENT TO CURE

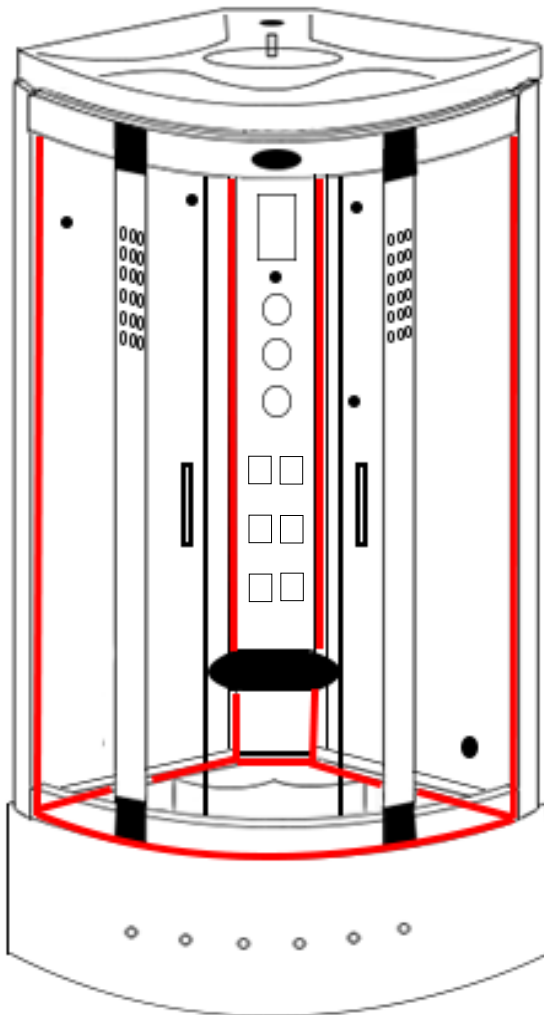
With all connections tight, the waste and hoses checked, jets fully sealed, your shower still around 18 inches from its designated final resting point and the silicone fully cured (hence leaving for 24 hours minimum) Switch on the overhead shower NOT the massage jets, remember these will fire water out at you and are not suitable for checking leaks as they would normally only operate when a person is in front of them. Just use COLD water setting as hot will make cabin misty and condensate thus the inspection becomes very difficult. Now on the OUTSIDE of the shower inspect each joint, factory seal, hose, clip and jet by walking from one side and going around to the back and then to the other side finishing at the front. If you have a small leak (normally caused through insufficient sealer or air bubble on assembly, dry the area thoroughly and reseal on the OUTSIDE. Please remember where you see the water this may not be exactly where the leak is as it could have run around to a low point. Never seal your inner fittings (accessories) inside unless you feel it necessary and make sure it is thin and neat, remember you will see this for the life of the shower!

Again leave to cure and check. If all good now check shower functions i.e. jets for back massage, foot massage, (if you have one) and finally hand shower, check your joints to these functions at the rear again. Never use the shower until **all** checks have been made and the installer is 100% happy in the knowledge no leaks are present.

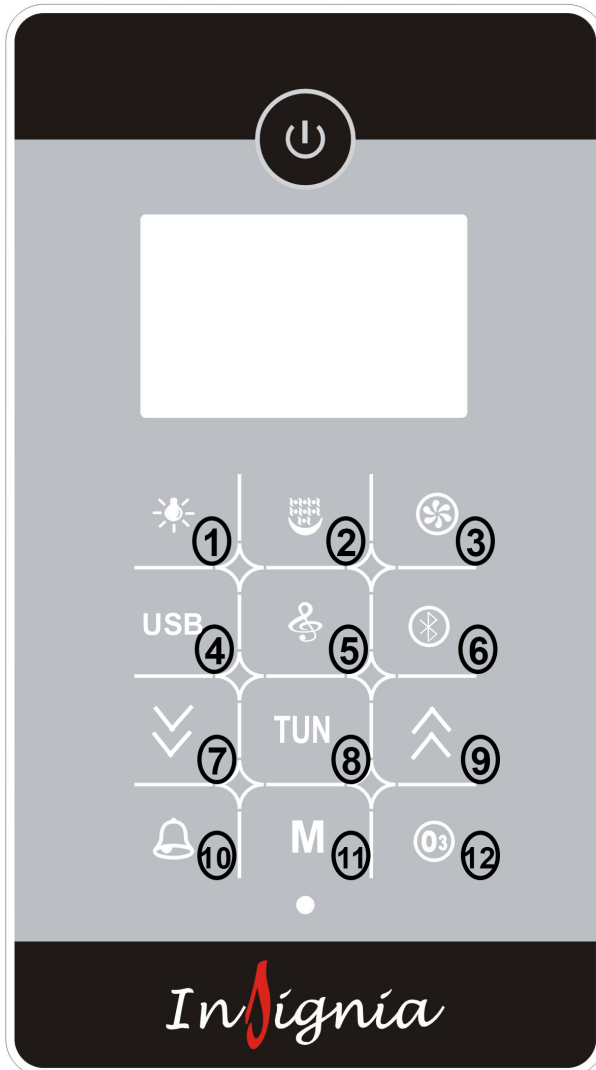
All good?

Now push your shower FROM THE BASE NEVER GLASS OR FRAME into its final resting position. Now you can shower in the knowledge that you have no leaks a job done well and long product life.

Happy showering!



MK117U Control Panel Instructions



*When loading music on to your memory device the play order will be ordered based on the date the files were created.

Button 1 (Light Bulb)

Press x1 backlights

Press x2 Operates the tray lights

Press 3x For All Lights

Press 4x To Switch Off Lights

Button 2 (Steam)

On/Off

Button 3 (Fan)

On/Off

Button 4 (USB)*

Connect an external memory device and use the button 7&9 for forward and backward operation

Button 5 (Radio)

On

Button 6 (Bluetooth)

On/Off (When activated a beep will sound and the power button will flash purple to notify you that the Bluetooth is searching for a device. Power button will be fixed purple when paired with a device. To pair another device to your control panel, reset the control panel by powering off and powering back on and please ensure you have switch off the Bluetooth to any current paired devices as only one connection can occur at any one time..

Note: The device you are looking to pair is either "INSIGNIA" or SPR-OUT"

Button 7 (Down Arrow)

Channel select down/manual search

Button 8 (TUN)

Switch Between manual & auto radio searching

Button 9 (Up Arrow)

Channel select up/manual search up

Button 10 (Alarm)

Activate Alarm

Button 11 (M)

Set Steam Time & Temperature/When Radio is active this button will activate the arrows to become volume buttons

Button 12 (o3)

Press to activate once you finish using the shower

Power Button (Lock)

The control panel will automatically lock when not in use for a short time, hold this button down for 3 seconds until a beep is heard and this will unlock and re-activate the control panel for use

Need Help?

If so then simply download Insignia's free comprehensive help and troubleshooting brochure now!

Simply visit: www.insigniarange.co.uk/help.aspx



**INSIGNIA PRODUCTS
HELP I HAVE PROBLEMS AND
NEED ANSWERS NOW!**



PLEASE KEEP IN SAFE PLACE

www.insigniarange.co.uk

Parts List

Internal Items

| Part Code | Part Description |
|---|---|
| SP074 | Monsoon Shower head |
| SP056 | Ozone Module |
| SP003 SP247 | LED Ring Light Light Diffuser |
| SP226 | Massage jets |
| SP236 SP112 (warranty) SP120 (warranty) | Complete riser bar Shower holder (for riser bar) Water Inlet (bottom part of riser bar) |
| SP179 | Shower waste |
| SP097 | Chrome rectangular door handles |
| SP240 | Glass Shelf |
| SP013 | Skirt light |
| SP196 | Thermo sensor holder |
| SP072 | Door stoppers |
| SP207 | Door Wheels |
| SP006 | Steam Pod |
| SP105 | Chrome Flexible Hose |
| SP060 | Electrical extension cable |
| SP214 | Column lights |
| SP038 | Speaker |
| SP007 | Fan |
| SP228 | Fan & speaker cover |

| | |
|-------|--|
| SP204 | MK117U Control panel |
| SP190 | Blister pack |
| SP227 | Standard shower head |
| Sp166 | Approximately 4 meters of "U Style" seals |
| SP057 | 90 Degree Chrome Water Inlet (for foot massager) |

External Items

| Part Code | Part Description |
|-----------|-----------------------------------|
| SP300 | Waste hose |
| SP301 | White insulated pipe |
| SP221 | Drain Hose |
| SP233 | MK117 Steam Genera- |
| SP306 | Magnetic door seals |
| SP310 | Rear door seals |
| SP173 | 4 Port—3 Feed Thermo-static valve |

Framework

| Part Code | Part Description |
|-----------|------------------------|
| GT4000-1 | Tub |
| GT4000-2 | Top Rail |
| GT4000-3 | Bottom Rail |
| GT4000-4 | Left Upright |
| GT4000-5 | Right Upright |
| GT4000-6 | Blank Column |
| GT4000-10 | Front left post (with |
| GT4000-11 | Front right post (with |
| GT4000-12 | Blank Roof |

Glass

| Part Code | Part Description |
|-----------|-------------------------------|
| GT4000-7 | Front Fixed Glass (universal) |
| GT4000-8 | Glass door (universal) |
| GT4000-15 | Left Black Backwall |
| GT4000-16 | Left White Backwall |
| GT4000-17 | Right Black Backwall |
| GT4000-18 | Right White Backwall |

All images are registered with
ImageTraker

Insignia™ is a registered trademark of Maclean International Ltd

All images are subject to copyright. Images may not be used in any way shape or form with out written permission from Maclean International Ltd. Images are NOT permitted to be saved, printed or uploaded. Violation of copyright laws are punishable by law.