



www.insigniarange.co.uk

30 Day Technical Support: 01908 226545

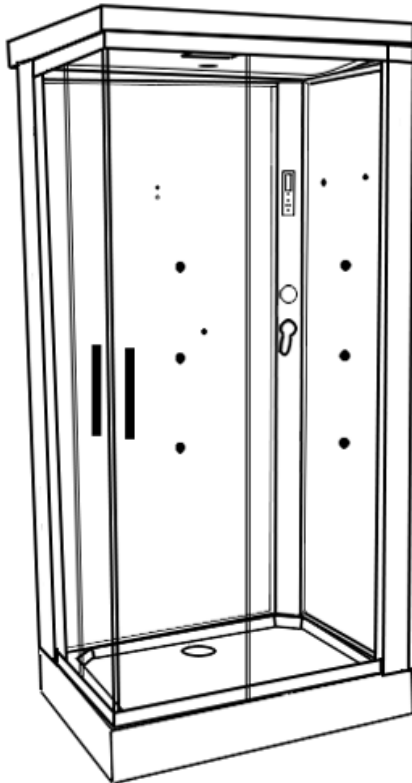
(NOTE: This service is only available to customers from the day of delivery, please have your supplier's details and your postcode to hand before calling)

Replacements Parts: inside of your warranty contact:
www.insigniarange.co.uk/customerService.aspx

Spares/Replacements Parts: outside of your warranty
contact **0844 800 3069**

INSTALLATION MANUAL

ES006.1



ATTENTION INSTALLERS:

These instructions must be left with the customer

CHECK ALL CONTENTS BEFORE BUILD COMMENCES. NO RETURNS CAN BE MADE ONCE THE BUILD HAS STARTED AS IT IS DEEMED ACCEPTANCE OF PRODUCT!

WARRANTY REG NO: _____

to claim your full 2 year warranty, register your shower within 90 days at: www.insigniarange.co.uk/warrantyreg.aspx

Contents

Introduction	3
Electrical Requirements	5
What's In The Boxes?	7
Screw Pack Contents	8
Plumbing Requirements	9
Schematics	10
Starting The Installation	11
Adding the Accessories	19
Sealing and Water Testing	25
Control Panel	26
Help Book Information	27



Thank you for your recent purchase of an Insignia shower. Please read this booklet with great care to ensure you get the best out of your build and have a shower that will last for many years to come!

Like everything, in order to obtain a first class product that will serve you well for many years, the effort and correctness put into the assembly will reflect in the quality of your finish.

OUR BADGE RATING IN TERMS OF DIFFICULTY OF ASSEMBLY IS BASED ON CLIENT FEEDBACK

1 Badge = Very easy

2 Badges = Easy

3 Badges = Moderate

4 Badges = Harder than average

5 Badges = Professional skills required

This shower is rated 2 Badges



ASSEMBLY AND PLUMBING

THIS PRODUCT BUILD IS RATED SUITABLE FOR DIY PURPOSES PROVIDING THE CUSTOMER IS OF ABOVE AVERAGE SKILL AND FEELS CONFIDENT IN THEIR ABILITY. ONLY YOU THE CUSTOMER WILL KNOW THIS SO BEFORE ANY ATTEMPT IS MADE TO ASSEMBLE, READ THROUGH THE FOLLOWING PAGES IN DETAIL THEN DECIDE. IF YOU HAVE ANY DOUBT USE THE SERVICES OF A PROFESSIONAL. IN PICKING SUCH, ALLOW THEM TO DECIDE IF THEY ARE CAPABLE OF BUILD BY FIRST SHOWING THESE INSTRUCTIONS TO THEM. ALWAYS GET THREE QUOTES.

REMEMBER THE BEST IS NOT ALWAYS THE CHEAPEST!

REMEMBER PLUMBERS PLUMB! 90% OF THIS JOB IS NOT PLUMBING!

DUE TO THE NATURE OF THIS PRODUCT WE HIGHLY ADVISE THE PURCHASE AND FITTING OF A WATER SOFTENER

(PLEASE NOTE LIMESCALE BUILD UP MAY CAUSE DAMAGE TO YOUR SHOWER AND WILL NOT BE COVERED UNDER WARRANTY)

ELECTRICAL CONNECTION TO HOUSE MAINS

WHEN YOUR ITEM IS ASSEMBLED ALWAYS USE THE SERVICES OF A FULLY QUALIFIED ELECTRICIAN COMPANY TO COMPLETE THE CONNECTION FROM SHOWER TO THE HOUSE SUPPLY. LAWS DEMAND IN MANY CASES YOU DO THIS AND YOUR WARRANTY IS VOID IN REGARDS TO THE ELECTRICAL ITEMS IF THIS IS NOT UNDERTAKEN.

YOURS AND OTHERS SAFETY IS PARAMOUNT. NEVER ATTEMPT THIS YOURSELF!

REMEMBER:

These showers are designed to be free standing and movable from their location should you have the need to replace anything. ALWAYS USE Flexible braided water inlet pipes (not supplied) at least a metre long (not central heating plastic type!)

Always use a flexible waste pipe from your house supply to the shower .

NEVER FIX with rigid pipes, NEVER FIX the unit to the wall.

DURING BUILD, LIKE ALL SHOWERS CORRECT SEALING IS IMPERATIVE.

If you are using Insignia's RubberGum, please ensure the product does not come in contact with your silicone as this will cause the RubberGum to fail and will not adhere as intended.

ATTENTION

ALWAYS FIT EASY TO GET TO ISOLATION TAPS ON BOTH THE HOT AND COLD WATER SUPPLY (NOT SUPPLIED). JUST LIKE A DISHWASHER OR WASHING MACHINE, THIS PRODUCT MUST BE ISOLATED WHEN NOT IN USE.

FLEXIBLE SUPPLY HOSES (NOT SUPPLIED) COUPLE HERE AS ORIGIN OF SUPPLY

TOTAL ELECTRICAL REQUIREMENTS

Voltage Rating	220 -240AC
Frequency Rating	50HZ
Power Rating	25W

Your electrical contractor should understand **ALL** legal requirements of connection before undertaking any work or installation.

UNDER NO CIRCUMSTANCES UNDERTAKE THIS YOURSELF!!!

Note for electrician. This product comes with 3 amp plug. We leave it this way for you to connect this your own way due to continued additions to current regulations.

1) Connect within current laws and IP directives.

2) (Preferred) Wire into isolated fused feed connecting directly to the house consumer/service box.

Always use protection against electrical surge. Your shower should be treated the same as a home computer. A surge protector should eradicate the possibility of either the transformer or control panel being burnt out.

Tool Requirements

None Supplied



Scissors



Stanley Blade



Silicone Gun



Spirit Level



Tape Measure



Philips Screwdriver



Electric Drill

Adhesive Requirements



Not Supplied



Not Supplied



Not Supplied

Hardware Requirements



A Hydro-Massage Shower requires 2 x 1 Metre Braided Hose

Not Supplied

Whilst the next steps show you how to assemble your shower we want to make sure you have a correct build to ensure you get a trouble free shower. Therefore our advice is to follow the instructions and perform a dry run to ensure you are confident with the build and you understand fully how the unit is assembled. When we use the word "DRY RUN" this means you do not silicone anything, just simply construct the shower, align, drill and screw everything together. Once you are happy with the build take the unit apart and carry out the final fix.

What's in the Boxes?

Tray Box

1x Tray

1x Roof

Accessories

Top and Bottom Rails

Glass Room

2x Glass doors

2x fixed glass

Backwalls

1x Left Panel Backwall

1x Right Panel Backwall

Column

Column

6x Seals

Uprights

In addition to above you will have all the required internal accessories to complete the shower.

VERY IMPORTANT

Have you got everything? If not please contact the Insignia Support Line on 01908 226545. Remember **NEVER** book your tradesman until everything has arrived, been checked and is present. No replacement/missing parts can be obtained free of charge during or after the build. Any claims can only be within the timescale permitted (48 hours after delivery) and always **BEFORE** build.

Insignia Screw Pack

Product Code	Description	Quantity
SP097	Door Handles	2
SP276	Twin Door Wheels	4
SP276A	Twin Door Wheels Push-Button	4
SW9	Washers	34
ST10	10mm Screws	12
ST12	12mm Screws	4
ST16	16mm Screws	12
ST18	18mm Screws	8
ST20	20mm Nut and Bolt	14
ST25	25mm Screws	8
ST8	8mm Screws	10
PRC20	Retaining Clips	4
AMI01	Jubilee Clips	14
SP072	Door Stops	8
DB6	Drill Piece (2mm)	1

Note: In some cases you may have more screws than needed, this is done so you have spares!

Pressure Requirements from your house supply

We recommend a bar pressure between 2.5 and 3.4 BAR. If you have a combi boiler system no problem should be experienced. If you have a gravity feed older type installation (hot water tank type usually less than 1 bar) you will almost certainly need a pump. We cannot advise on which type of pump is used, location or design because all house plumbing layouts vary. This is a job for your installer/plumber. The end delivery however must fall within the scope above.

Important Note Do not exceed 3.4 BAR pressure under any circumstances. Warranty is void if so as damage will occur. If you have a combi supply, please use a pressure reducing valve if required to lower the BAR pressure to the shower.

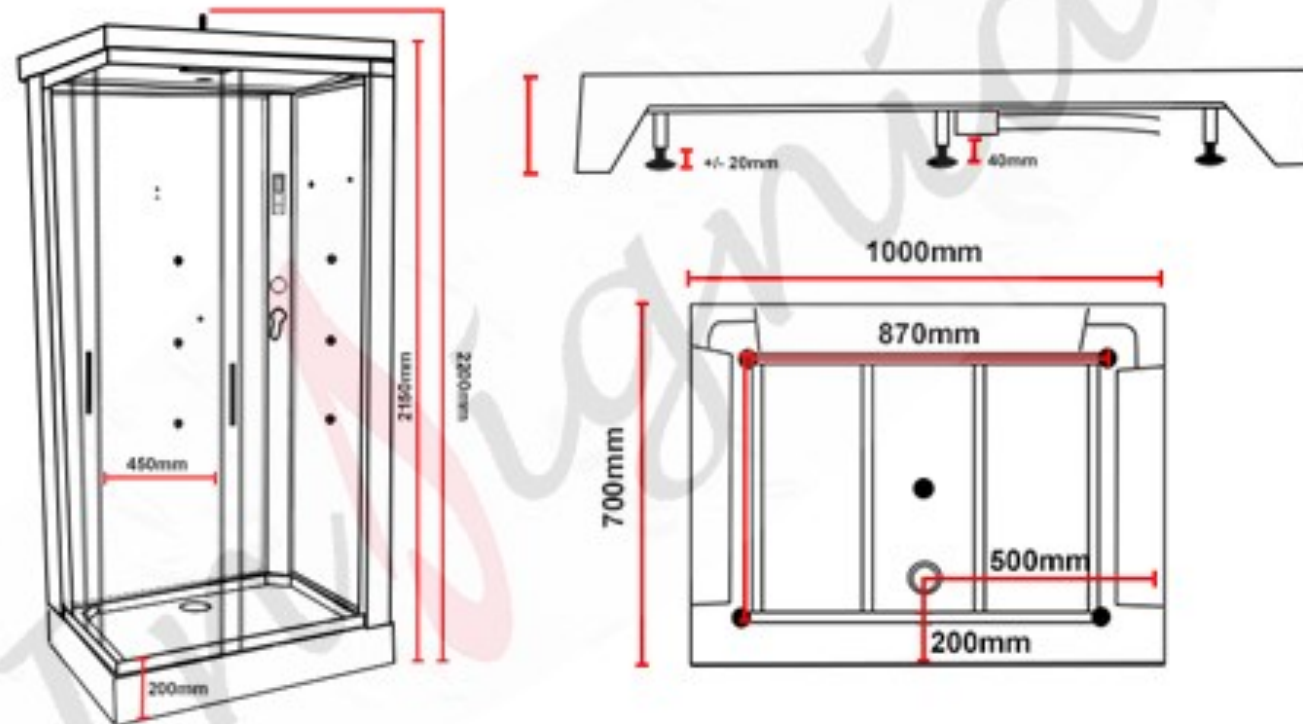
Please Remember that this product is free standing and is designed to be pulled away from the wall.

The waste hose must be of a flexible type (1m flexible waste supplied).

The water supply pipes need to be at least 1 metre in length and must be that of a flexible braided type (not supplied).

DO NOT OVERTIGHTEN THE BRAIDED HOSES AS IT CAN CAUSE THE CONNECTION TO POP AFTER A FEW WEEKS OF USE

ES006



Please ensure you have at least 400mm each side of your shower for assembly and servicing



Internal Height for this shower is 1970mm 6'6"

Whilst we endeavour to ensure our measurements are correct they should be used as a guide only. Insignia accept no responsibility as size, design and specification may change without prior notice.

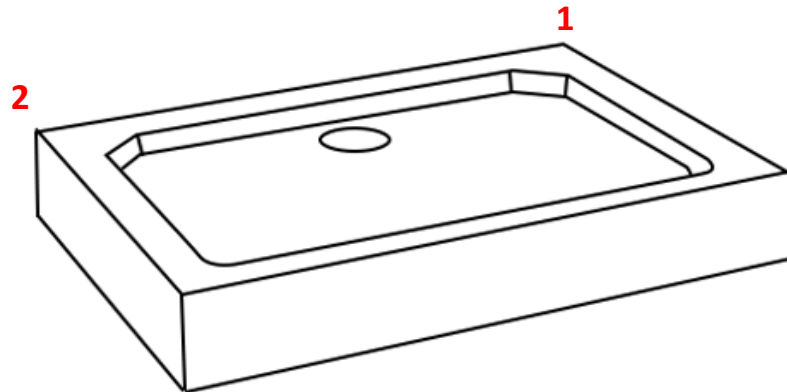
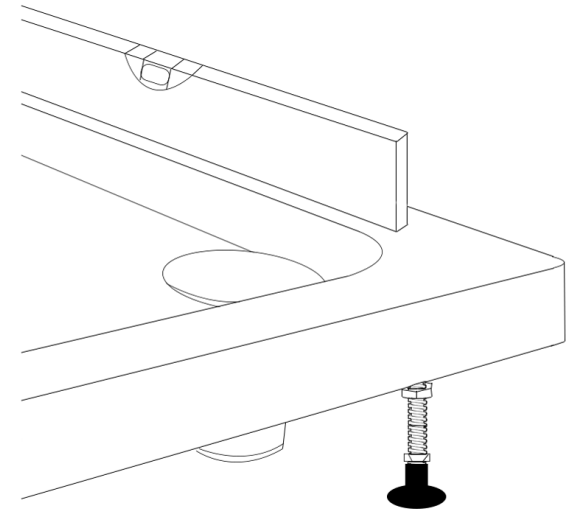
www.insigniarange.co.uk

TO START

Make sure you have a clear space, remember when finished and in place you need access to check your build and able to pull the shower out for servicing or should you have the need to replace anything!

Take the shower tub and remove all the protective wrapping and fit the waste. In the side of the waste supplied in the optional fitting kit you will notice a spigot not seen on an ordinary waste. In most cases this is blanked yet should you have a steam version you need to gently drill this out as this item is for the steam generator drainage and will be connected in the instructions later.

Now please level the tray by firstly placing the tray in its final location and then using a spirit level, adjust the tray feet accordingly. Once you are happy with the levelling of the tray, you can pull it out to begin the main construction.

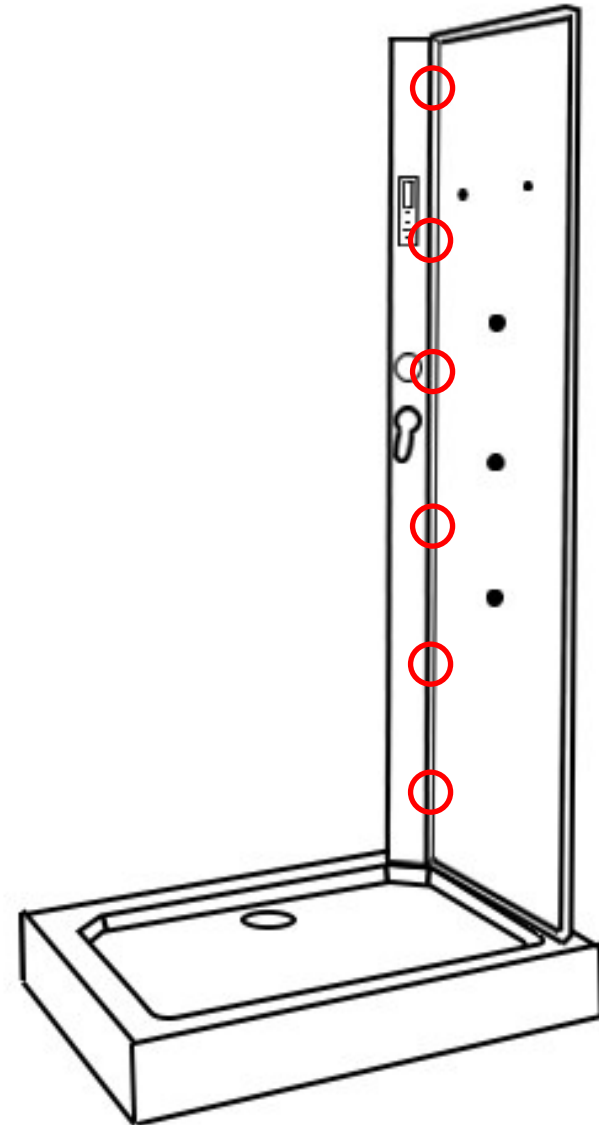


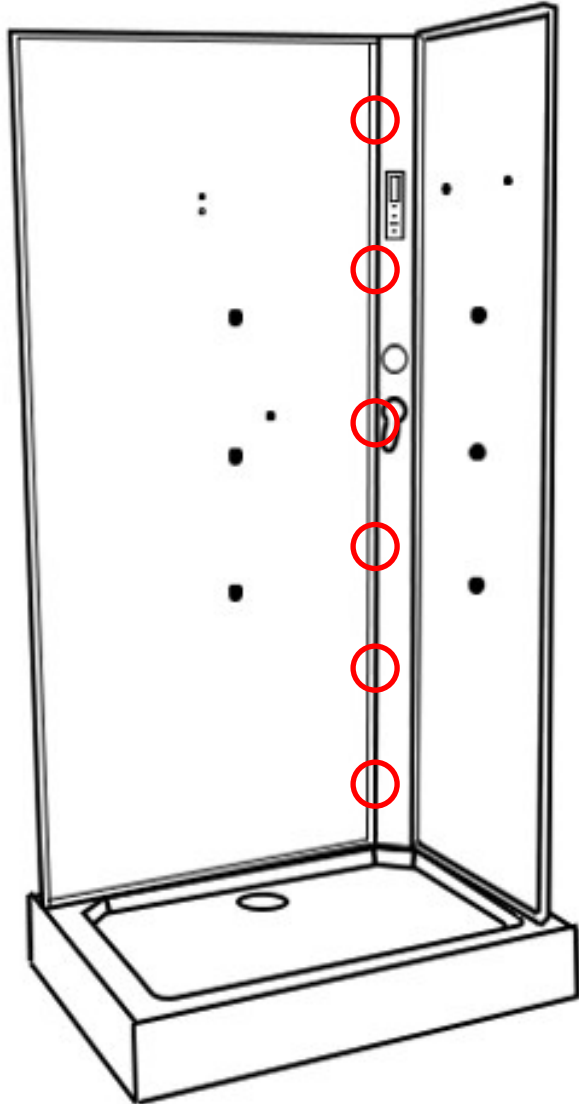
Step 1

Place your column on the back corner of the tray. This shower is universal and **can** be built both ways. For the purposes of these instructions, we will be building the shower with the column in position **1**. If you opt for position **2**, please reverse each step of the assembly.

Step 2

Now align the column and side panel. Once you line them up, you will see holes on the rear of the column and panel, which are connected by the **ST20 nut and bolt** which are provided in the screw pack.



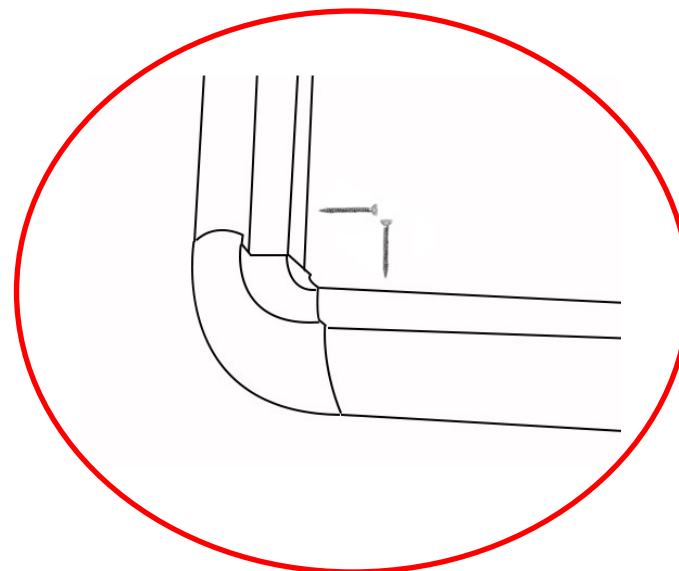
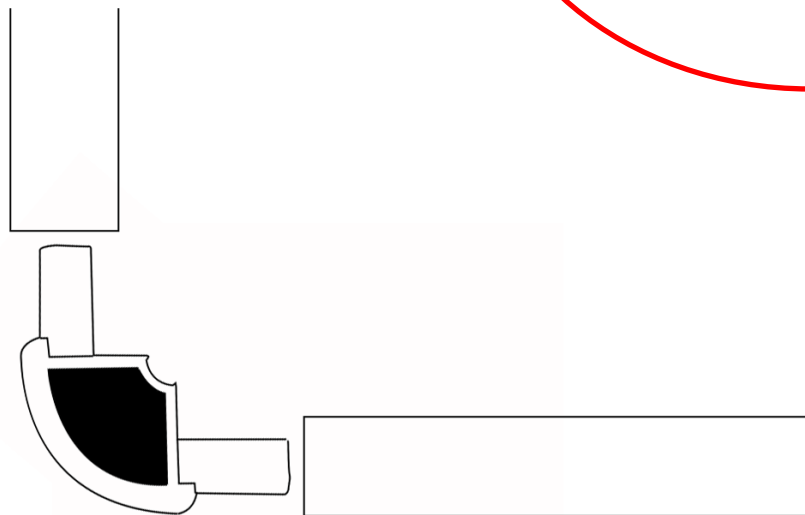
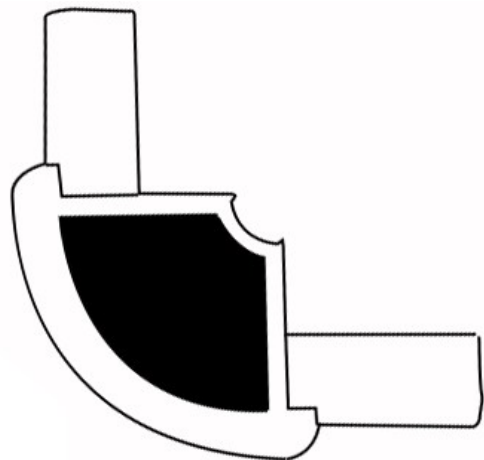


Step 3

Position the back panel, and once again, connect using the **ST20 nut and bolts** in the screw pack. Do **NOT** screw down to the base yet, as once the frame is connected you may need to slightly adjust the position.

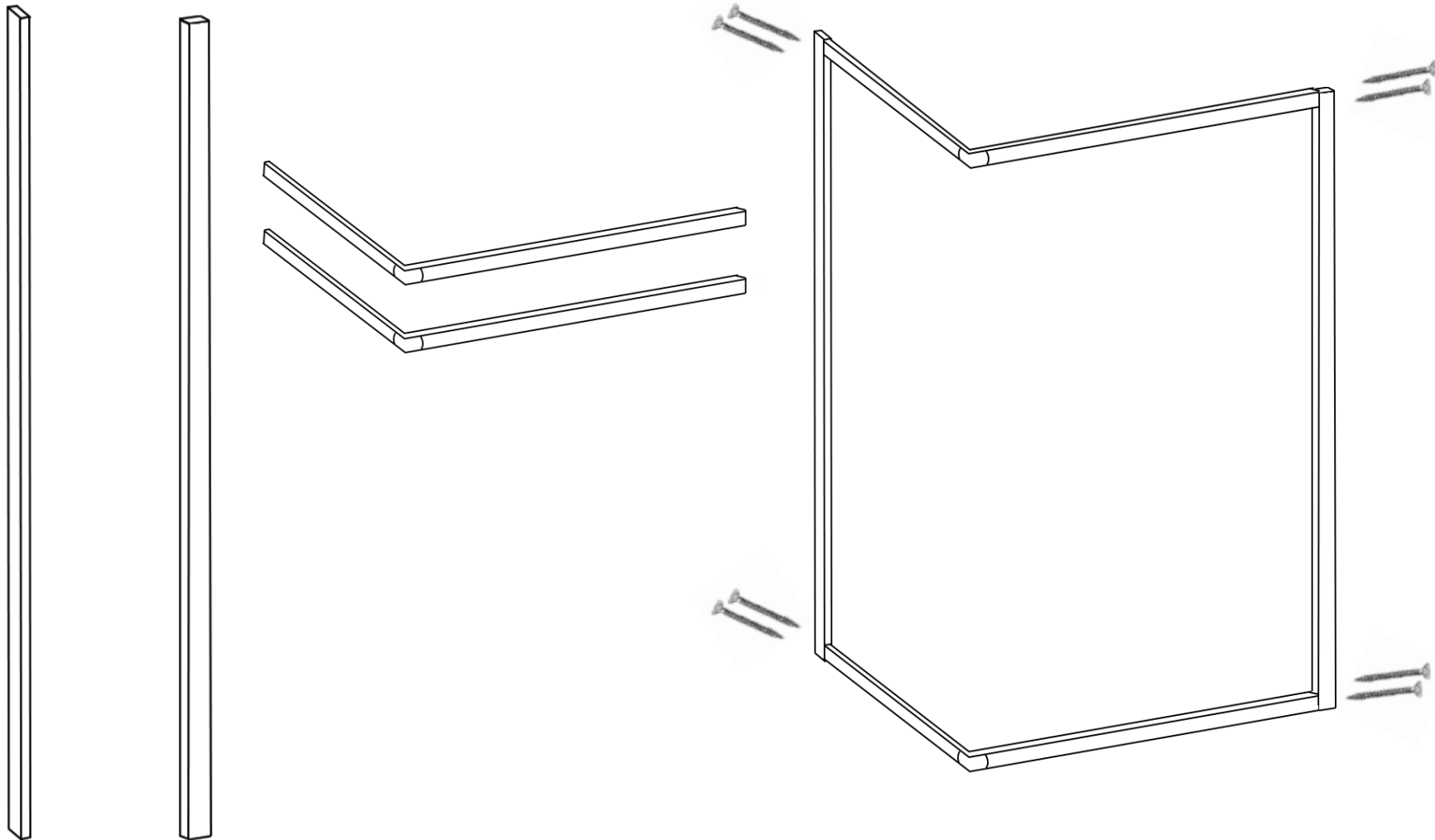
Step 4

Step 4 can be done either way, whichever suits you best. You can connect the two top and bottom rails to each other using the connector, as shown below. Alternatively you can opt to do this after you connect the uprights to the rails, which is shown on the next page. Use the **ST8** screws provided.



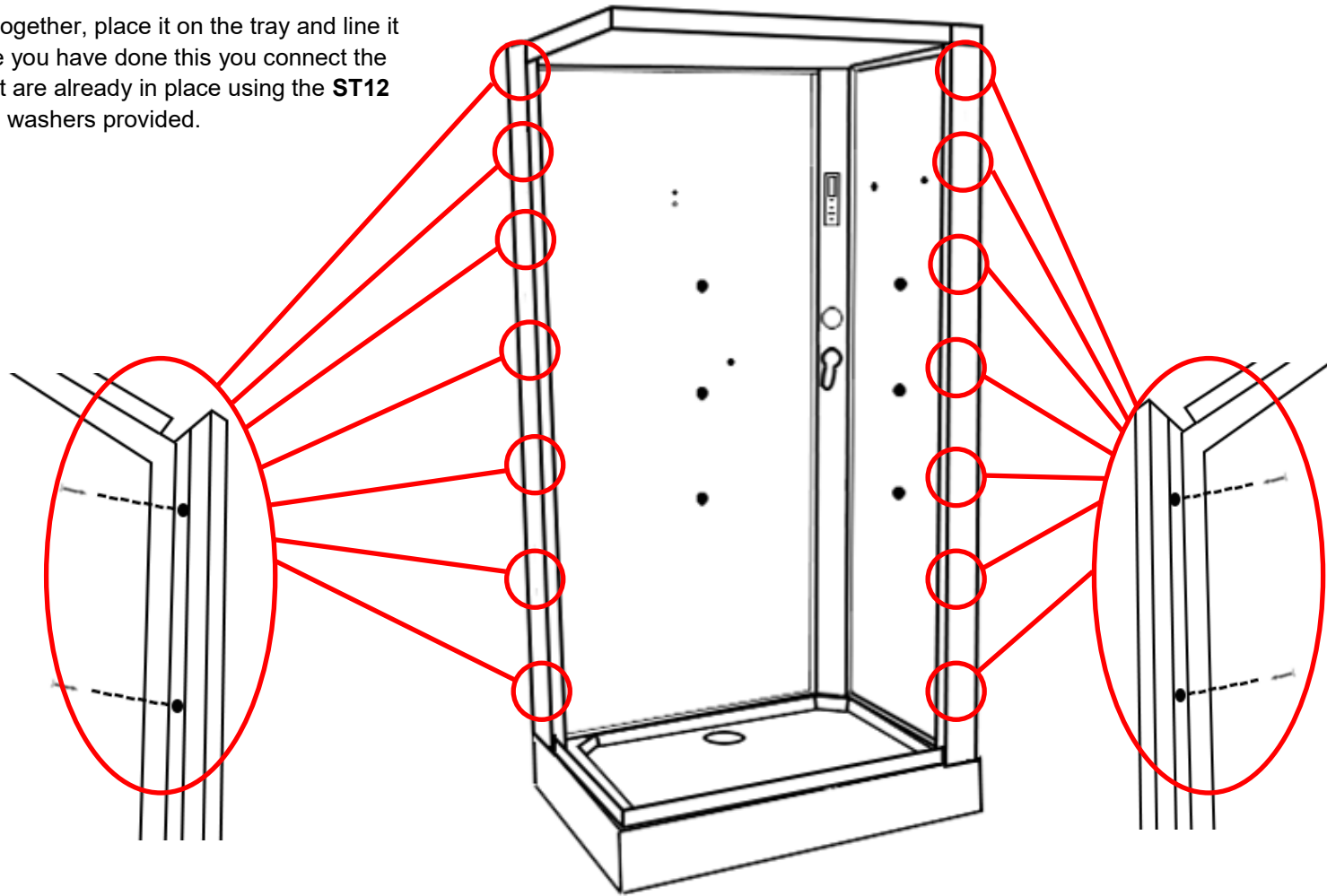
Step 4 (continued)

Now you have connected the V shaped horizontal frames together, you can now connect the two V shaped pieces of frame to the two side upright support columns using the 8 x **ST25** screws provided.



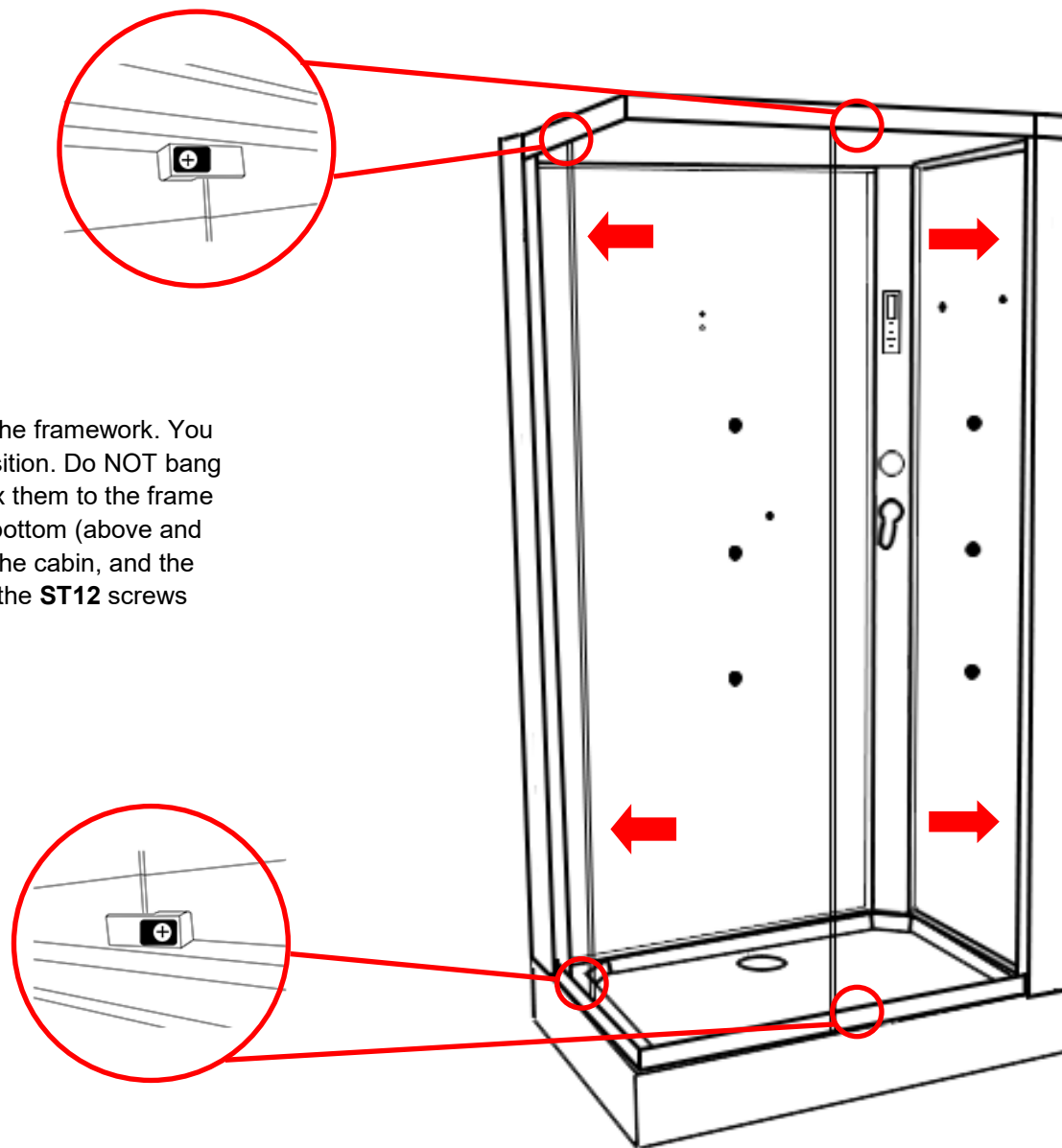
Step 5

Once the frame is connected together, place it on the tray and line it up to your back panels. Once you have done this you connect the side supports to the walls that are already in place using the **ST12** screws and washers provided.



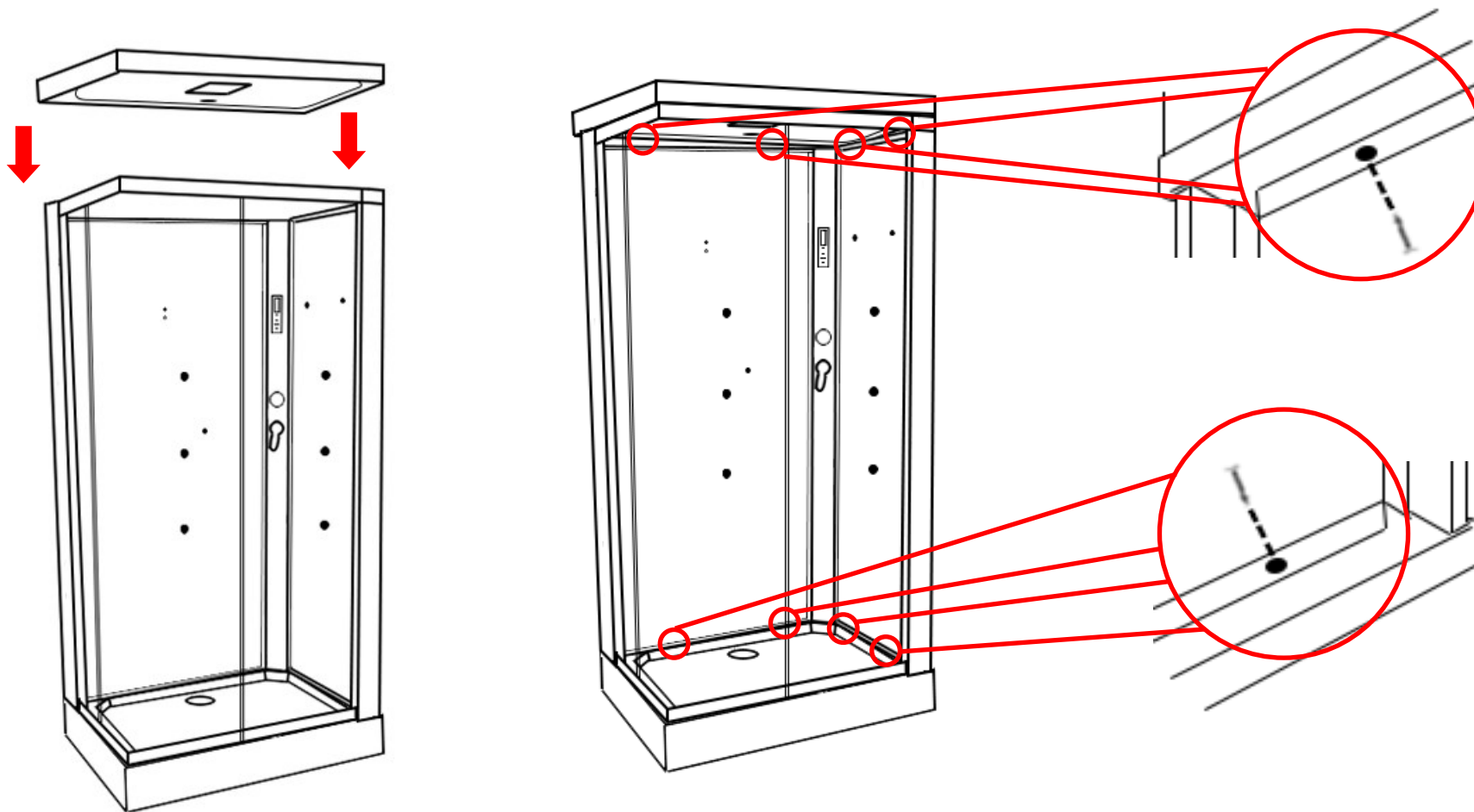
Step 6

Inserting the fixed glass panels. Place the glass in the groove of the framework. You will need to use mild force and pressure until it firmly slots into position. Do NOT bang it as it can cause the glass to break. Do this for both sides then fix them to the frame using the securing clips 4 x **PRC20** provided at the top and the bottom (above and below). Please note, the larger piece of fixed is for the front of the cabin, and the smaller piece for the side. Screw the **PRC20** clips in place with the **ST12** screws provided.



Step 7

Attaching the roof. In this step you will need to enter the shower, and then place the roof in to position. Make sure it is aligned with your back walls and frame. Once you have done this you can secure the roof to the two back panels. As well as this you can now also connect the back panels to the tray. In order to do this, use the 4mm drill bit provided to create the holes and then use the **ST16** provided to connect.

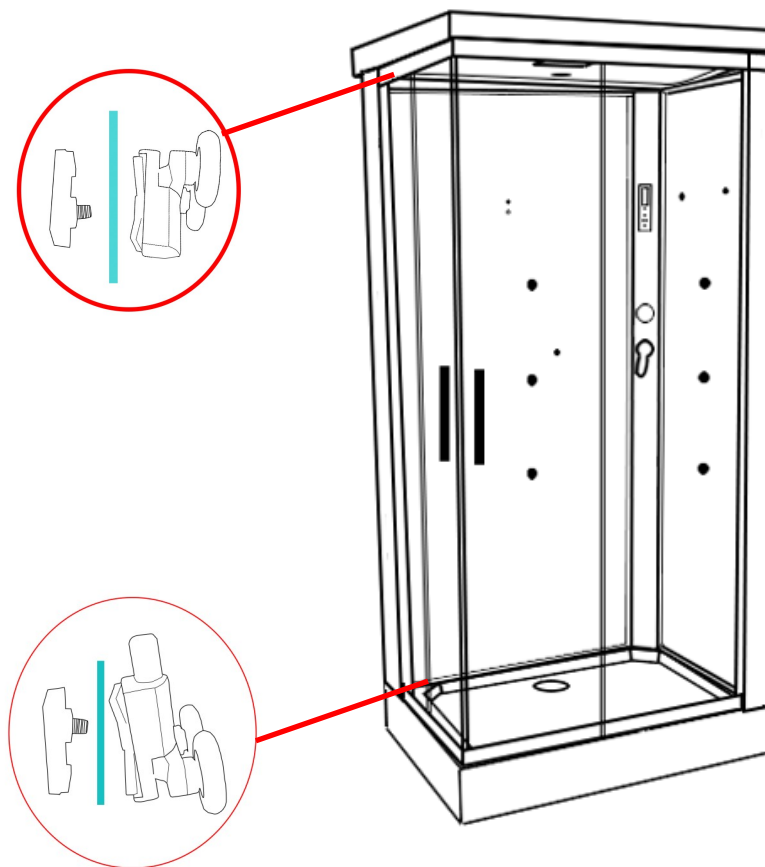
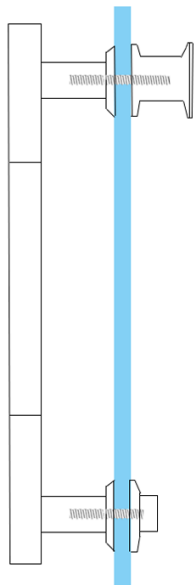


Step 8

Connecting the doors. Connect the door wheels to the doors through the holes provided. Make sure the wheels are facing outwards to slot into the grooves of the inside top and bottom rails. Do this for both sides.

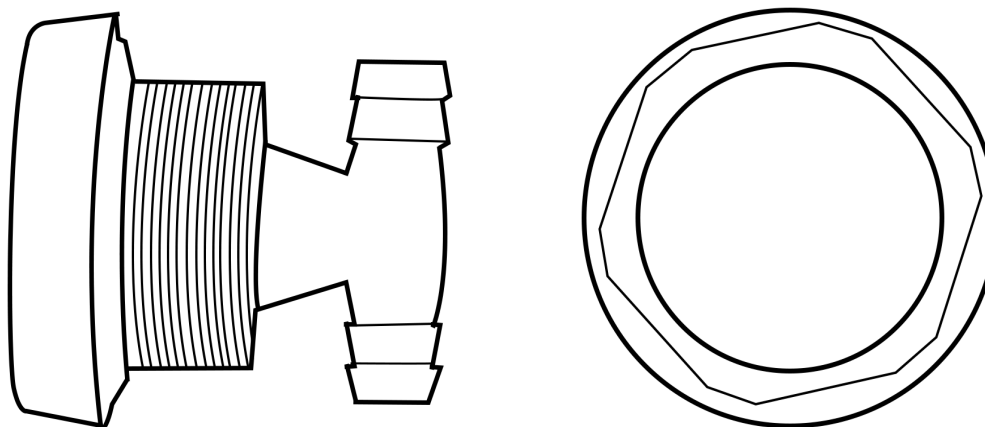
Step 9

Connecting the door handles. Simply unscrew the back of the handle, and feed it through the glass and screw it back together.



Jet Installation

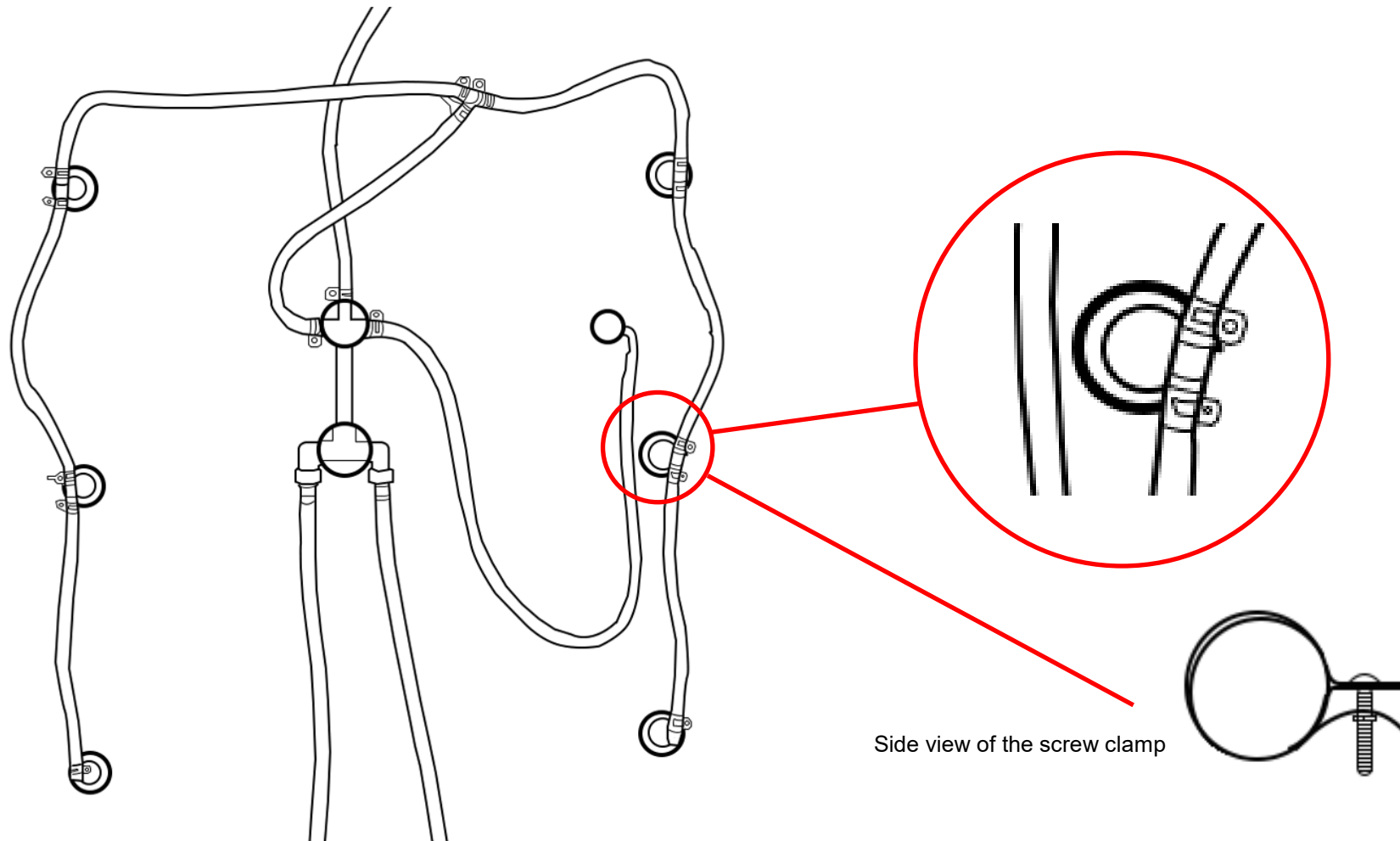
With this shower model the hydro-massage jets all need to be installed manually. The jets simply feed through the holes in the back wall and secure in place by a large nut. The flat side on the nut is designed to fit flush on the back panel. You will have two closed end jets and four open end ones. The closed end jets will need to be at the bottom on each side of the set of three. Incorrect installation will lead to some of the jets not being operational.



Flexi-Hose Installation

Connecting the flexi-hoses is next, and these attach to the jets, and secure in place using the pipe clips provided. Ensure they are tightened fully or there is a chance of water leaking through when in use. Place each hose over the end of the jet and push on until it is in position. Once this has been done, you tighten the clips to secure the hoses in position. Below is a diagram of how your shower should look following the installation of the components.

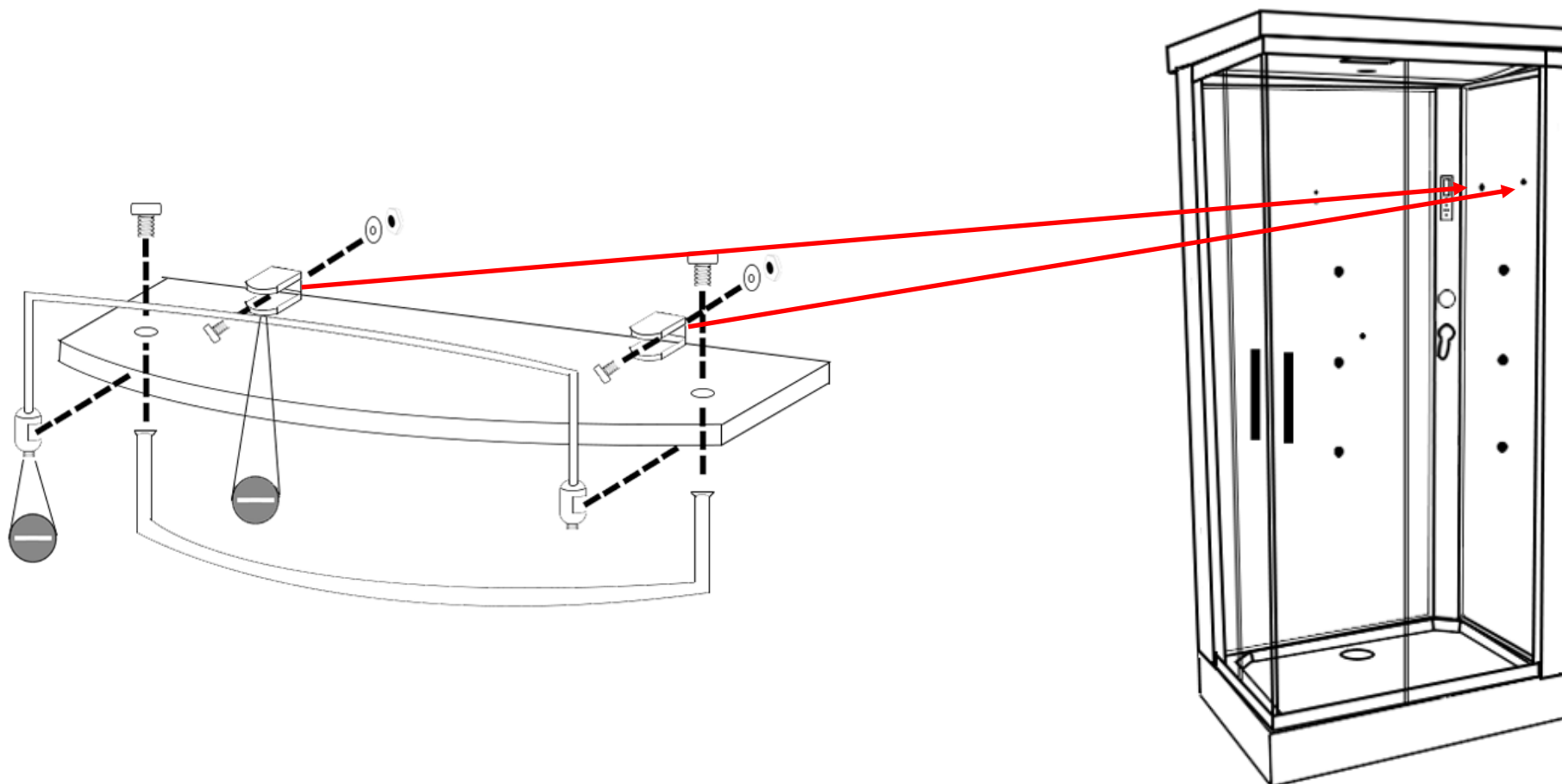
Please also make a note of the images on the font selector disk so you can connect the appropriate connections. If the images do not match our diagram, then alter your connections accordingly.



Glass Shelf

The glass shelf could be seen as the most difficult accessory to put together, however it is pretty straight forward.

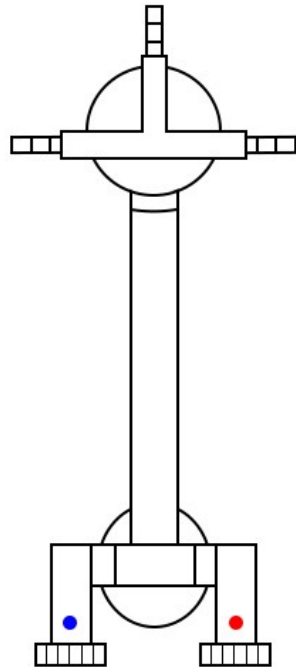
Fix the chrome floating shelf brackets to your glass back panel by using the provided screws. Now attach the chrome tubed bars to your glass shelf as illustrated in the below image. Next slide the shelf into your shelf brackets and secure by tightening the grub screw situated on the bottom of the bracket.



Shower Valve

Monsoon Shower

Body Jets



Hand Shower

Cold Water Inlet

Hot Water Inlet

Connect the hoses at the rear of the valve to the corresponding fittings. Note we recommend that you use PTFE thread tape around each of the fittings to ensure a water tight fitting.

Device output may differ from the image. Please refer to your outer chrome faceplate inside your Insignia shower as a reference point.

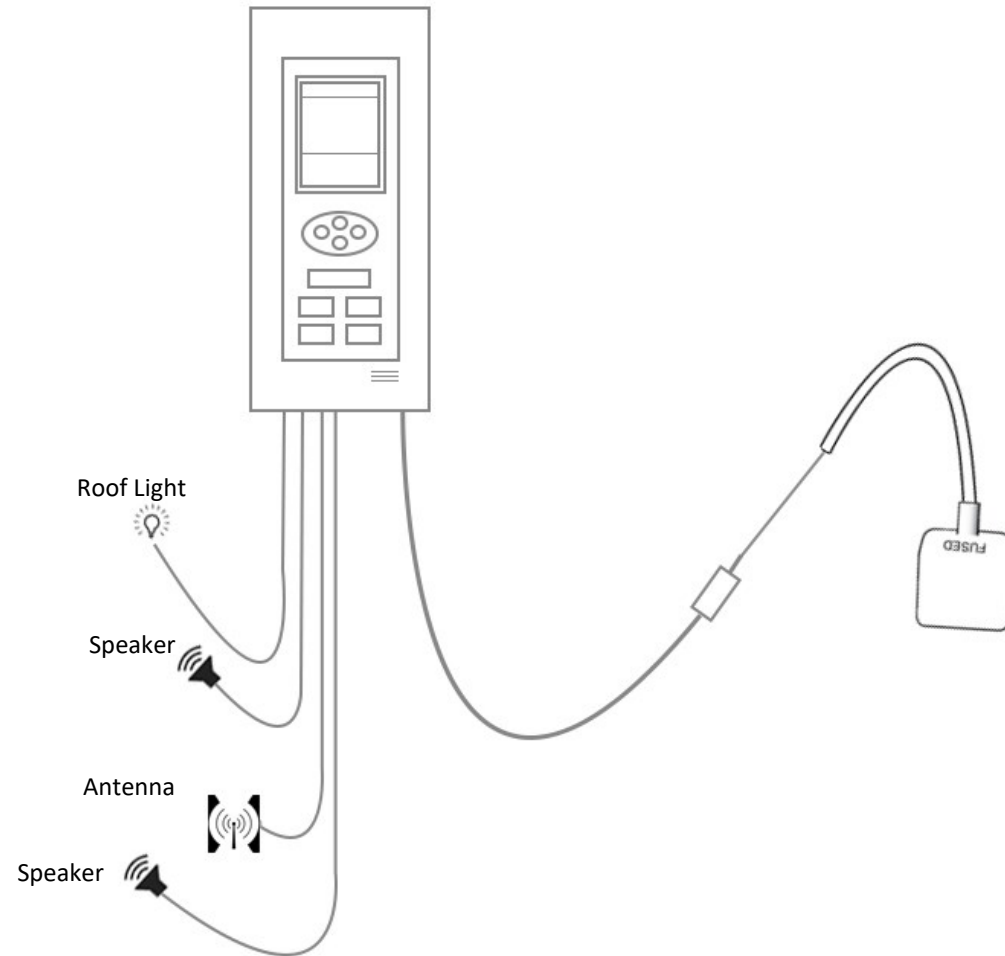
IF YOUR DIAL DOES NOT CORRESPOND TO THE APPROPRIATE DEVICE:

Turn on your water to the shower and note which output the water exits from then turn off the water and swap over the relevant hose.

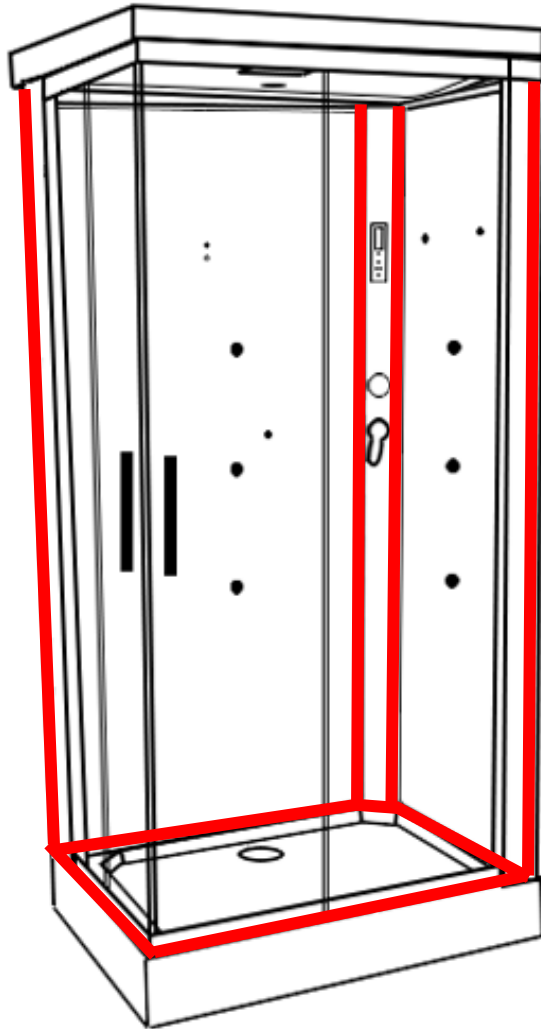
Alternatively remove the outer chrome knob by removing the chrome cap and loosening the grub screw (please ensure not to unscrew fully as this will drop within the chrome knob) this is found on the opposite side to the chrome pillar. Once you have succeeded in loosening this you can now slide your faceplate to correspond to the device.

Electric Box Connections

Connect the cables below to the corresponding devices on the shower



Silicone Seal where shown in red on the inside of the shower



TESTING FOR WATER LEAKS

LEAVE THE SHOWER 24 HOURS AFTER BUILD TO ALLOW SEALANT TO CURE AND ENSURE THE SHOWER IS AWAY FROM ITS FINAL POSITION TO ALLOW REAR VIEWING

Ensure all connections are tight and sealed including the waste, body jets and steam outlet (model dependent) on your shower. **We also advise to run a thin bead of silicone around the control panel.**

Switch on the overhead shower NOT the massage jets, remember these will fire water out at you and are not suitable for checking leaks as they would normally only operate when a person is in front of them. DO NOT AIM THE HAND SHOWER AT THE JOINTS OF YOUR SHOWER AS THIS DOES NOT FALL UNDER "NORMAL EVERYDAY USE". Adjust the feet to ensure the direction of the water flows towards to the waste to prevent puddling.

Just use COLD water setting as hot will make cabin misty and condensate thus the inspection becomes very difficult. Now on the OUTSIDE of the shower inspect each joint, factory seal, hose, clip and jet by walking from one side and going around to the back and then to the other side finishing at the front. If you have a small leak (normally caused through insufficient sealer or air bubble on assembly, dry the area thoroughly and reseal.

Please remember the location of the water may not be exactly where the leak is as it could have run around to a low point. Never seal your inner fittings unless necessary, remember you will see this for the life of the shower! Again leave to cure and check. Once you are happy check the shower functions i.e. jets for back massage, foot massage and finally hand shower (model dependent) check your joints to these functions at the rear again. Never use the shower until **all** checks have been made and the installer is 100% happy in the knowledge no leaks are present.

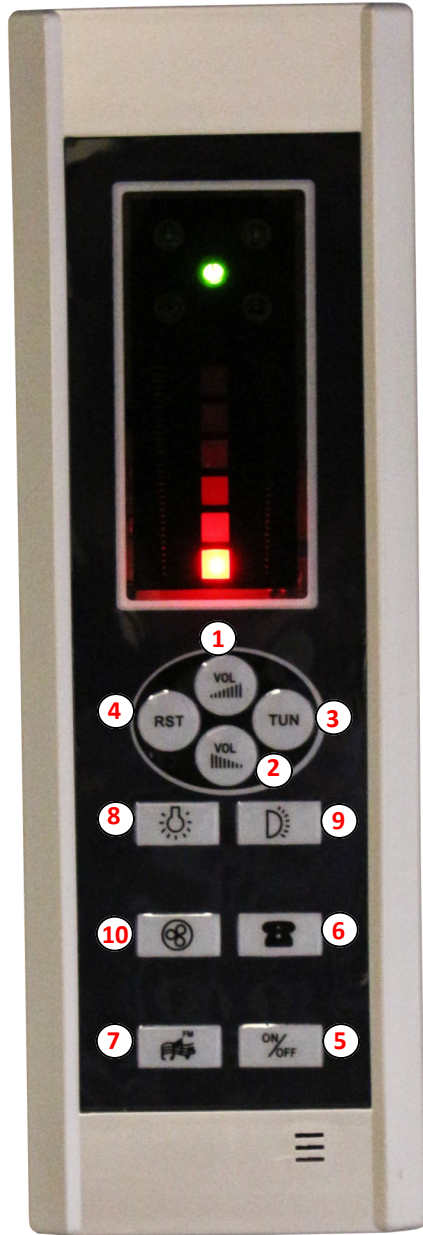
Important Note: It is not uncommon due to temperature changes, glass seals fitted into the frame lower horizontal and sides can and do shrink leaving a small gap. This is normal to prevent rubbers perishing or opening later in your showers life. Check yours now, any slight gaps simply seal neatly with a thin bead of silicone. This will prevent chances of leakage both now or later in life.

All good?

Now push your shower FROM THE BASE and NEVER THE GLASS OR FRAME into its final resting position.

Happy Showering!

Control Panel Instructions



Button 1 (+ VOL)

Volume Up

Button 2 (- VOL)

Volume Down

Button 3 (TUN)

FM Tune

Button 4 (RST)

Reset for FM radio channels

Button 5 (Power)

On/Off

Button 6

Inactive

Button 7 (FM)

Radio On/Off

Button 8 (LIGHT)

On/Off

Button 9

Inactive

Button 10

Inactive

Need Help?

If so then simply download Insignia's free comprehensive help and troubleshooting brochure now!

Simply visit: www.insigniarange.co.uk/help.aspx



**INSIGNIA PRODUCTS
HELP I HAVE PROBLEMS AND
NEED ANSWERS NOW!**



PLEASE KEEP IN SAFE PLACE

www.insigniarange.co.uk

Parts List

Internal Items

Part Code	Part Description
SP152	Multi-functional hand shower
SP048	Massage jet—2 open ends
SP048A	Massage jet—1 open, 1 closed
SP123	Shower Holder
SP159	Shower waste
SP097	Chrome rectangular door handles
SP240	Glass Shelf
SP072	Door stoppers
SP276	Twin Door Wheels
SP276A	Twin Door Wheels Push Button
SP294	Control panel
SP256	Monsoon Shower head
SP121A	Spotlight

SP036	Speaker
SP228	Speaker cover
SP211	Transformer
SP105	Flexible Shower Hose
SP	Approximately 4 metres of tapered seals

External Items

Part Code	Part Description
SP300	Waste hose
SP187	Drain Hose
SP308	Magnetic door seals
SP310	Rear door seals
SP115	3 Port — 2 feed Non Thermostatic valve
SP193	3 Port Selector Cartridge
SP091	Non Thermostatic Tap

Framework

Part Code	Part Description
ES006-17	Right Upright
ES006-16	Left Upright
ES006-3	Blank column
ES006-10	Top rail (Left)
ES006-13	Top rail (Right)
ES006-11	Bottom rail (Left)
ES006-14	Bottom Rail (Right)
ES006.1-2	Blank roof
ES006-1	Tray

Glass

Part Code	Part Description
ES006-4	Door (Small - Left)
ES006-6	Backwall (Small - Right)
ES006-7	Backwall (Large - Left)
ES006-5	Door (Large - Right)
ES006-8	Front Fixed Glass (Large - Right)
ES006-9	Front Fixed Glass (Small - Left)

All images are registered with
ImageTraker

Insignia™ is a registered trademark of Maclean International Ltd

All images are subject to copyright. Images may not be used in any way shape or form with out written permission from Maclean International Ltd. Images are NOT permitted to be saved, printed or uploaded. Violation of copyright laws are punishable by law.