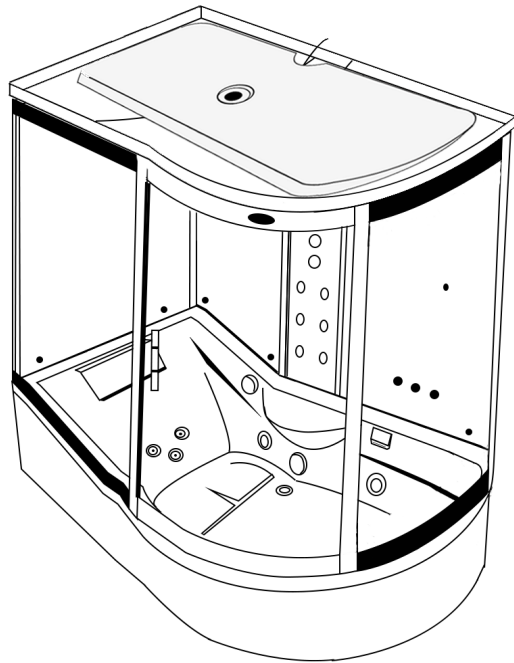




www.insigniarange.co.uk

INSTALLATION MANUAL

INS8059L



30 Day Technical Support: 01908 226545

(NOTE: This service is only available to customers from the day of delivery, please have your supplier's details and your postcode to hand before calling)

Replacements Parts: inside of your warranty contact:
www.insigniarange.co.uk/customerService.aspx

Spares/Replacements Parts: outside of your warranty
contact **0844 800 3069**

ATTENTION INSTALLERS:

These instructions must be
left with the customer

**CHECK ALL CONTENTS BEFORE BUILD COMMENCES. NO RETURNS CAN BE MADE
ONCE THE BUILD HAS STARTED AS IT IS DEEMED ACCEPTANCE OF PRODUCT!**

WARRANTY REG NO: _____

To claim your full 5 year warranty, register your shower within 90 days of delivery at: www.insigniarange.co.uk/warrantyreg.aspx. Standard 12 month warranty applies if outside this time period.



Thank you for your recent purchase of an Insignia shower. Please read this booklet with great care to ensure you get the best out of your build and have a shower that will last for many years to come!

OUR BADGE RATING IN TERMS OF DIFFICULTY OF ASSEMBLY IS BASED ON CLIENT FEEDBACK

1 Badge = Very easy

2 Badges = Easy

3 Badges = Moderate

4 Badges = Harder than average

5 Badges = Professional skills required

This shower is rated 5 Badges



Contents

Introduction	2
Electrical Requirements	5
What's In The Boxes?	7
Screw Pack Contents	8
Plumbing Requirements	9
Schematics	10
Starting The Installation	11
Electric Box Connections	22
Steam Generator Connections	23
Sealing and Water Testing	27
SUN Control Panel Instructions	28
Help Book Information	31
Parts list	32

ASSEMBLY AND PLUMBING

THIS PRODUCT BUILD IS RATED SUITABLE FOR DIY PURPOSES PROVIDING THE CUSTOMER IS OF ABOVE AVERAGE SKILL AND FEELS CONFIDENT IN THEIR ABILITY. ONLY YOU THE CUSTOMER WILL KNOW THIS SO BEFORE ANY ATTEMPT IS MADE TO ASSEMBLE, READ THROUGH THE FOLLOWING PAGES IN DETAIL THEN DECIDE. IF YOU HAVE ANY DOUBT USE THE SERVICES OF A PROFESSIONAL. IN PICKING SUCH, ALLOW THEM TO DECIDE IF THEY ARE CAPABLE OF BUILD BY FIRST SHOWING THESE INSTRUCTIONS TO THEM. ALWAYS GET THREE QUOTES.

REMEMBER THE BEST IS NOT ALWAYS THE CHEAPEST!

REMEMBER PLUMBERS PLUMB! 90% OF THIS JOB IS NOT PLUMBING!

DUE TO THE NATURE OF THIS PRODUCT WE HIGHLY ADVISE THE PURCHASE AND FITTING OF A WATER SOFTENER

(PLEASE NOTE LIMESCALE BUILD UP MAY CAUSE DAMAGE TO YOUR SHOWER AND WILL NOT BE COVERED UNDER WARRANTY)

ELECTRICAL CONNECTION TO HOUSE MAINS

WHEN YOUR ITEM IS ASSEMBLED ALWAYS USE THE SERVICES OF A FULLY QUALIFIED ELECTRICIAN COMPANY TO COMPLETE THE CONNECTION FROM SHOWER TO THE HOUSE SUPPLY. LAWS DEMAND IN MANY CASES YOU DO THIS AND YOUR WARRANTY IS VOID IN REGARDS TO THE ELECTRICAL ITEMS IF THIS IS NOT UNDERTAKEN.

YOURS AND OTHERS SAFETY IS PARAMOUNT. NEVER ATTEMPT THIS YOURSELF!

REMEMBER:

These showers are designed to be free standing and movable from their location should you have the need to replace anything. ALWAYS USE Flexible braided water inlet pipes (not supplied) at least a metre long (not central heating plastic type!)

Always use a flexible waste pipe from your house supply to the shower .

NEVER FIX with rigid pipes, NEVER FIX the unit to the wall.

DURING BUILD, LIKE ALL SHOWERS CORRECT SEALING IS IMPERATIVE.

If you are using Insignia's RubberGum, please ensure the product does not come in contact with your silicone as this will cause the RubberGum to fail and will not adhere as intended.

ATTENTION

ALWAYS FIT EASY TO GET TO ISOLATION TAPS ON BOTH THE HOT AND COLD WATER SUPPLY (NOT SUPPLIED). JUST LIKE A DISHWASHER OR WASHING MACHINE, THIS PRODUCT MUST BE ISOLATED WHEN NOT IN USE.

FLEXIBLE SUPPLY HOSES (NOT SUPPLIED) COUPLE HERE AS ORIGIN OF SUPPLY

TOTAL ELECTRICAL REQUIREMENTS

Voltage Rating	220 -240AC
Frequency Rating	50HZ
Power Rating	2.8KW

Your electrical contractor should understand **ALL** legal requirements of connection before undertaking any work or installation.

UNDER NO CIRCUMSTANCES UNDERTAKE THIS YOURSELF!!!

Note for electrician. This product comes with 13 amp plug(s) fitted with an RCD unit. We leave it this way for you to connect this your own way due to continued additions to current regulations.

1) Connect within current laws and IP directives.

2) (Preferred) Wire into isolated fused feed connecting directly to the house consumer/service box.

Always use protection against electrical surge. Your shower should be treated the same as a home computer. A surge protector should eradicate the possibility of either the transformer or control panel being burnt out.

Tool Requirements

None Supplied



Scissors



Stanley Blade



Silicone Gun



Spirit Level



Tape Measure



Philips Screwdriver



Electric Drill



Safety Gloves



Safety Glasses

PREVENT INJURIES!

This product may contain sharp edges. Assemble using gloves.

Use safety glasses when handling glass or drilling.

Adhesive Requirements



Bacteria Resistant Sanitary Silicone - (for vertical joints)

Not Supplied



Plumbers Mait (for waste joints)

Not Supplied

Hardware Requirements



A Steam Shower requires 3 x 1 Metre Braided Hose

Not Supplied

Whilst the next steps show you how to assemble your shower we want to make sure you have a correct build to ensure you get a trouble free shower. Therefore our advice is to follow the instructions and perform a dry run to ensure you are confident with the build and you understand fully how the unit is assembled. When we use the word "DRY RUN" this means you do not silicone anything, just simply construct the shower, align, drill and screw everything together. Once you are happy with the build take the unit apart and carry out the final fix.

What's In The Boxes?

Tray Box

1x Tray

1x Roof

2x Curved Rails

2x Accessories Box

Glass Room

2x Door seals

1x Glass door

2x fixed glass

Column

1x Complete Column

Backwalls

1x Angled Panel Backwall

1x Square Panel Backwall

Side Panel

Glass Side Panel

In addition to above you will have all the required internal accessories to complete the shower

Insignia Screw Pack

Product Code	Description	Quantity
SP097	Door Handles	1
SP011/012	Door Wheels	2 each
ST20	20mm Screws	20
ST35	35mm Screws	10
ST14	14mm Screws	6
ST25/PCH13/CPC16/B22	Various	14 each
BAG	Chrome Brackets	12
DB61	Drill Piece	1

VERY IMPORTANT

Have you got everything? If not please contact the Insignia Support Line on 01908 226545. Remember **NEVER** book your tradesman until everything has arrived, been checked and is present. No replacement/missing parts can be obtained free of charge during or after the build. Any claims can only be within the timescale permitted (48 hours after delivery) and always **BEFORE** build.

Pressure Requirements from your house supply

We recommend a bar pressure between 2.5 and 3.4 BAR. If you have a combi boiler system no problem should be experienced. If you have a gravity feed older type installation (hot water tank type usually less than 1 bar) you will almost certainly need a pump. We cannot advise on which type of pump is used, location or design because all house plumbing layouts vary. This is a job for your installer/plumber. The end delivery however must fall within the scope above.

Important Note Do not exceed 3.4 BAR pressure under any circumstances. Warranty is void if so as damage will occur. If you have a combi supply, please use a pressure reducing valve if required to lower the BAR pressure to the shower.

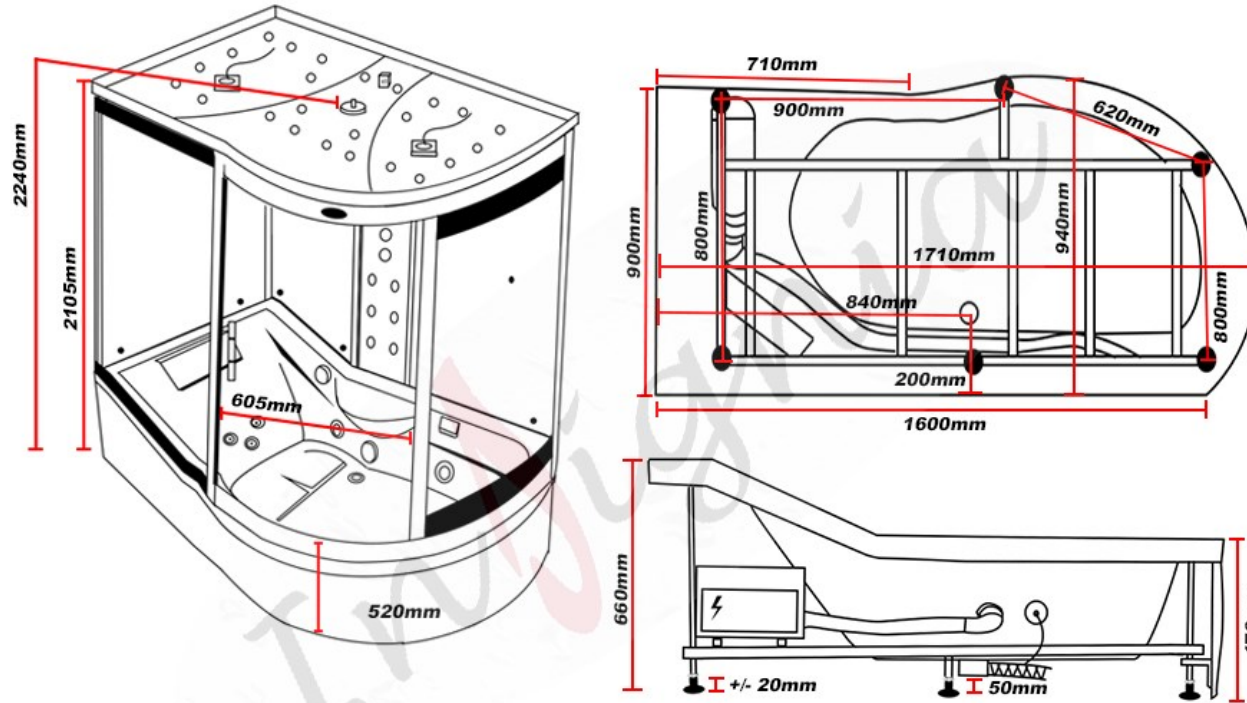
Please Remember that this product is free standing and is designed to be pulled away from the wall.

The waste hose must be of a flexible type (1m flexible waste supplied).

The water supply pipes need to be at least 1 metre in length and must be that of a flexible braided type (not supplied).

DO NOT OVERTIGHTEN THE BRAIDED HOSES AS IT CAN CAUSE THE CONNECTION TO POP AFTER A FEW WEEKS OF USE

INS8059L



Please ensure you have at least 400mm each side of your shower for assembly and servicing



Internal Height for this shower is 1980mm 6'5"

Whilst we endeavour to ensure our measurements are correct they should be used as a guide only. Insignia accept no responsibility as size, design and specification may change without prior notice.

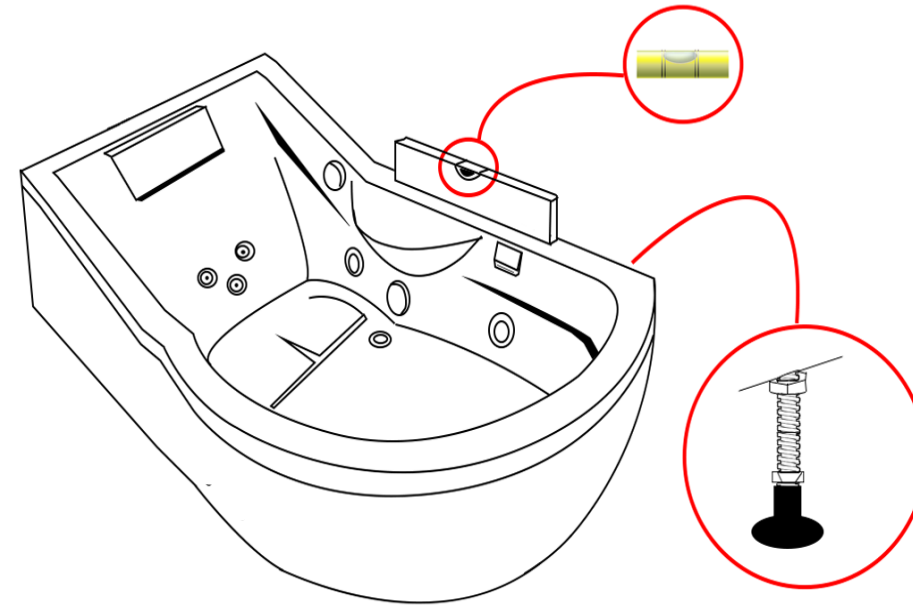
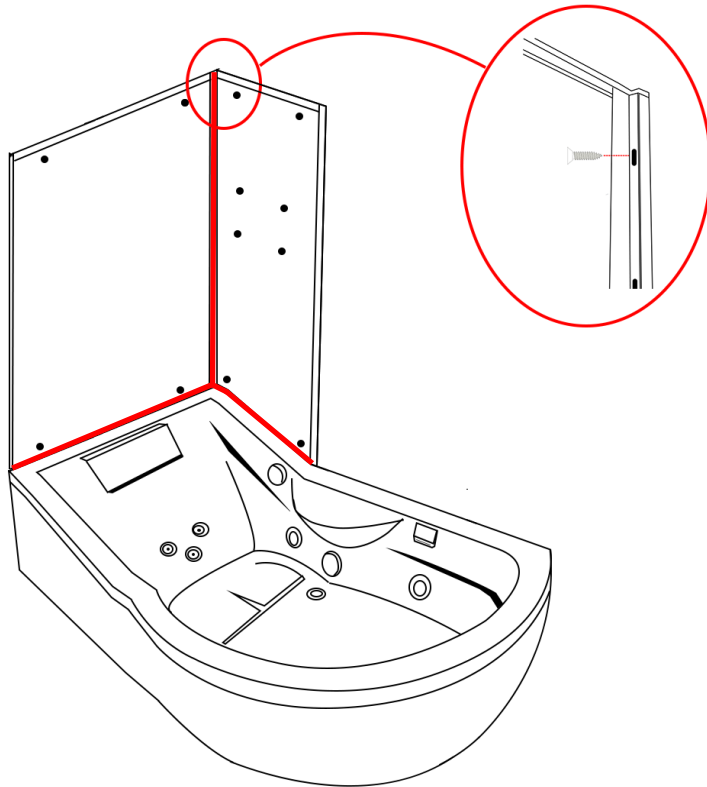
www.insigniarange.co.uk

TO START

Make sure you have a clear space, remember when finished and in place you need access to check your build and able to pull the shower out for servicing or should you have the need to replace anything!

Take the shower tub and remove all the protective wrapping and fit the waste. In the side of the waste supplied in the optional fitting kit you will notice a spigot not seen on an ordinary waste. In most cases this is blanked yet should you have a steam version you need to gently drill this out as this item is for the steam generator drainage and will be connected in the instructions later.

Now please level the tray by firstly placing the tray in its final location and then using a spirit level, adjust the tray feet accordingly. Once you are happy with the levelling of the tray, you can pull it out to begin the main construction.



Step 1

Once you have successfully completed a dry run,

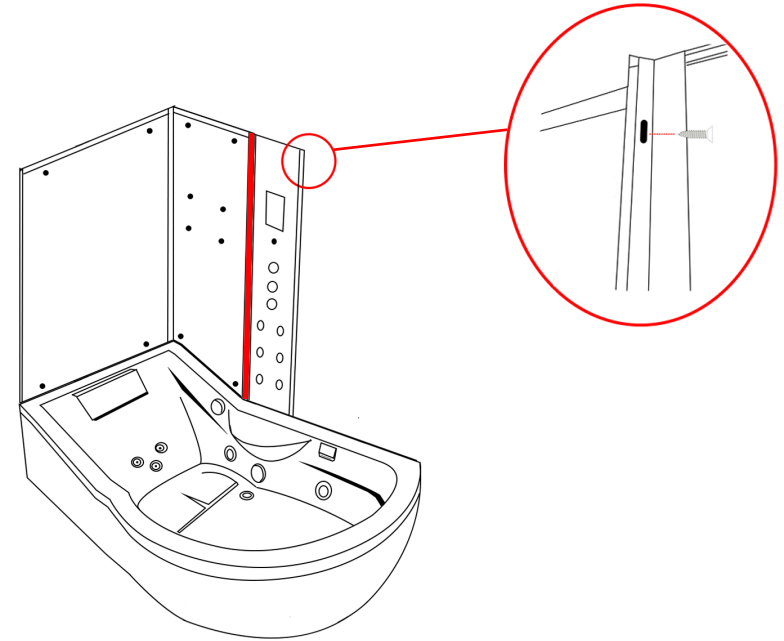
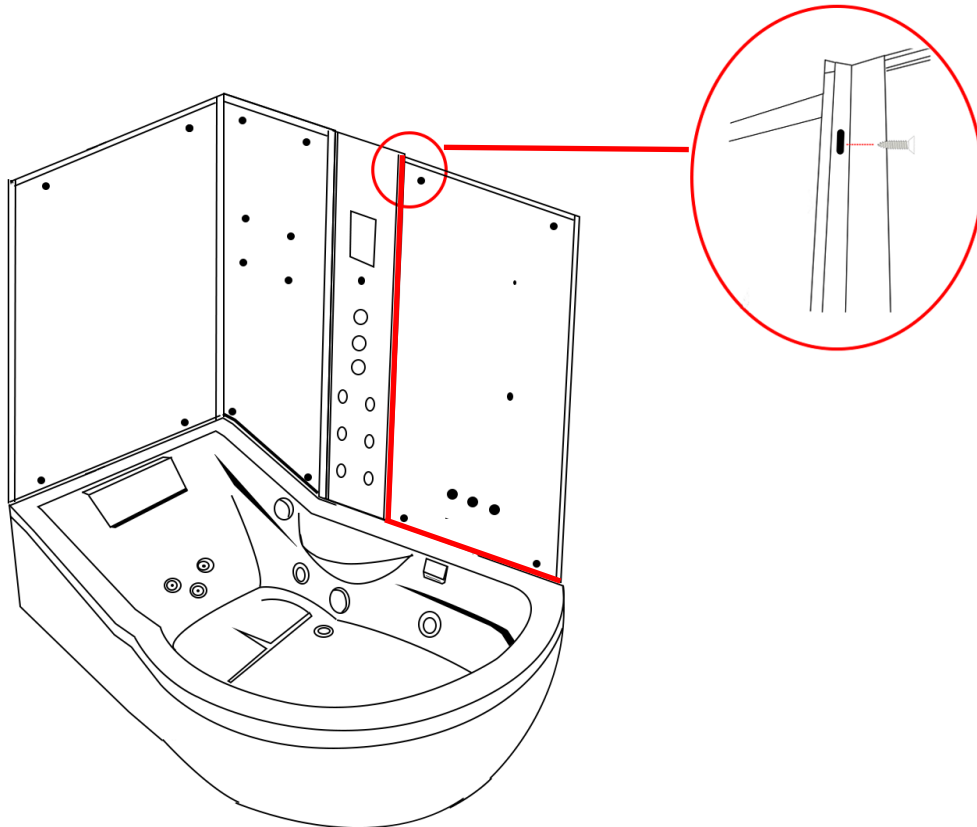
Then continue to place the separate side panels onto the bath, screw together the angled back piece and the side panel using the **ST14 screws** x4

We advise to run a bead of **silicone** along the vertical edge in-between the two back panels and in-between.

Step 2

(please note, if your column has a rubber seal at the bottom , take the rubber off and apply **silicone** inside the rubber and replace)

Again, **Once you have completed a dry run** and are happy, Then continue to apply the silicone to the specified area of the control column and place next to the angled back glass panel and fix together using the **ST20** screws.



Step 3

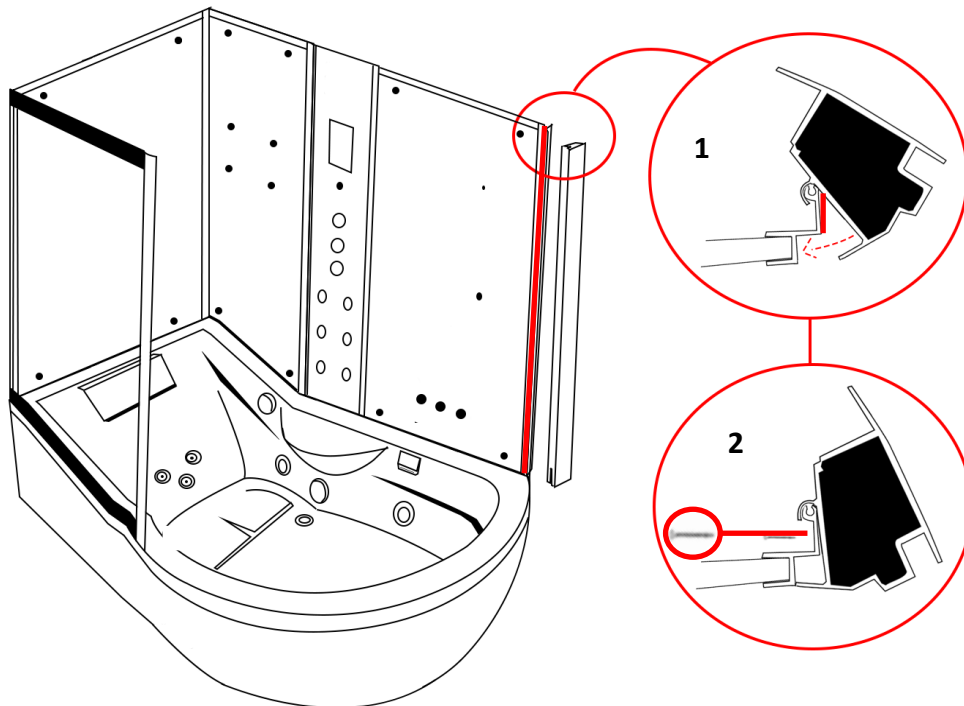
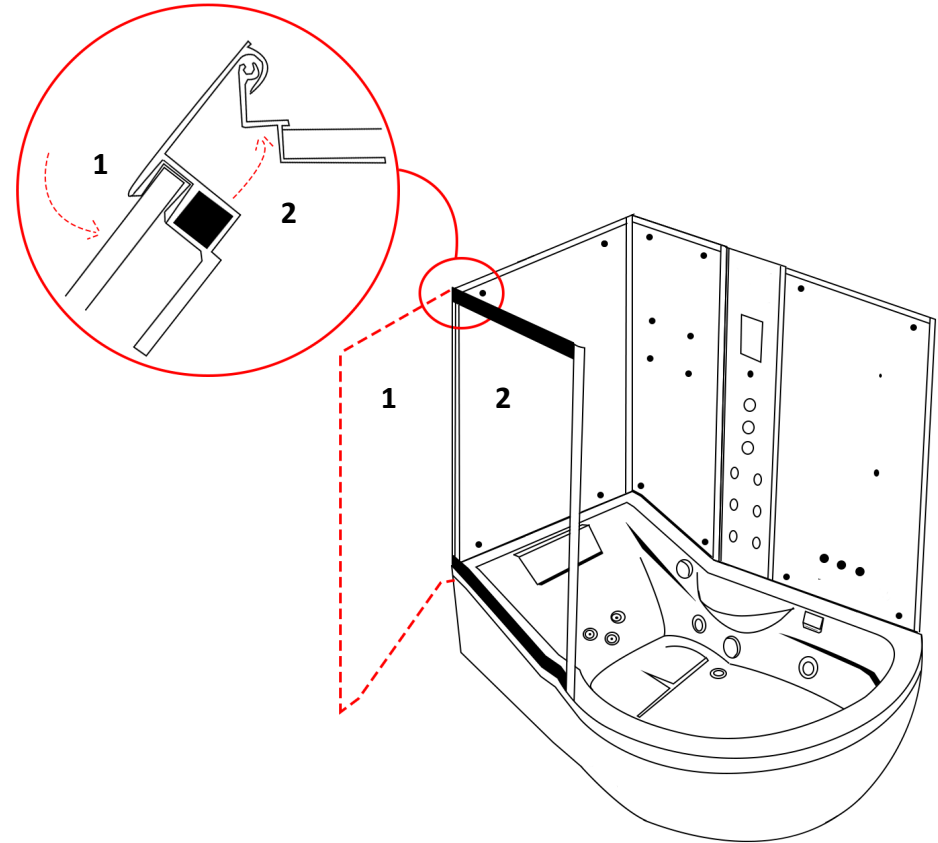
Apply **silicone** to the specified area's as shown and now fix together and screw the large back glass panel to the column using the **ST20** screws.

Step 4

Now lock the front angled glass panel to the side glass panel by following the position shown in the image marked "1"

Once you have met the back panel inside the front upright as per the close up image walk the panel around to the position shown in the image marked "2"

NOTE: **Do not** apply silicone until Step 6



Step 5

Silicone specified as shown in diagram.

Next using the angled upright, place this to the rear squared glass panel by following the position shown in the image marked "1"

Now move the angled upright in the direction as shown in image "1" until this is into place as shown in image "2"

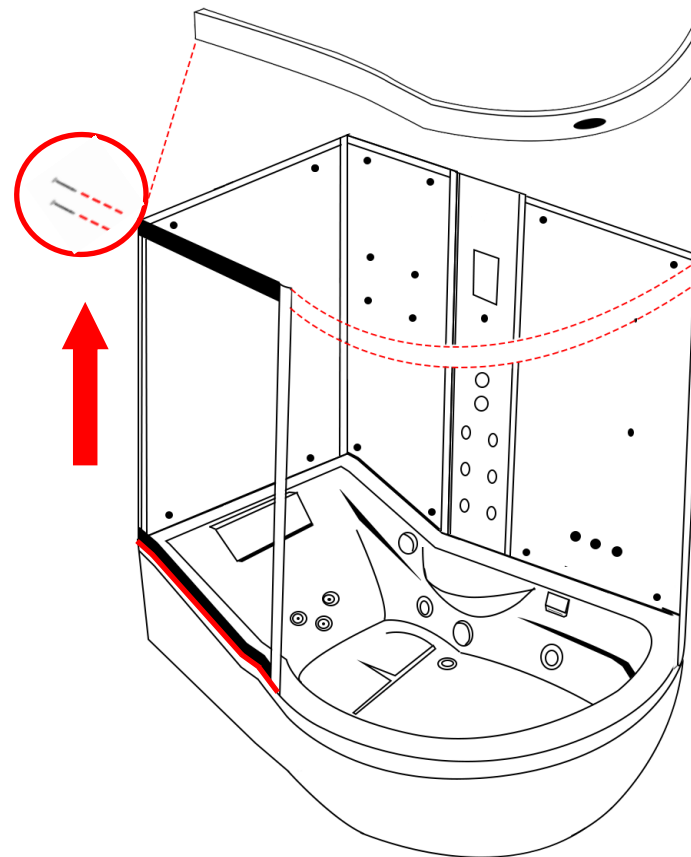
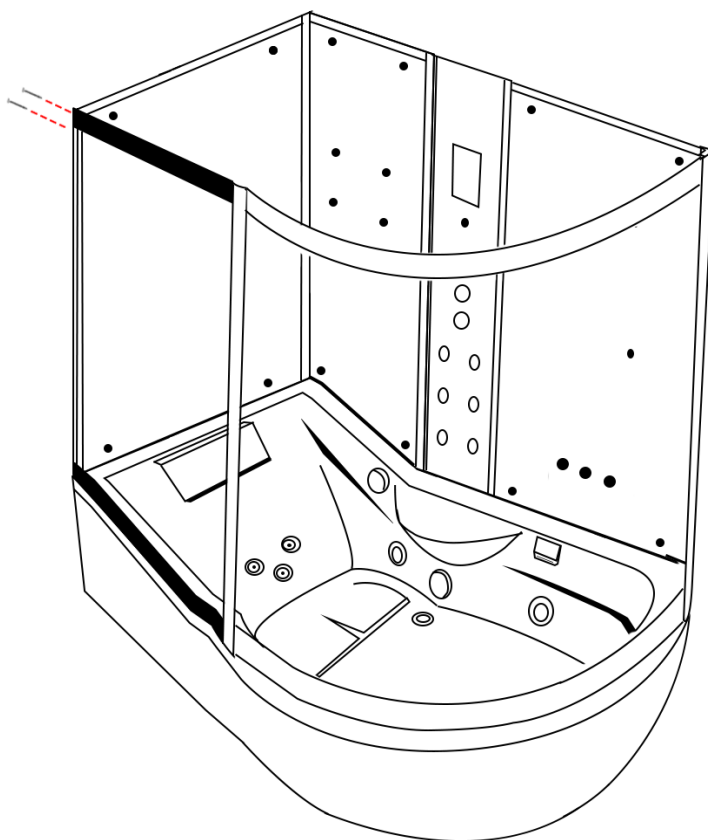
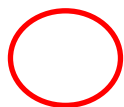
Once you are happy with the alignment then continue to screw the upright into place at the top and bottom using **ST14's**

Please note: These are not pilot holed and you will need to use the DB6

Step 6

Lower the top curved rail into position and screw from the rear side as per the image using the **ST35** screws.

Fix the front of the top curved rail onto the upright of the front fixed angled glass. Please note in order to do this you will need to slide up the front fixed panel roughly 3 inches to expose the screw holes.



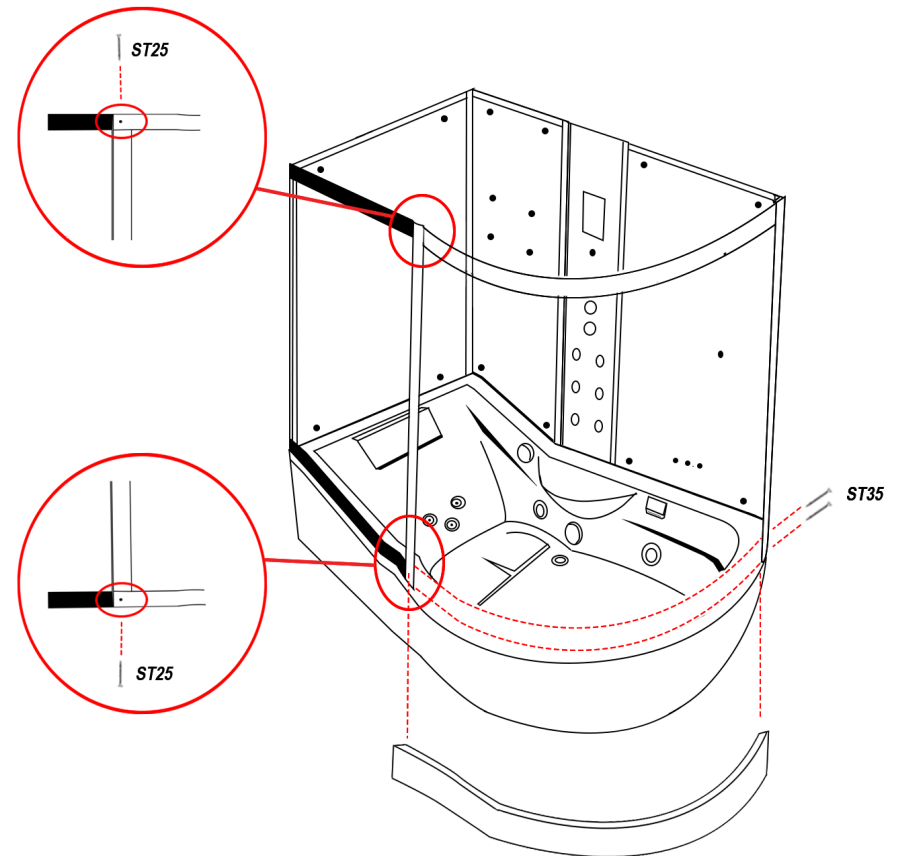
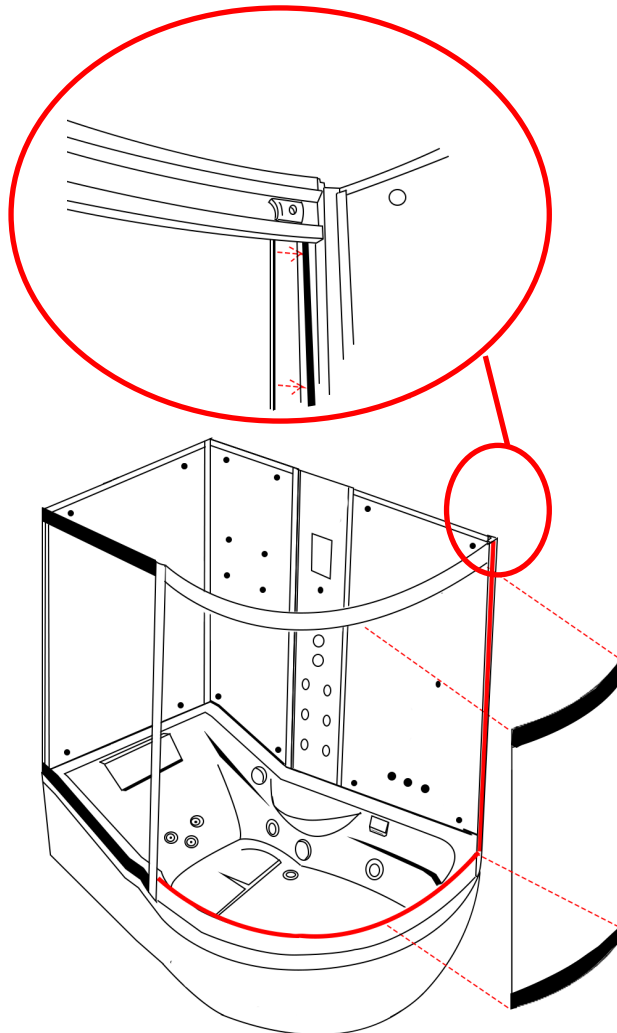
Step 7

Then using **ST35** screws fix the top rail to the opposite upright as demonstrated in the following diagram

Step 8

Now apply **silicone** to the bottom of the remaining curved rail and place into position as shown in the diagram and fix this into place using the **ST35** screws and **ST25** screws

Please note that when drilling the holes to take the screws this is at a depth no deeper than 5mm.



Step 9

Apply **silicone** to specified area as shown on the diagram, then take the front curved glass panel and insert into the upright. Then using the flat rubber seal insert in between the glass and upright.

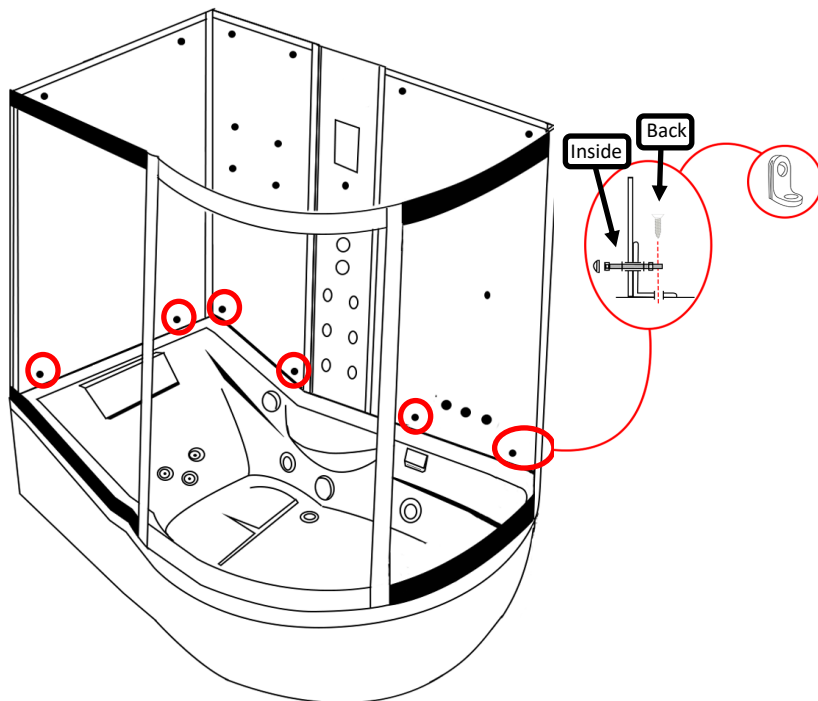
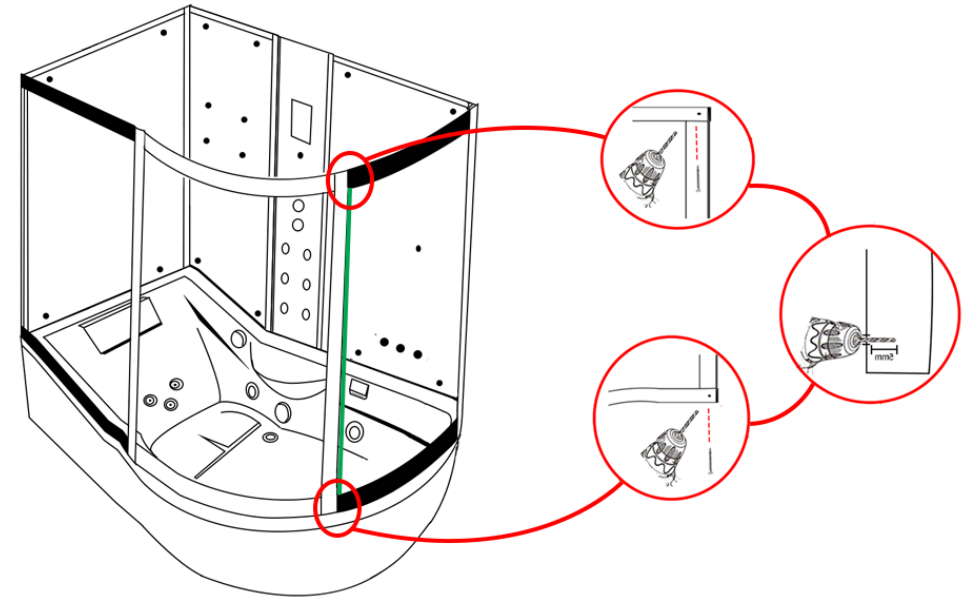
NOTE:

(It's common that the curved glass once is position may not fit completely snug against the rail due to alignment. This is normal and is rectified by the use of a silicone seal)

Step 10

Insert remaining upright to the left of the curved glass panel. Drill and screw this into position using the **ST20** screws and once fixed slide the flat rubber glass seal into this newly fitted upright on the inside (as of the green line in the image)

Please Note: ensure you drill no deeper than 5mm.



Step 11

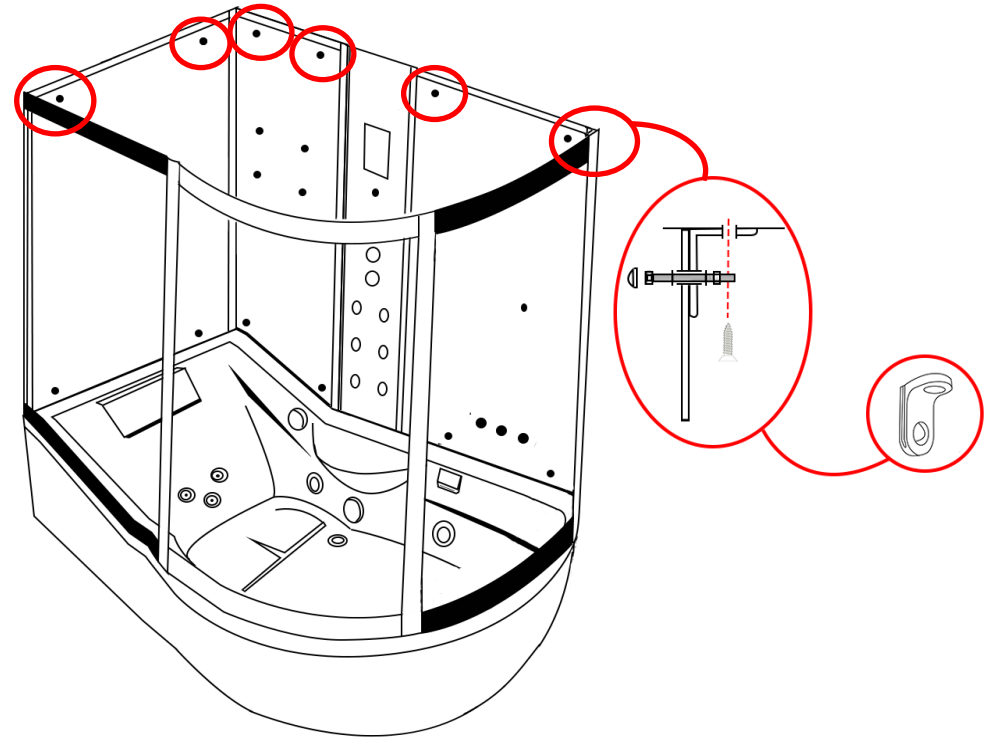
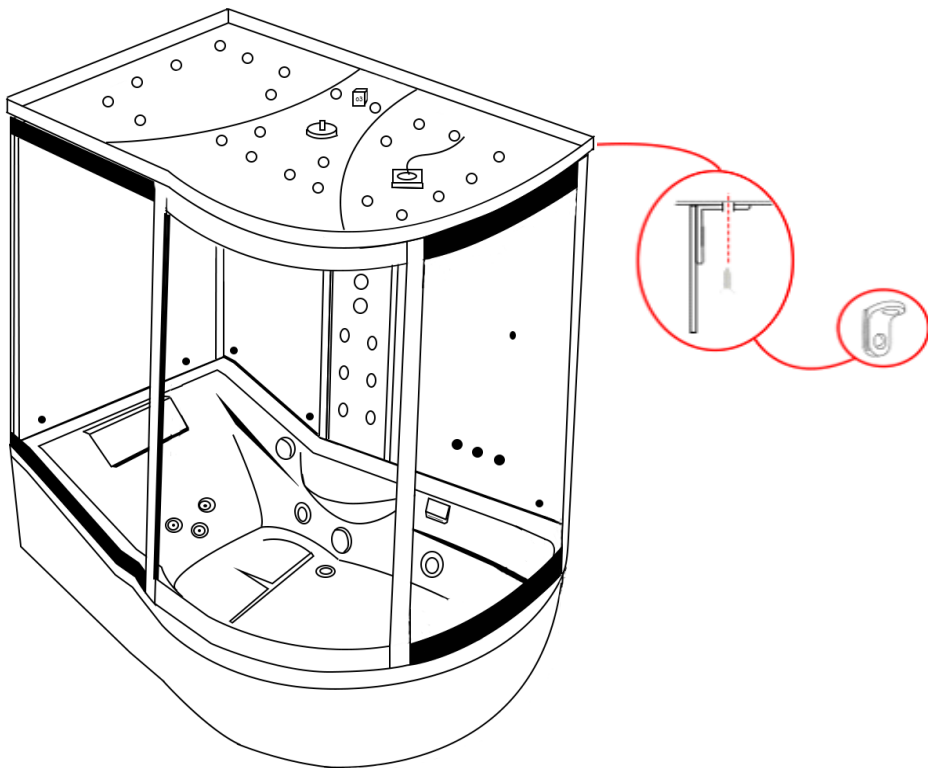
Pierce through the holes using a screwdriver to show pre-cut holes in the glass as indicated in the image. Now using the chrome "L" brackets, fix these to the outside of the glass panels using the provided nuts and bolts (**B22**) please ensure the bolt goes through the plastic cover holder (**PCH13**) first

Align the shower panels until you are happy with the sitting of these and now using the **ST25** screws, screw the brackets to the tub

Now place the Chrome cover caps (**CPC16**) onto the cover holders (**PCH13**)

Step 12

Pierce through the holes using a screwdriver to show pre-cut holes in the glass as indicated in the image. Now repeat the process from step 11 to secure the roof to the glass panels

**Step 13**

Align the shower roof to your side panels and when you are happy with the alignment of the roof, use the **ST14** screws to screw this into place

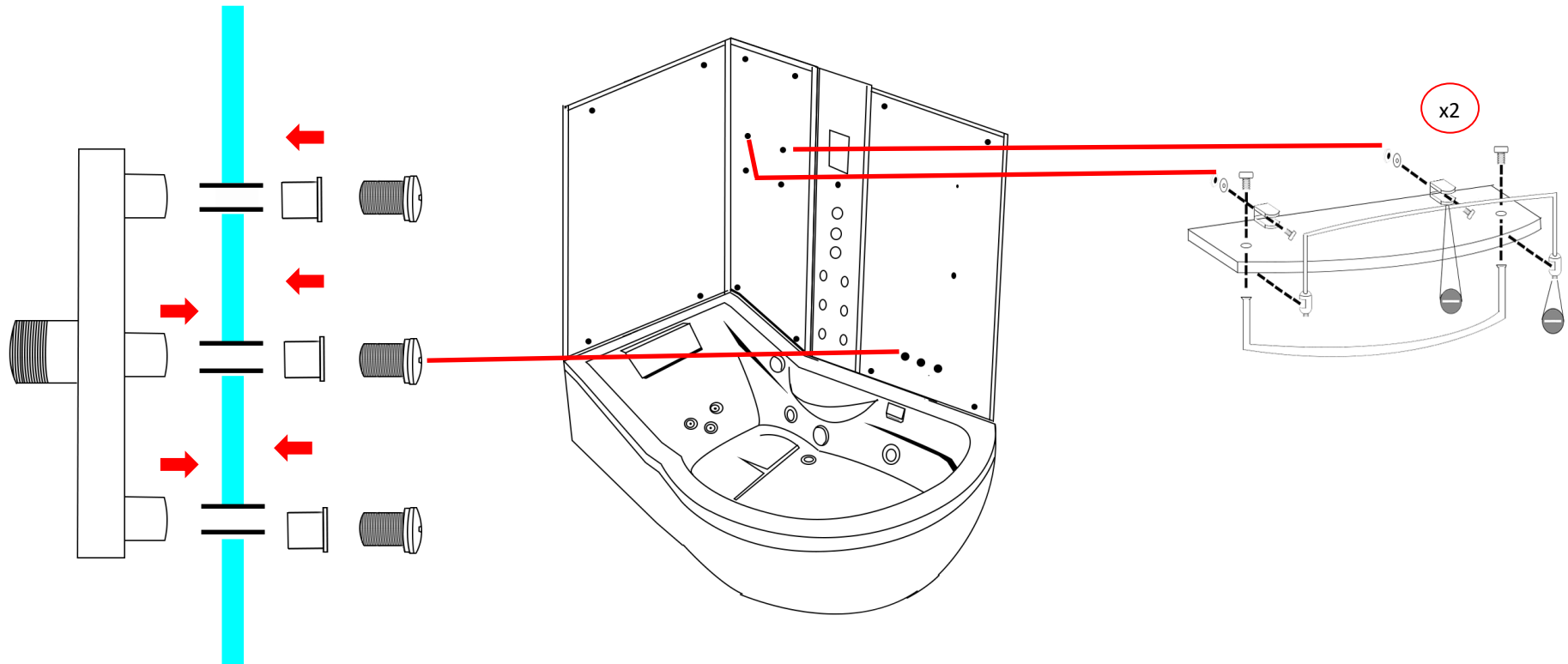
Accessory Installation

Please Note

Ensure all grey backing film on the rear of the glass panels are pierced through the existing glass holes with a knife to provide an efficient smooth fitting and location of the accessories. We recommend using a screwdriver on the smaller holes.

Shelf

Fix the chrome floating shelf brackets to your glass back panel by using the provided screws. Now attach the chrome tubed bars to your glass shelf as illustrated in the below image. Next slide the shelf into your shelf brackets and secure by tightening the grub screw situated on the bottom of the bracket.



Tri-Jet Steam System

Locate the three holes in the glass panel. Put the Tri-Jet manifold (as shown) through and screw the three small outlets to it.

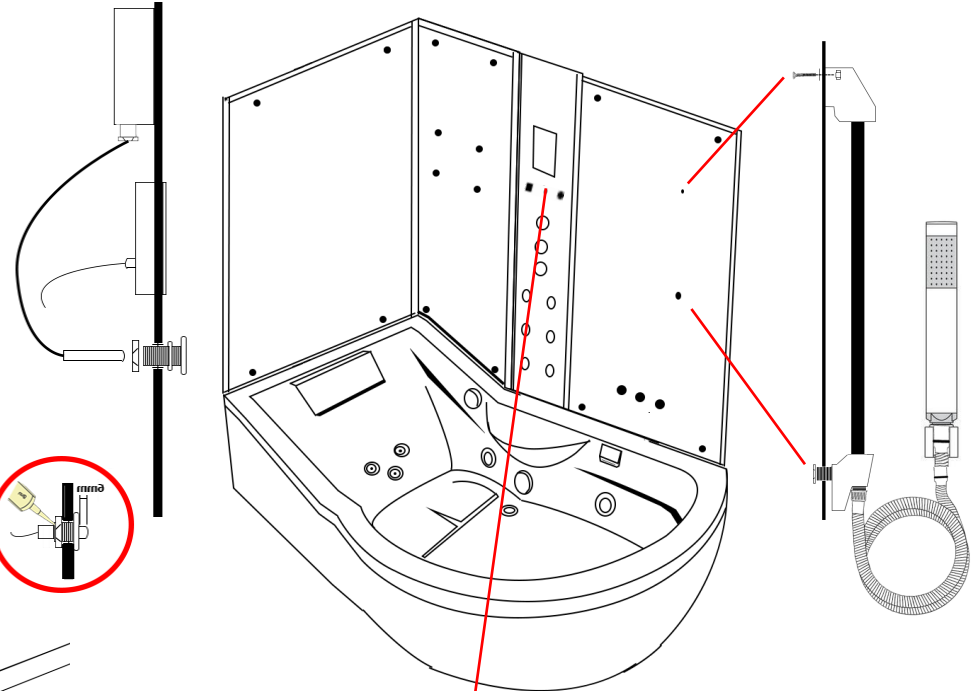
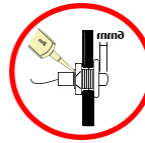
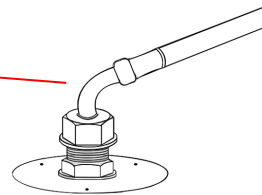
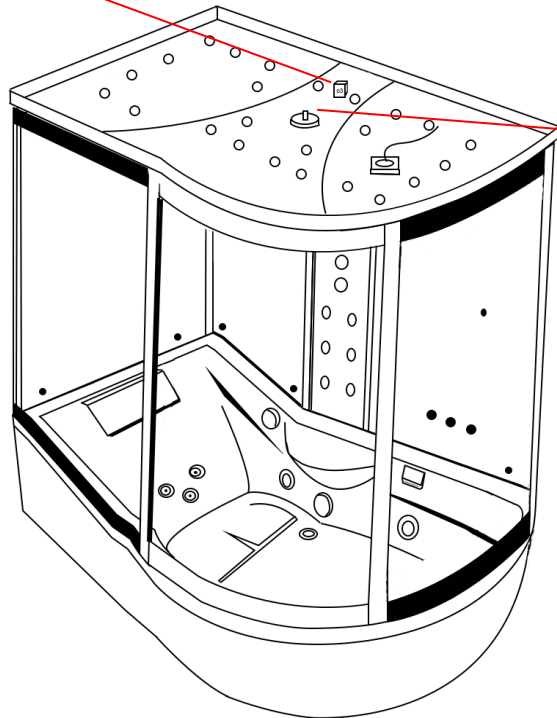
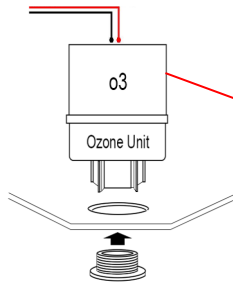
Hand Shower

Attach the chrome riser bar to the glass wall ensuring the water inlet is inserted through the lower large hole and hand tightened from the rear side.

Now tighten the chrome shower holder ensuring that this will take the hand shower itself without falling (please note over tightening will prevent the holder from sliding up and down)

Thermostatic Probe

Insert the probe into the hole situated below the control panel roughly 6mm into the cabin and run clear silicone around the rear side of the probe



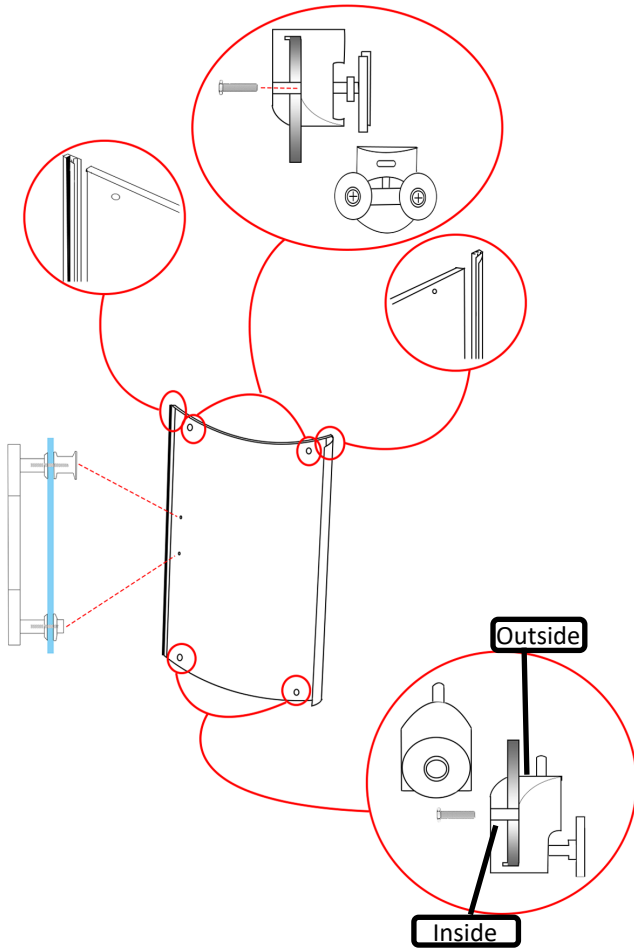
Please see your AMI system installation guide for further details

Ozone (o3)

Unscrew the chrome pepper pot end and drop the white box upside down into the rear hole as shown in the image. Now from the inside of the shower re-attach the chrome pepper pot end and tighten.

Monsoon Head

Attach the grey hose from your valve to the inner black tube using PTFE tape (please note this only needs to be hand tight. Over tightening will snap/damage the inner black tube)



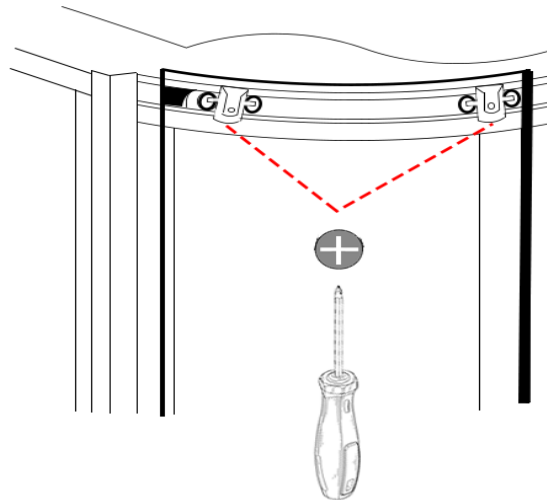
Door Seals

Magnetic Seal: Push the magnetic door seal on the handle side of the glass door ensuring this is tightly fitted.

Rear Door Seal: Place the rear door seal on the opposite side to the magnetic strip ensuring the flap is facing the fixed glass panel

Handle

Ensuring that the inner thread is protruding out from the handle far enough, place the handle on the outside of the door and secure by tightening the inner chrome knob to the protruding inner thread

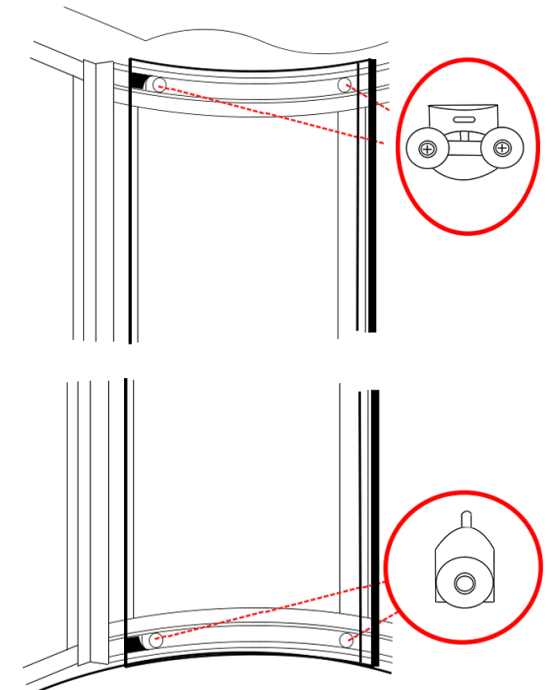


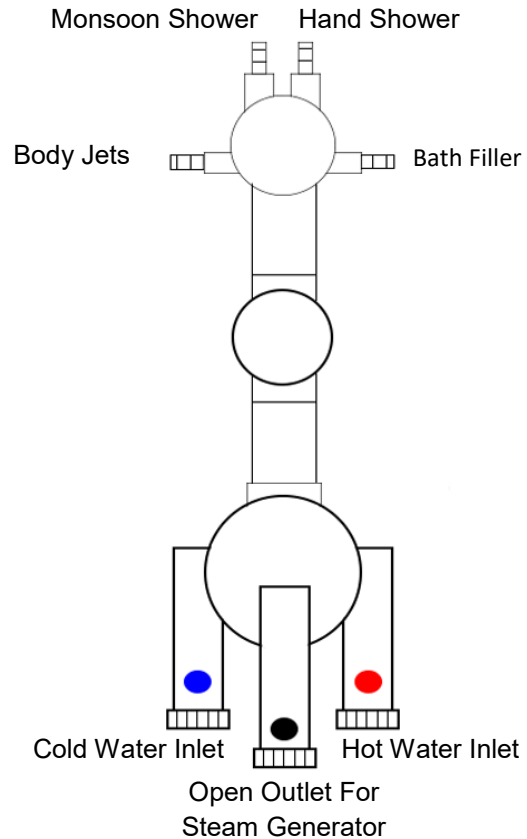
Door Wheels

Fit the adjustable wheels to the top and bottom of the glass doors and ensure the wheels are facing towards the rail then hang the top wheels on to the top inner curved rail.

Now on the bottom wheels please push the button to lower the wheel for ease of installation and push the wheel into the bottom curve rail. Once you are happy that the wheel is in the track, depress the button and allow the wheel to enter therefore ensuring a secure a tight fit. Next adjust the top wheels by turning the screw clockwise in which in turn will pull the wheels towards the track ensuring a secure a tight fit.

Now grease the track to ensure a smooth and long lasting operation (not supplied)





Shower Valve

Device output may differ from the image. Please refer to your outer chrome faceplate inside your Insignia shower as a reference point.

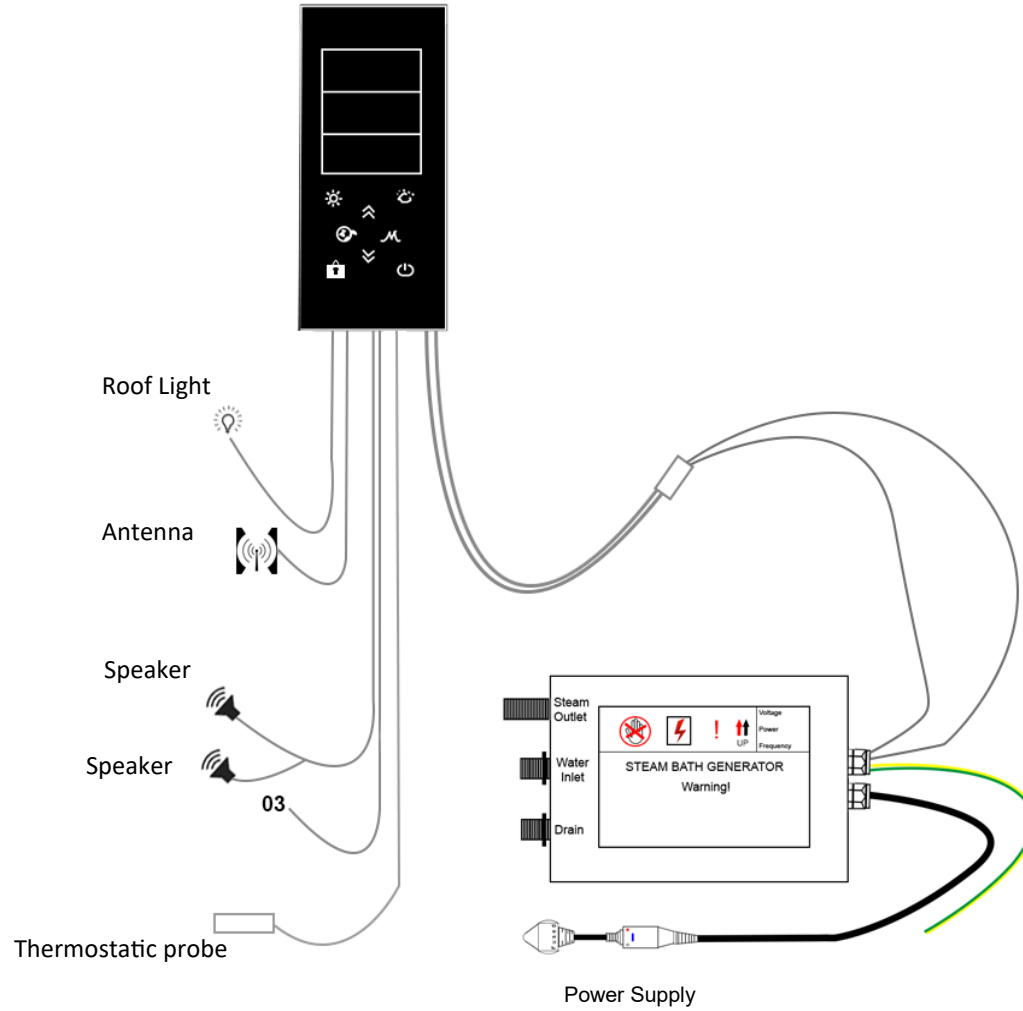
IF YOUR DIAL DOES NOT CORRESPOND TO THE APPROPRIATE DEVICE:

Turn on your water to the shower and note which output the water exits from then turn off the water and swap over the relevant hose.

Alternatively remove the outer chrome knob by removing the chrome cap and loosening the grub screw (please ensure not to unscrew fully as this will drop within the chrome knob) this is found on the opposite side to the chrome pillar. Once you have succeeded in loosening this you can now slide your faceplate to correspond to the device.

Electric Box Connections

Connect the cables below to the corresponding devices on the shower



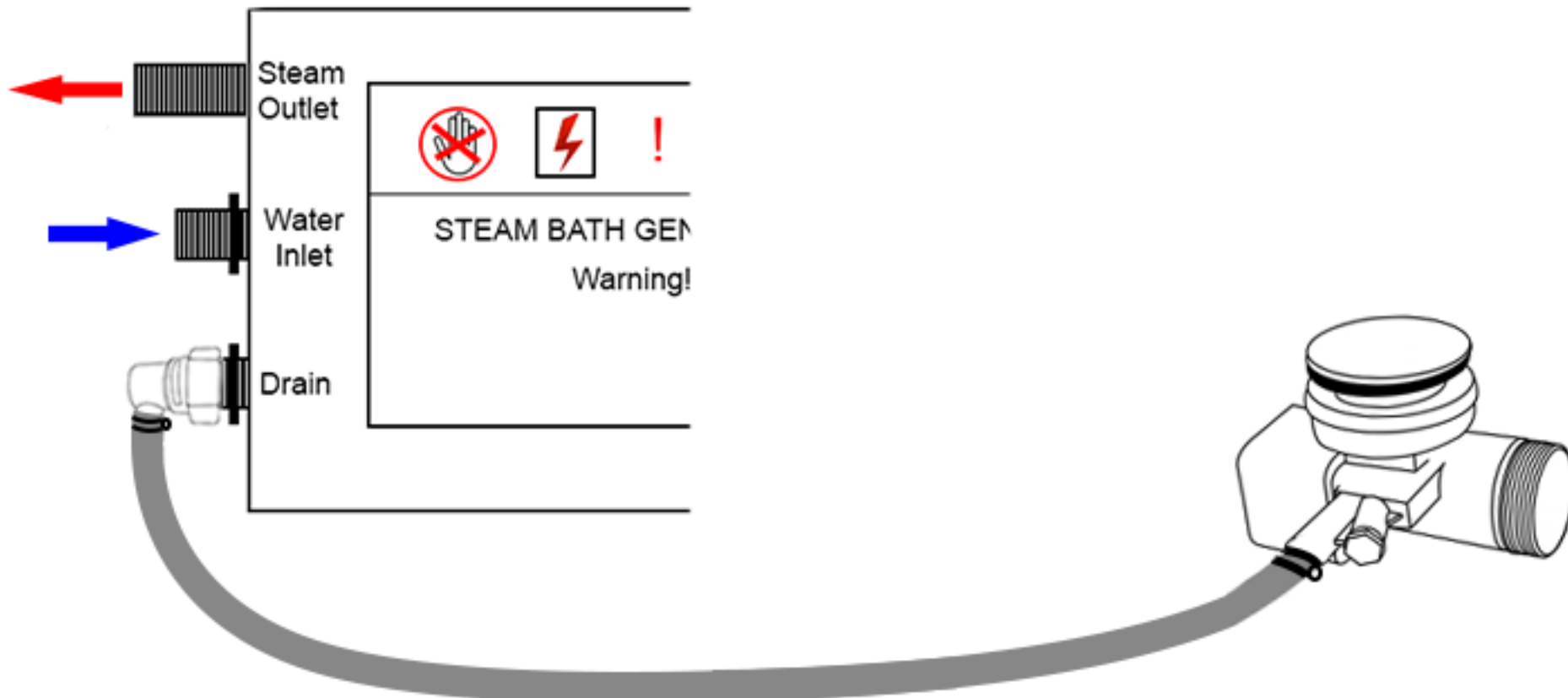
Steam Generator Connections

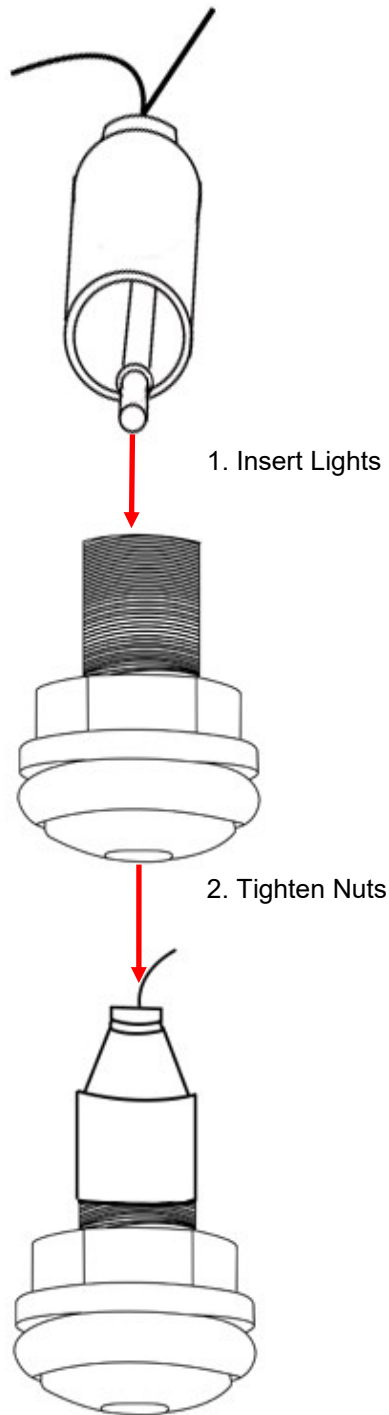
The steam generator has 3 connections.

Steam Outlet: Connect the white insulated hose to the white steam pod within your shower. Make sure these are fitted in the correct position as they are only attached for transportation reasons only.

Water Inlet: Connect a braided hose from the shower valve's centre feed to this opening. (Not supplied)

Drain: Connect the grey rubber hose from the steam generators drain opening to the nozzle on the shower waste (as shown in the below image)

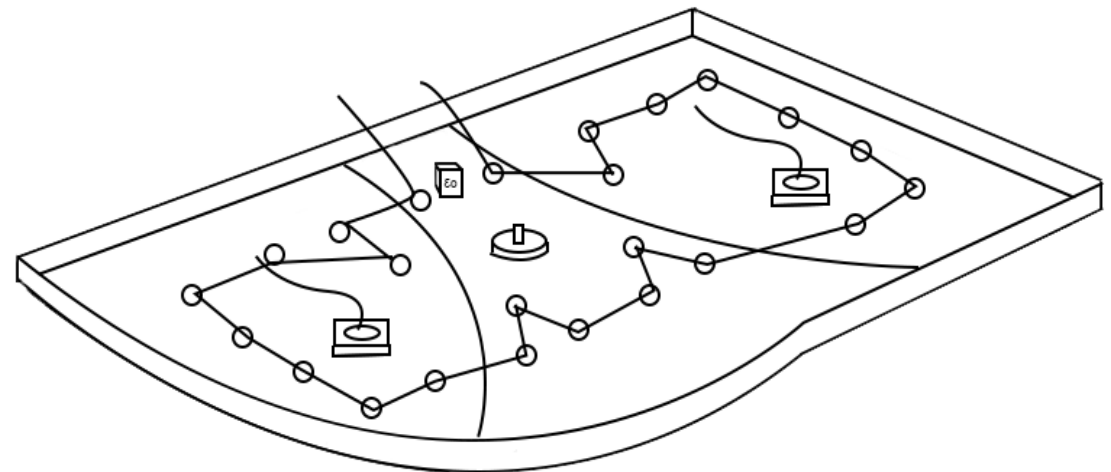




Roof Lights

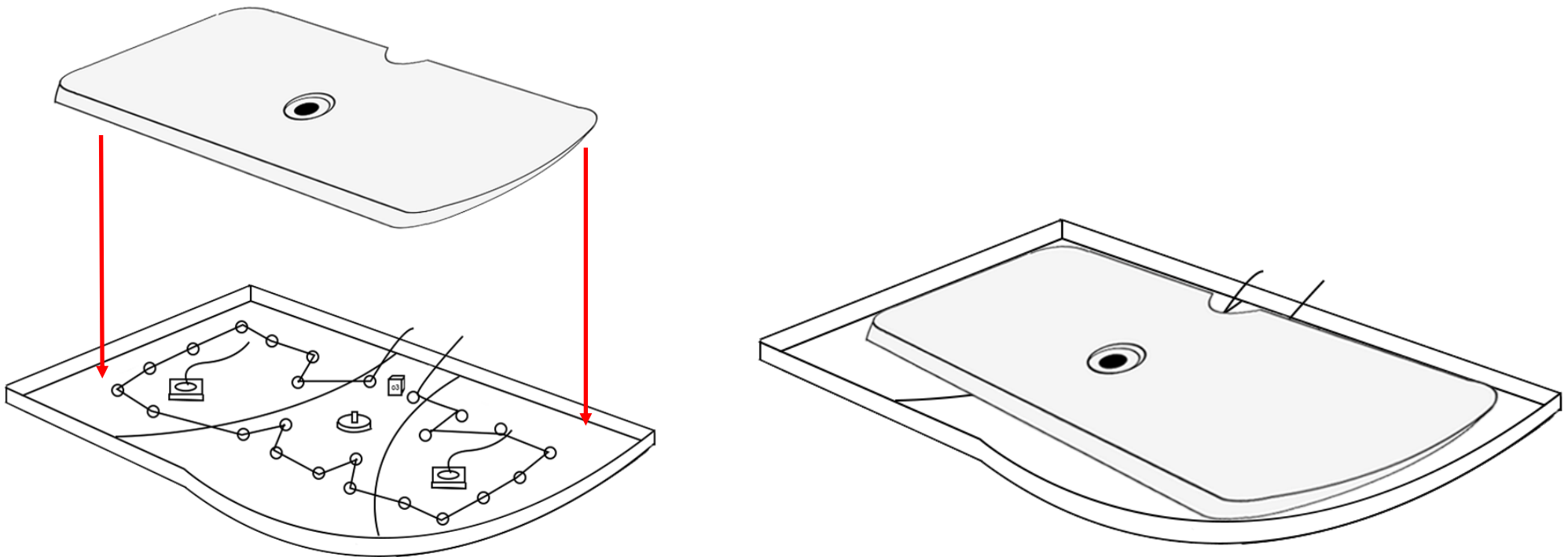
The roof lights come packed in with your accessories and need to be inserted on site. On top of the roof there are 24 nuts, which simply need tightening by hand. Once this is done, the lights simply push onto the fitting. Start on one side with the light closest to the middle as shown below. Follow the lights around in the order shown, as this allows a consistent path around the entire roof, and will leave you placing the last light next to the first light. This is important as the connection for the lights feeds up onto the roof, and you need your starting point and finishing point to be as close as possible.

Please Note: When connecting the roof LED lights to the electric box, only the male connection is needed, leaving the female connection hidden away under the roof cover.



Roof cover

After installing the LED light fixtures place the roof cover over the led cables as shown in the diagram.



Safety precautions

Never leave children unattended in the shower or bath.

Never bath children (under 12) using whirlpool function if fitted.

Regulate the temperature of water before showering

Never allow children to use the steam function. This function is for ADULTS ONLY.

Always be aware of the steam outlet pod position. Never use in close proximity to the person using it.

Never use this shower if you have been drinking alcohol.

Never use with more than one person unless the shower is designed for this.

This product is not to be used for washing/bathing animals

Always turn power supply off after use

Always turn water supply off after use.

Silicone Seal (vertical joints)

shown in red on the inside of the shower

TESTING FOR WATER LEAKS

LEAVE THE SHOWER 24 HOURS AFTER BUILD TO ALLOW SEALANT TO CURE AND ENSURE THE SHOWER IS AWAY FROM ITS FINAL POSITION TO ALLOW REAR VIEWING

Ensure all connections are tight and sealed including the waste, body jets and steam outlet (model dependent) on your shower. **We also advise to run a thin bead of silicone around the control panel.**

Switch on the overhead shower NOT the massage jets, remember these will fire water out at you and are not suitable for checking leaks as they would normally only operate when a person is in front of them. **DO NOT AIM THE HAND SHOWER AT THE JOINTS OF YOUR SHOWER AS THIS DOES NOT FALL UNDER "NORMAL EVERYDAY USE"**. Adjust the feet to ensure the direction of the water flows towards to the waste to prevent puddling.

Just use COLD water setting as hot will make cabin misty and condensate thus the inspection becomes very difficult. Now on the OUTSIDE of the shower inspect each joint, factory seal, hose, clip and jet by walking from one side and going around to the back and then to the other side finishing at the front. If you have a small leak (normally caused through insufficient sealer or air bubble on assembly, dry the area thoroughly and reseal.

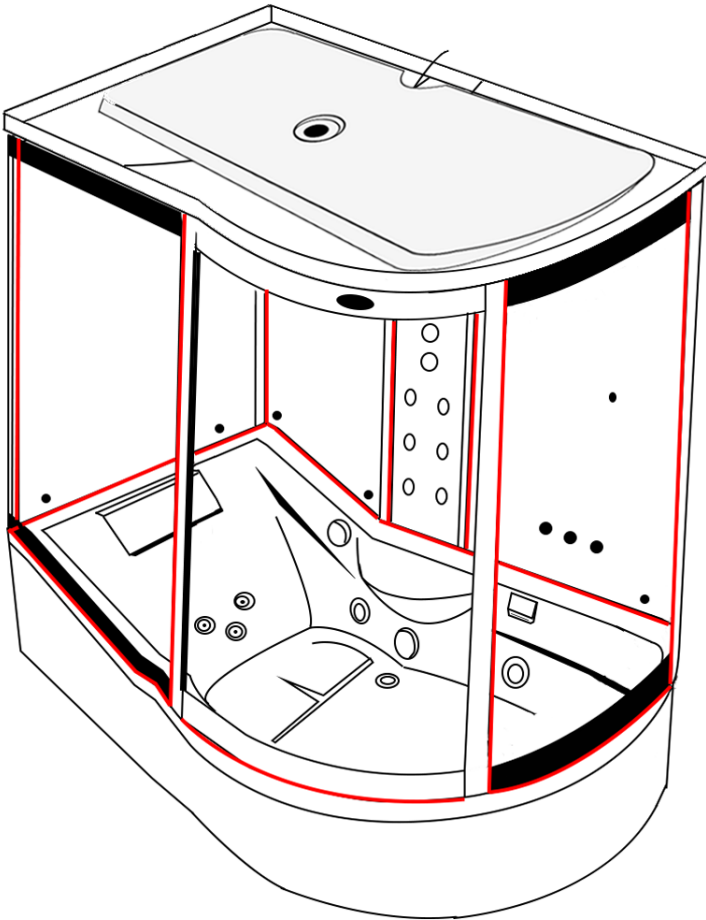
Please remember the location of the water may not be exactly where the leak is as it could have run around to a low point. Never seal your inner fittings unless necessary, remember you will see this for the life of the shower! Again leave to cure and check. Once you are happy check the shower functions i.e. jets for back massage, foot massage and finally hand shower (model dependent) check your joints to these functions at the rear again. Never use the shower until **all** checks have been made and the installer is 100% happy in the knowledge no leaks are present.

Important Note: It is not uncommon due to temperature changes, glass seals fitted into the frame lower horizontal and sides can and do shrink leaving a small gap. This is normal to prevent rubbers perishing or opening later in your showers life. Check yours now, any slight gaps simply seal neatly with a thin bead of silicone. This will prevent chances of leakage both now or later in life.

All good?

Now push your shower FROM THE BASE and NEVER THE GLASS OR FRAME into its final resting position.

Happy Showering!



Control Panel Instructions



Button 1 (Lights)

Once the control panel is switched on, the lights will come on automatically. Press the Light button once and the lights will start to scroll through the multiple colour options.

Then to stop the lights on a specific colour simply press the light button again on the desired colour.

Button 2 (Steam)

To start the steam function, simply press the steam button (which looks like a cloud).

Press the “M” button to bring up the temperature setting (in the top corner you will see a temperature symbol). Then use the up and down arrows to change the temperature of your steam.

Continue to press the “M” button again to set the steam timer (to the side you will see “min”) and use the arrows to select your desired time. Finally press the “M” button again to finish setting the timer.

Button 3 (Up Arrow)

Radio search (higher frequency)

music track (next song)

volume increase.

Button 4 (Audio select)

To tune your radio channels firstly press the Audio Select button (which looks like a musical note and a Bluetooth symbol).

Then once the radio is on press and hold the “M” button until it starts scrolling.

Finally, once the panel has finished scrolling then use the up and down arrows to cycle through all the radio stations that were found.

To connect a device via Bluetooth, press the music function button twice (which looks like a musical note and a Bluetooth symbol), the control panel will show “INS”.

Then simply go on your device and pair up with the shower which will be named as “INS”.

While your Bluetooth device is connected, use the music function button to pause and resume your music. (further details can be found on the next page)

To see our tutorial videos for operating this control panel’s features, please search for “Insignia Showers” on YouTube and find our “SUN Control Panel” Playlist, or you can [click here](#)

Control Panel Instructions

Connecting to Bluetooth



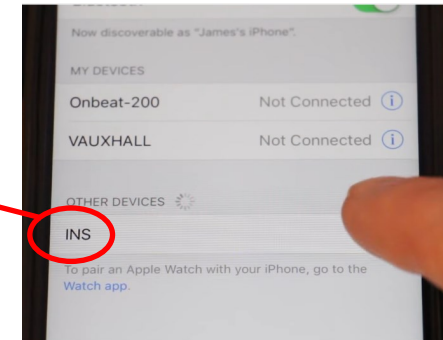
Step1

To connect a device via Bluetooth, press the music function button twice (which looks like a musical note and a Bluetooth symbol), the control panel will then show "INS".



Step2

Then simply go on your device and pair up with the shower which should be shown as "INS". Once this is complete you will hear a beep to signify you're connected and ready to listen to any music of your choice.



Tuning your radio channels



Step1

To tune your radio channels firstly press the Audio Select button (which looks like a musical note and a Bluetooth symbol)



Step2

Then once the radio is on press and hold the "M" button until it starts scrolling.



Step3

Finally, once the panel has finished scrolling then use the up and down arrows to cycle through all the radio stations that were found.

Control Panel Instructions



To see our tutorial videos for operating this control panel's features, please search for "Insignia Showers" on YouTube and find our "SUN Control Panel" Playlist, or you can [click here](#)

Button 5 (Mode)

Whilst listening to audio you can change the volume on your control panel by pressing the "M" button.

You will see the volume control represented by a number followed by "db" then use the up and down arrows to change your volume.

Once happy with your volume leave your control panel idle for a few seconds and it will return to its normal screen.

Button 6 (Unlock)

Press to unlock the panel.

Please Note: When the control panel is locked, none of the buttons will work except the unlock key.

Button 7 (Down Arrow)

Radio search (lower frequency)

music track (previous song)

volume decrease.

Button 8 (Power Button)

Simply press the power button to switch on your control panel and once more to switch off your control panel.

Once your control panel has been switched off the O3 system will automatically start and you will see "03" on your control panel.

Need Help?

If so then simply download Insignia's free comprehensive help and troubleshooting brochure now!

Simply visit: www.insigniarange.co.uk/help.aspx



**INSIGNIA PRODUCTS
HELP I HAVE PROBLEMS AND
NEED ANSWERS NOW!**



PLEASE KEEP IN SAFE PLACE

www.insigniarange.co.uk

Parts List

Internal Items

Part Code	Part Description
SP027	Monsoon Shower head
SP078	Ozone Module (for Steam Showers)
SP048	Massage jet—2 open ends
SP048A	Massage jet—1 open, 1 closed
SP236	Riser bar
SP112	Shower holder (warranty only)
SP120	Water inlet (warranty only)
SP229	Shower waste
SP097	Chrome rectangular door handles
SP240	Glass Shelf
SP080	Head rest
SP050	Seat rest
SP196	Thermo sensor holder
SP072	Door stoppers
SP023	8 Pack Door Wheels
SP011	Twin Door Wheels (Single)
SP012	Push Button Door Wheel (Single)
SP034	Tri-jet System
SP105	Chrome Flexible Hose
SP060	Electrical extension cable
SP036	Speaker
SP039	Fan (Model Dependent)

SP037	Speaker cover
SP042	SUN Control panel
SP227	Microphone style hand shower
Sp166	Approximately 4 meters of
SP270	Chromotherapy Lighting
SP185	Bath Filler
SP059	Air valve operation switch
SP098	Chrome air jet
SP052	Whirlpool pump switch

Glass

Part Code	Part Description
INS8059L-9	Right Backwall (rectangle piece)
INS8059L-10	Front Fixed Glass (Angled Piece)
INS8059L-11	Front Fixed Glass (Curved)
INS8059L-12	Glass Door
INS8059L-8	Back Wall Left (angled Piece)

Framework

Part Code	Part Description
INS8059L-4	Column (Blank)
INS8059L-7	Top & Bottom Door Rail
INS8059L-6	Bottom Door Rail
INS8059L-5	Top Door Rail
INS8059L-14	Front Fixed Upright (Right Flat)
INS8059LRC	Roof Cover

External Items

Part Code	Part Description
SP300	Waste hose
SP301	White insulated pipe
SP187	Drain Hose
SP040	steam generator/electric
SP153	4 port—3 feed thermo-static valve
SP126	4 Port Selector Cartridge
SP045	On/Off Water Mixer Valve
SP182	Vernet Screw Fit Thermostatic Cartridge
SP043	Plastic Thermostatic Valve Safety Lock Ring
SP309	Rear door seal
SP312	Magnetic door seals

All images are registered with
ImageTraker

All images are subject to copyright. Images may not be used in any way shape or form with out written permission from Maclean International Ltd. Images are NOT permitted to be saved, printed or uploaded. Violation of copyright laws are punishable by law.

Insignia™ is a registered trademark of Maclean International Ltd